



## MULTICOUPLINGS CATALOG





Series	Page
<b>PDP4 ISO 12.5</b>	5
<b>PDP4 N ISO 12.5</b>	11
<b>PSF2 ISO 10</b>	17
<b>PSF4 ISO 10</b>	22
<b>PSF4 ISO 12.5</b>	27
<b>PSF4 ISO 12.5 + ELECTRICAL CONNECTOR</b>	32
<b>PSF4 ISO 12.5 - ISO 19</b>	37
<b>PSF4 ISO 19 + ELECTRICAL CONNECTOR</b>	43
<b>PSF5 ISO 6.3 - ISO 10</b>	48
<b>PSF5 ISO 10 - ISO 12.5</b>	54
<b>PSF5 ISO 10 + ELECTRICAL CONNECTOR</b>	60
<b>PSL2 ISO 16 - ISO 19</b>	65
<b>PSL4 ISO 16 - ISO 19</b>	70
<b>PSL6 ISO 16 - ISO 19</b>	75
<b>PSQ2 ISO 10</b>	80
<b>PSQ4 ISO 10</b>	86
<b>PSQ6 ISO 10</b>	92
<b>PSW4 ISO 10</b>	98



## IMPORTANT

All data contained in the catalogue is indicative, and subject to change at the discretion of DNP without notice at any time.



## Technical data

E

- Interchange: Stucchi DP4
- Occlusion: flat face
- Locking: lever with safety device
- Material: steel and aluminum
- Finishing: Zn-Fe (Cr III), Zn-Ni, cataphoresis
- Threads: BSP-NPT-SAE-METRICS
- Standard seals: NBR and PU
- Working temperature: -25°C+100°C
- Optional seals: FKM, EPDM or more.
- Working pressure: 350 bar
- Connection under residual pressure: allowed (male side only)

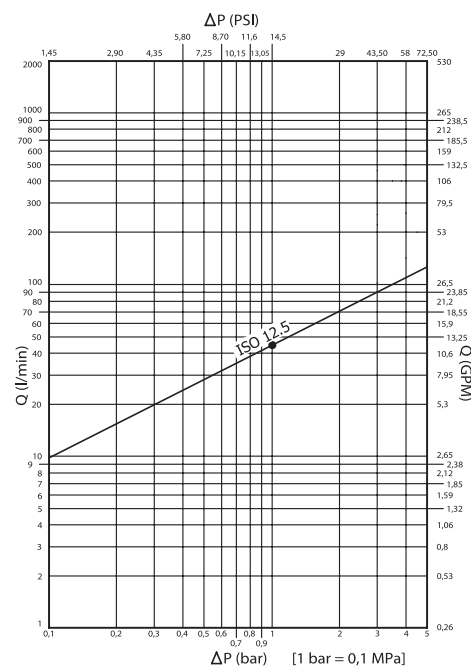
## Technische Merkmale

D

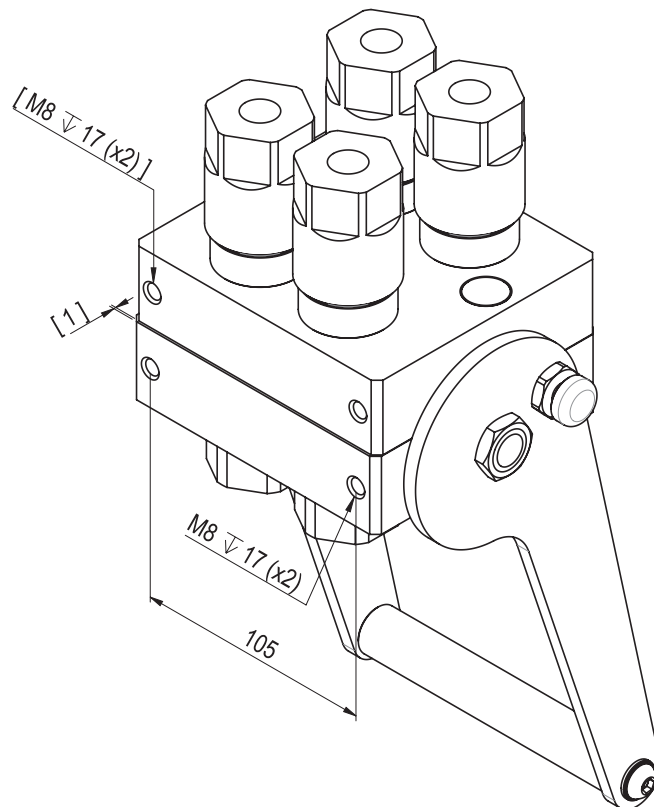
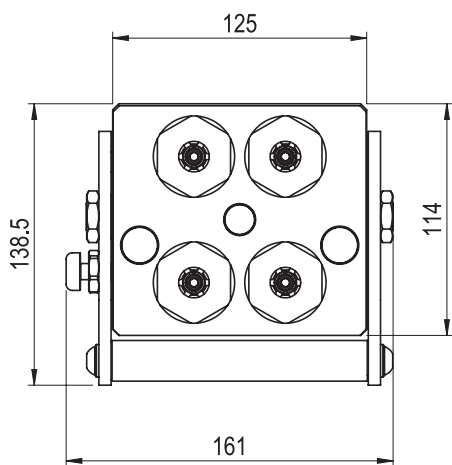
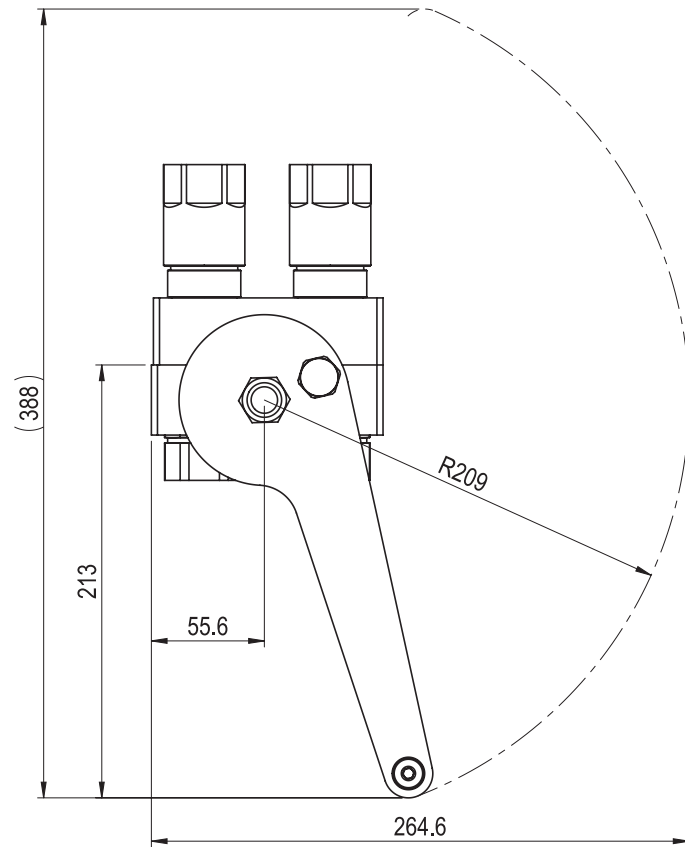
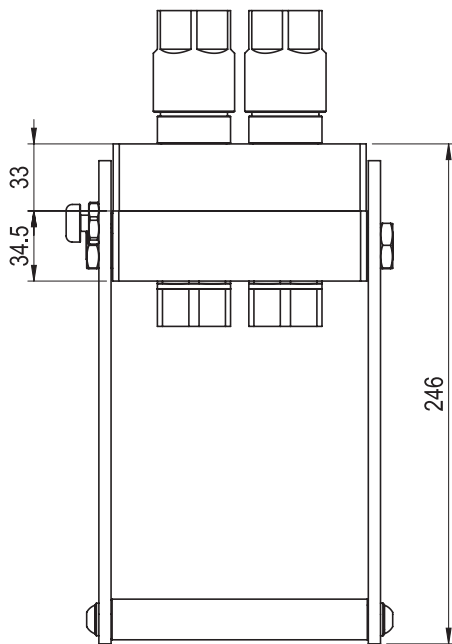
- Austauschbarkeit: Stucchi DP4
- Verschluss: flachdichtend
- Kupplung: Hebel mit doppelter Sicherung
- Werkstoff: Stahl und Aluminium
- Ausführung: Zn-Fe (Cr III), Zn-Ni, Kataphorese
- Gewinde: BSP-NPT-SAE-METRISCHE
- Standard-Dichtungen: NBR und PU
- Betriebstemperatur: -25°C+100°C
- Dichtungen nach Wahl: FKM, EPDM, usw.
- Betriebsdruck: 350 bar
- Kuppeln unter Restdruck: erlaubt (nur Steckerseite)

Nominal size				Max working pressure	Rated flow	Max flow rate	Min burst pressure			Fluid spillage
DNP	BG	ISO	Ømm				Male	Female	Coupled	
20	3	12.5	10.7	35 MPa	45 l/min	90 l/min	140 MPa	140 MPa	140 MPa	0.010 cc

1 MPa = 145.04 psi • 1 l = 0.264 gal



## PDP4 DIMENSION



## PDP4 FIXED



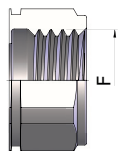
THREADS	DNP	BG	ISO	Housings	No. of Couplings	F	STANDARD	FIXED PART	
								CODE	Weight (g)
<b>IG 1</b>	20	3	12.5	4	4	BSP 1/2"	DIN 3852-2	PDP4.4GCG.2	3037
	20	3	12.5	4	4	NPT 1/2"	ANSI B1.20.1	PDP4.4GCN.2	3090
	20	3	12.5	4	4	BSP 3/4"	DIN 3852-2	PDP4.4GDG.2	2958
	20	3	12.5	4	4	NPT 3/4"	ANSI B1.20.1	PDP4.4GDN.2	2980
	20	3	12.5	4	4	M18x1.5	DIN 3852-1	PDP4.4GCM.2	3033
<b>IG 2</b>	20	3	12.5	4	4	M22x1.5	ISO 6149-1	PDP4.4GEF.2	2966
	20	3	12.5	4	4	M26x1.5	-	PDP4.4GGF.2	2953
	20	3	12.5	4	4	3/4"-16 UNF 2B	SAE J 1926-1	PDP4.4GCU.2	3005
	20	3	12.5	4	4	7/8"-14 UNF 2B	SAE J 1926-1	PDP4.4GGU.2	2923
	20	3	12.5	4	4	1"1/16-12 UN 2B	SAE J 1926-1	PDP4.4GDU.2	3055
<b>AG 2</b>	20	3	12.5	4	4	3/4"-16 UNF 2A	ISO 8434-2	PDP4.4GCV.2	2822
	20	3	12.5	4	4	7/8"-14 UNF 2A	ISO 8434-2	PDP4.4GGV.2	2920
	20	3	12.5	4	4	1"1/16-12 UN 2A	ISO 8434-2	PDP4.4GDV.2	2859
<b>AG 3</b>	20	3	12.5	4	4	M18x1.5-12L	ISO 8434-1-L	PDP4.4GCL.2	2789
	20	3	12.5	4	4	M22x1.5-15L	ISO 8434-1-L	PDP4.4GEL.2	2809
	20	3	12.5	4	4	M26x1.5-18L	ISO 8434-1-L	PDP4.4GGL.2	2834
	20	3	12.5	4	4	M18x1.5-10S	ISO 8434-1-S	PDP4.4GCS.2	2804
	20	3	12.5	4	4	M20x1.5-12S	ISO 8434-1-S	PDP4.4GDS.2	2815
	20	3	12.5	4	4	M22x1.5-14S	ISO 8434-1-S	PDP4.4GES.2	2831
20	3	12.5	4	4	M24x1.5-16S	ISO 8434-1-S	PDP4.4GFS.2	2842	

## PDP4 MOBILE

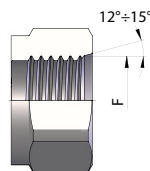


THREADS	DNP	BG	ISO	Housings	No. of Couplings	F	STANDARD	MOBILE PART	
								CODE	Weight (g)
<b>IG 1</b>	20	3	12.5	4	4	BSP 1/2"	DIN 3852-2	PDP4.4GCG.3	3038
	20	3	12.5	4	4	NPT 1/2"	ANSI B1.20.1	PDP4.4GCN.3	3050
	20	3	12.5	4	4	BSP 3/4"	DIN 3852-2	PDP4.4GDG.3	2914
	20	3	12.5	4	4	NPT 3/4"	ANSI B1.20.1	PDP4.4GDN.3	2947
	20	3	12.5	4	4	M18x1.5	DIN 3852-1	PDP4.4GCM.3	3057
<b>IG 2</b>	20	3	12.5	4	4	M22x1.5	ISO 6149-1	PDP4.4GEF.3	2988
	20	3	12.5	4	4	M26x1.5	-	PDP4.4GGF.3	2904
	20	3	12.5	4	4	3/4"-16 UNF 2B	SAE J 1926-1	PDP4.4GCU.3	2948
	20	3	12.5	4	4	7/8"-14 UNF 2B	SAE J 1926-1	PDP4.4GGU.3	2888
	20	3	12.5	4	4	1"1/16-12 UN 2B	SAE J 1926-1	PDP4.4GDU.3	2968
<b>AG 2</b>	20	3	12.5	4	4	3/4"-16 UNF 2A	ISO 8434-2	PDP4.4GCV.3	2813
	20	3	12.5	4	4	7/8"-14 UNF 2A	ISO 8434-2	PDP4.4GGV.3	2874
	20	3	12.5	4	4	1"1/16-12 UN 2A	ISO 8434-2	PDP4.4GDV.3	2849
<b>AG 3</b>	20	3	12.5	4	4	M18x1.5-12L	ISO 8434-1-L	PDP4.4GCL.3	2733
	20	3	12.5	4	4	M22x1.5-15L	ISO 8434-1-L	PDP4.4GEL.3	2754
	20	3	12.5	4	4	M26x1.5-18L	ISO 8434-1-L	PDP4.4GGL.3	2786
	20	3	12.5	4	4	M18x1.5-10S	ISO 8434-1-S	PDP4.4GCS.3	2760
	20	3	12.5	4	4	M20x1.5-12S	ISO 8434-1-S	PDP4.4GDS.3	2769
	20	3	12.5	4	4	M22x1.5-14S	ISO 8434-1-S	PDP4.4GES.3	2786
20	3	12.5	4	4	M24x1.5-16S	ISO 8434-1-S	PDP4.4GFS.3	2799	

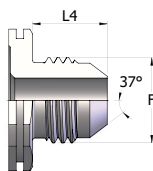
THREADS



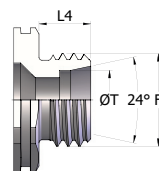
IG 1



IG 2



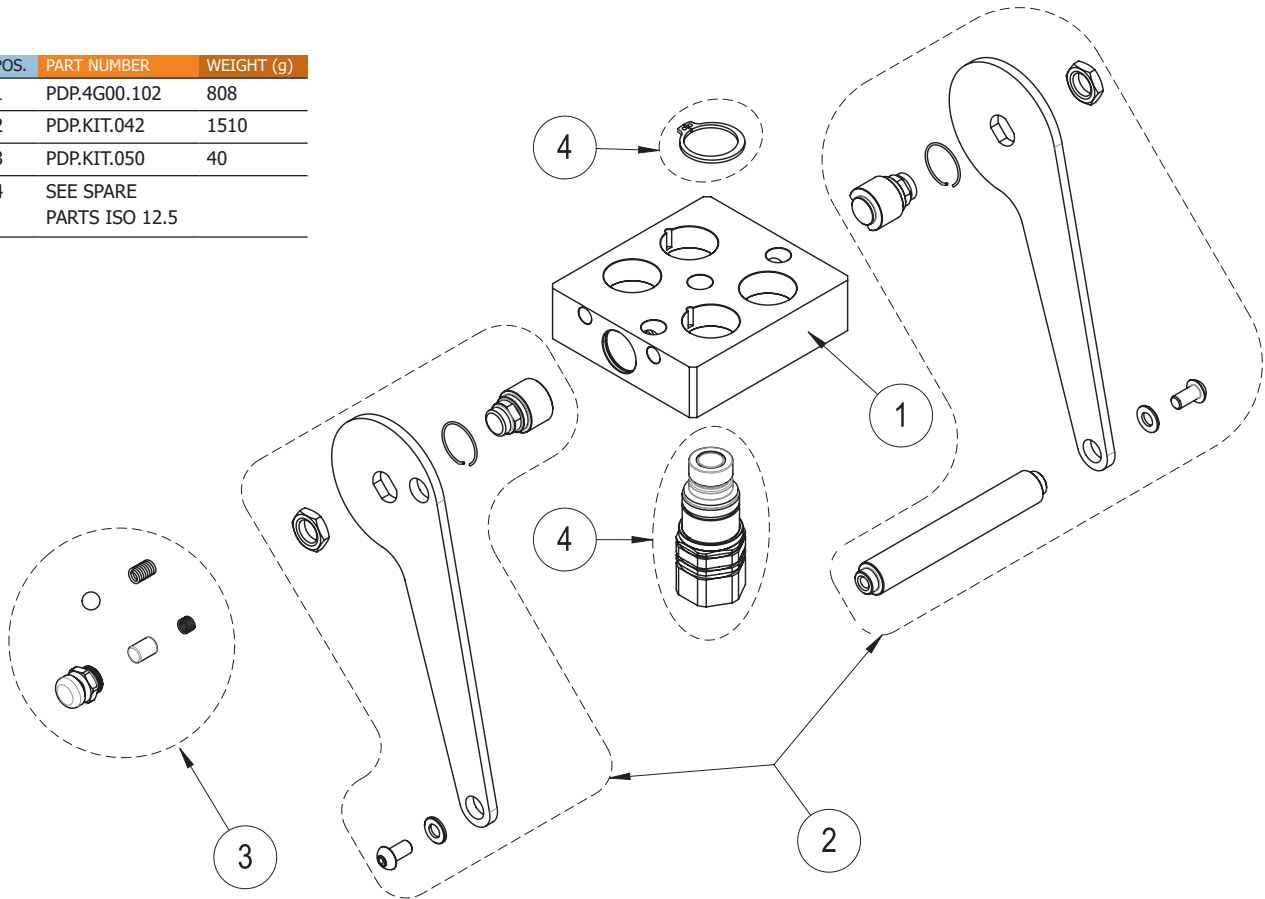
AG 2



AG 3

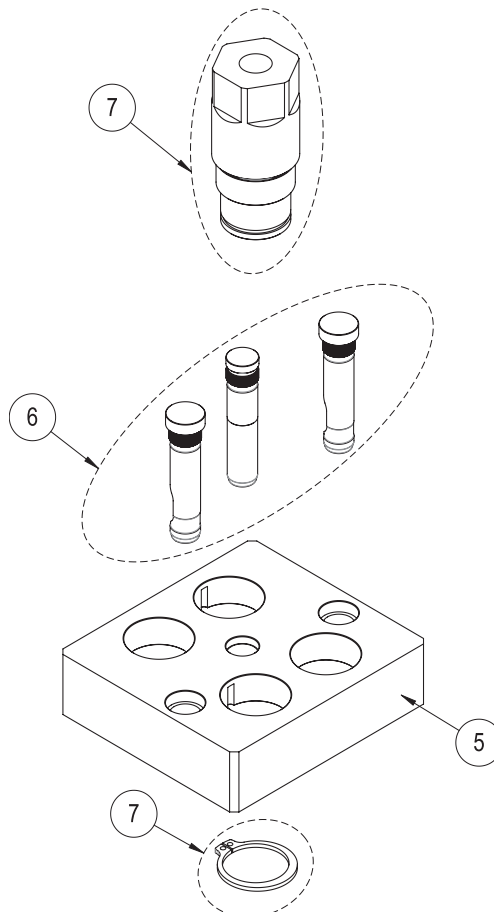
## SPARE PARTS FIXED PLATE PDP4

POS.	PART NUMBER	WEIGHT (g)
1	PDP.4G00.102	808
2	PDP.KIT.042	1510
3	PDP.KIT.050	40
4	SEE SPARE PARTS ISO 12.5	

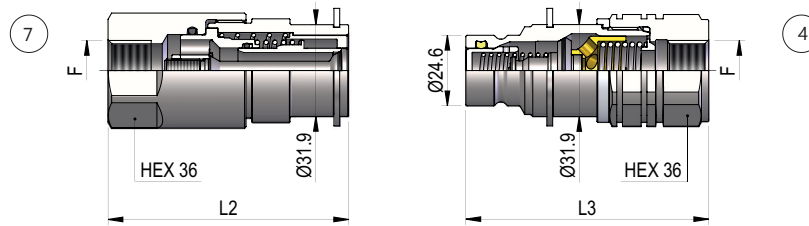


## SPARE PARTS MOBILE PLATE PDP4

POS.	PART NUMBER	WEIGHT (g)
5	PDP.4G00.103	794
6	PDP.KIT.017	230
7	SEE SPARE PARTS ISO 12.5	

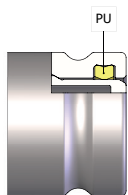


## SPARE PARTS ISO 12.5 COUPLINGS



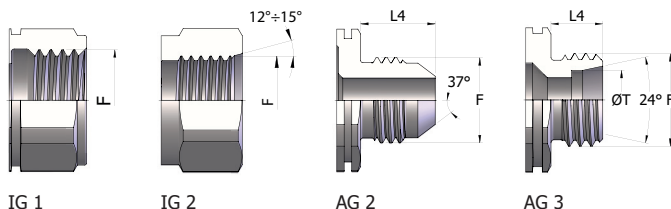
THREADS	DNP	BG	ISO	L2	L3	L4	ØT	F	STANDARD	SPARE PARTS			
										FEMALE - MUFFE		MALE - STECKER	
										COD. F	Weight (g)	COD. M	Weight (g)
<b>IG 1</b>	20	3	12.5	83.7	84.5			BSP 1/2"	DIN 3852-2	POT4.2013.112 R	640	POT4.2013.113 R	362
	20	3	12.5	83.7	86			NPT 1/2"	ANSI B1.20.1	POT4.2013.012 R	643	POT4.2013.013 R	375
	20	3	12.5	83.7	86.5			BSP 3/4"	DIN 3852-2	POT4.2019.112 R	609	POT4.2019.113 R	342
	20	3	12.5	83.7	86			NPT 3/4"	ANSI B1.20.1	POT4.2019.012 R	617	POT4.2019.013 R	347
	20	3	12.5	82.7	82.5			M18x1.5	DIN 3852-1	POT4.2018.102 R	645	POT4.2018.103 R	361
<b>IG 2</b>	20	3	12.5	82.7	82			M22x1.5	ISO 6149-1	POT4.2022.102 R	628	POT4.2022.103 R	344
	20	3	12.5	83.7	86			M26x1.5	-	POT4.2026.102 R	607	POT4.2026.103 R	341
	20	3	12.5	79.7	82			3/4"-16 UNF 2B	SAE J 1926-1	POT4.2019.032 R	618	POT4.2019.033 R	354
	20	3	12.5	83.7	86			1"1/16-16 UN 2B	SAE J 1926-1	POT4.2023.032 R	623	POT4.2023.033 R	366
	20	3	12.5	81.7	86			7/8"-14 UNF 2B	SAE J 1926-1	POT4.2027.032 R	603	POT4.2027.033 R	333
<b>AG 2</b>	20	3	12.5	87.5	87.7	16.7		3/4"-16 UNF 2A	ISO 8434-2	POT4.2019.302 R	584	POT4.2019.303 R	308
	20	3	12.5	92.7	93	19.3		7/8"-14 UNF 2A	ISO 8434-2	POT4.2023.302 R	593	POT4.2023.303 R	317
	20	3	12.5	90	90.3	22		1"1/16-16 UN 2A	ISO 8434-2	POT4.2027.302 R	599	POT4.2027.303 R	332
<b>AG 3</b>	20	3	12.5	81.7	82	11	12L	M18x1.5	ISO 8434-1-L	POT4.2018.302 R	564	POT4.2018.303 R	300
	20	3	12.5	82.7	83	12	15L	M22x1.5	ISO 8434-1-L	POT4.2022.302 R	569	POT4.2022.303 R	305
	20	3	12.5	82.7	83	12	18L	M26x1.5	ISO 8434-1-L	POT4.2026.302 R	577	POT4.2026.303 R	311
	20	3	12.5	82.7	83	12	10S	M18x1.5	ISO 8434-1-S	POT4.2018.402 R	571	POT4.2018.403 R	303
	20	3	12.5	82.7	83	12	12S	M20x1.5	ISO 8434-1-S	POT4.2020.402 R	573	POT4.2020.403 R	306
	20	3	12.5	84.7	85	14	14S	M22x1.5	ISO 8434-1-S	POT4.2022.402 R	577	POT4.2022.403 R	310
	20	3	12.5	84.7	85	14	16S	M24x1.5	ISO 8434-1-S	POT4.2024.402 R	580	POT4.2024.403 R	313

## SPARE PARTS SEALS



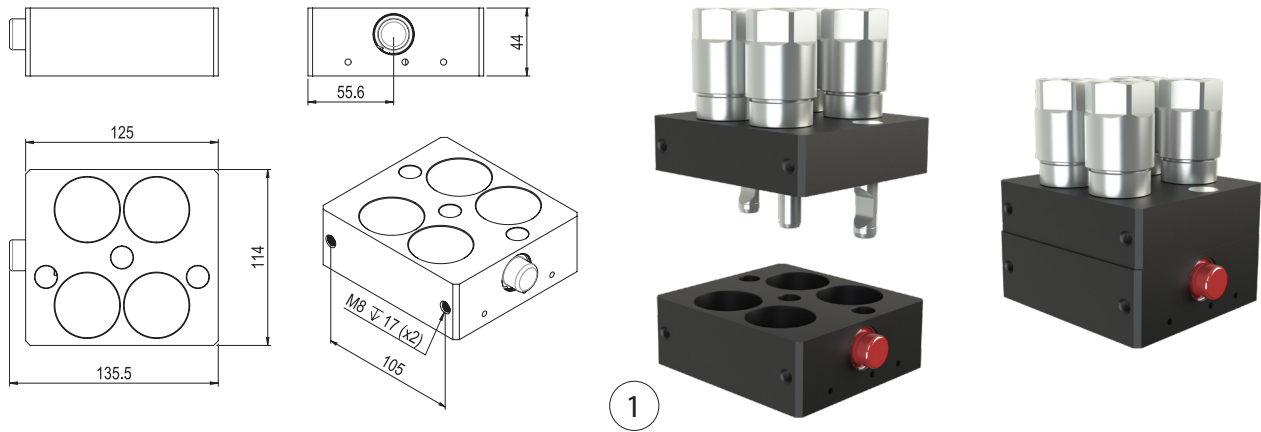
NOMINAL SIZE			MALE GASKET
DNP	BG	ISO	PU(POLYURETHANE)
20	3	12.5	PVT.019.210

THREADS



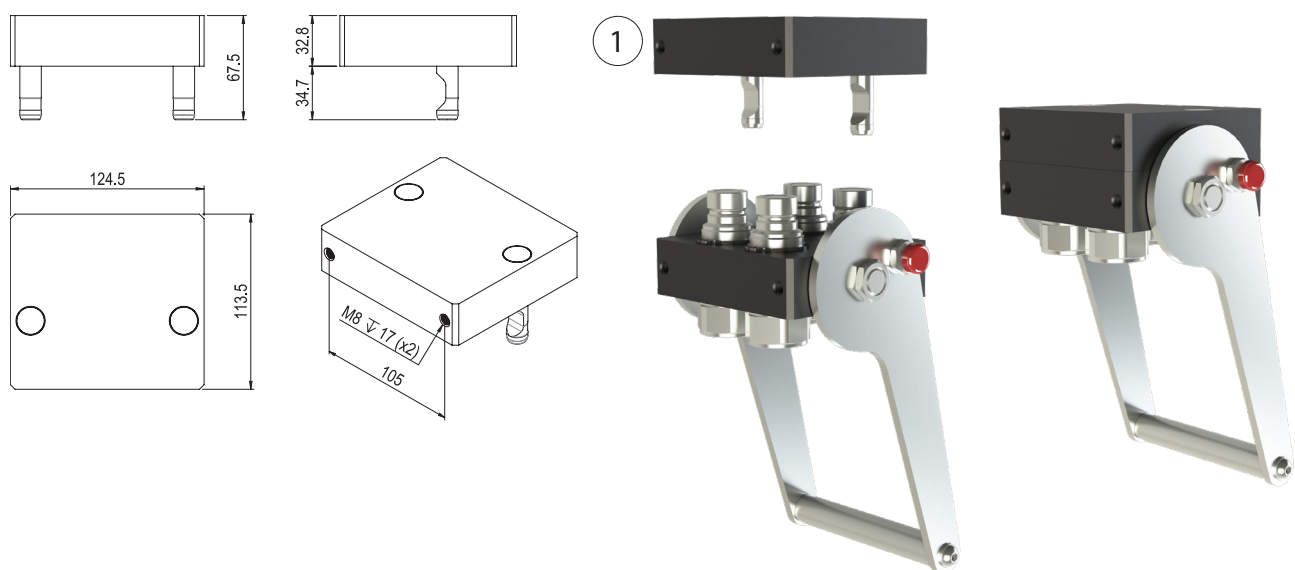
## DOCKING STATION

POS.	PART NUMBER	WEIGHT (g)
1	PPDP.340	1070



## PLATE CAP

POS.	PART NUMBER	WEIGHT (g)
1	SPDP.240	900





## Technical data

E

- Interchange: Stucchi DP4
- Occlusion: flat face
- Locking: lever with safety device
- Material: steel and aluminum
- Finishing: Zn-Fe (Cr III), Zn-Ni, cataphoresis
- Threads: BSP-NPT-SAE-METRICS
- Standard seals: NBR and PU
- Working temperature: -25°C+100°C
- Optional seals: FKM, EPDM or more.
- Working pressure: 350 bar
- Connection under residual pressure: allowed (male side only)

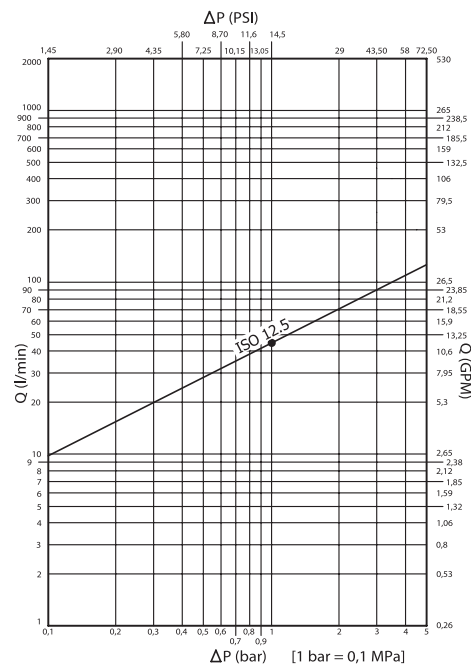
## Technische Merkmale

D

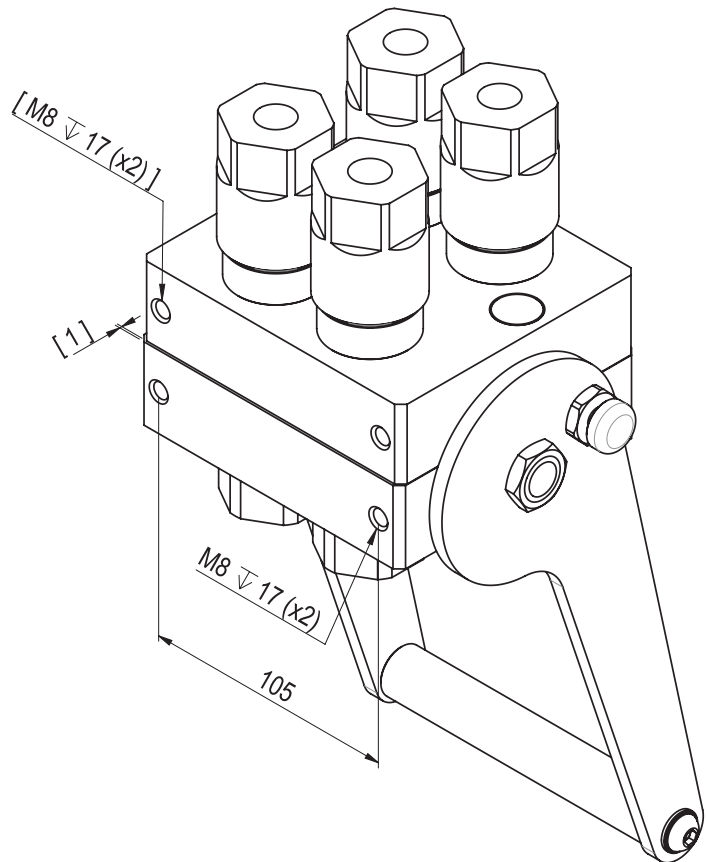
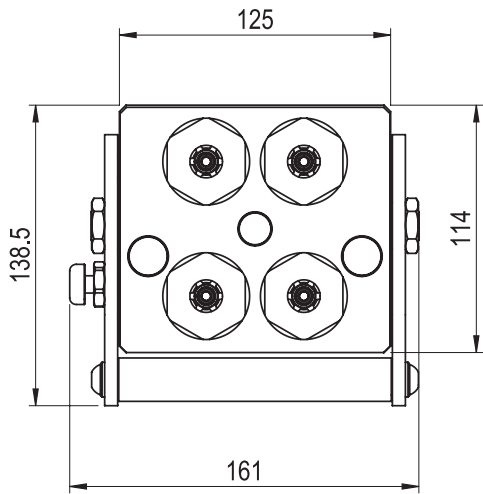
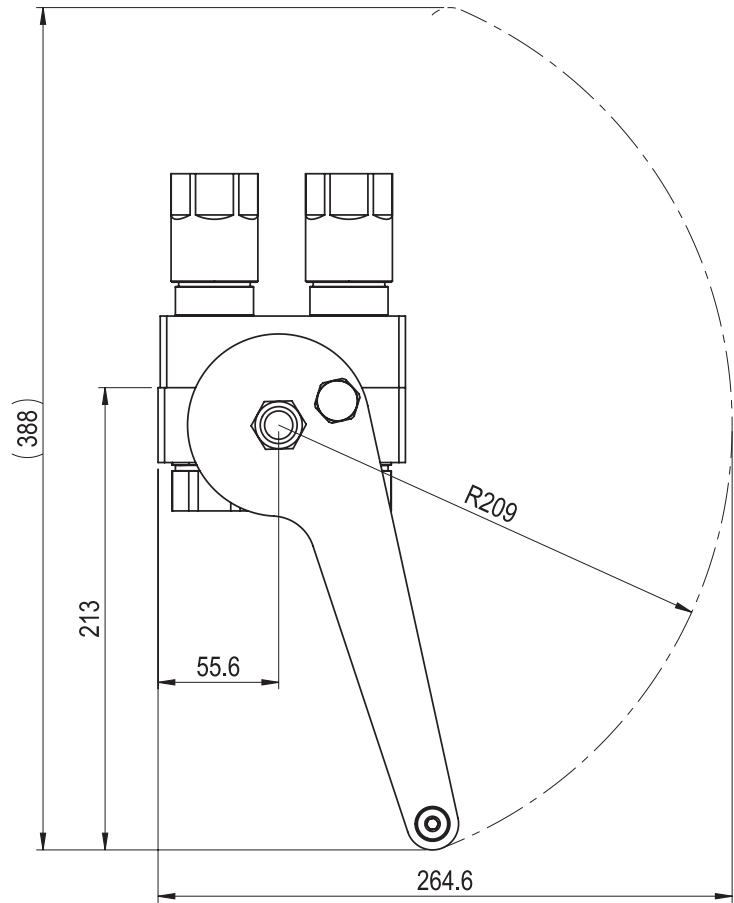
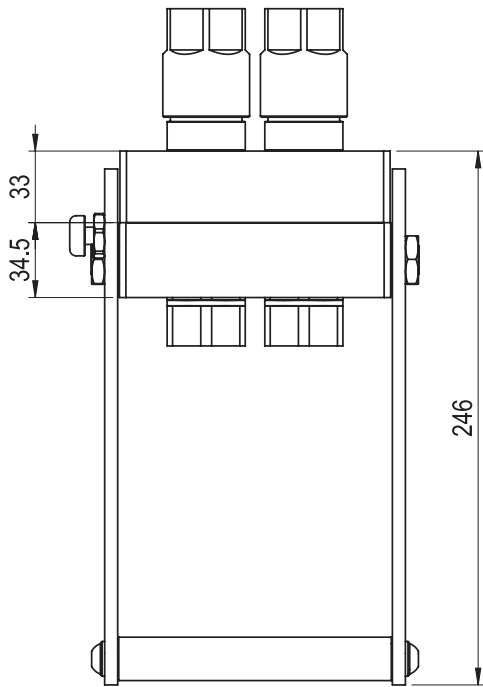
- Austauschbarkeit: Stucchi DP4
- Verschluss: flachdichtend
- Kupplung: Hebel mit doppelter Sicherung
- Werkstoff: Stahl und Aluminium
- Ausführung: Zn-Fe (Cr III), Zn-Ni, Kataphorese
- Gewinde: BSP-NPT-SAE-METRISCHE
- Standard-Dichtungen: NBR und PU
- Betriebstemperatur: -25°C+100°C
- Dichtungen nach Wahl: FKM, EPDM, usw.
- Betriebsdruck: 350 bar
- Kuppeln unter Restdruck: erlaubt (nur Steckerseite)

Nominal size				Max working pressure	Rated flow	Max flow rate	Min burst pressure			Fluid spillage
DNP	BG	ISO	Ømm				Male	Female	Coupled	
20	3	12.5	10.7	35 MPa	45 l/min	90 l/min	140 MPa	140 MPa	140 MPa	0.010 cc

1 MPa = 145.04 psi • 1 l = 0.264 gal



## PDP4 N DIMENSION



## PDP4 N FIXED



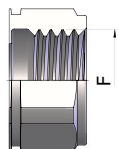
THREADS	DNP	BG	ISO	Housings	No. of Couplings	F	STANDARD	FIXED PART	
								CODE	Weight (g)
<b>IG 1</b>	20	3	12.5	4	4	BSP 1/2"	DIN 3852-2	PDP4.4GCG.2 N	3091
	20	3	12.5	4	4	NPT 1/2"	ANSI B1.20.1	PDP4.4GCN.2 N	3144
	20	3	12.5	4	4	BSP 3/4"	DIN 3852-2	PDP4.4GDG.2 N	3012
	20	3	12.5	4	4	NPT 3/4"	ANSI B1.20.1	PDP4.4GDN.2 N	3034
	20	3	12.5	4	4	M18x1.5	DIN 3852-1	PDP4.4GCM.2 N	3087
<b>IG 2</b>	20	3	12.5	4	4	M22x1.5	ISO 6149-1	PDP4.4GEF.2 N	3019
	20	3	12.5	4	4	M26x1.5	-	PDP4.4GGF.2 N	3007
	20	3	12.5	4	4	3/4"-16 UNF 2B	SAE J 1926-1	PDP4.4GCU.2 N	3059
	20	3	12.5	4	4	7/8"-14 UNF 2B	SAE J 1926-1	PDP4.4GGU.2 N	3109
	20	3	12.5	4	4	1"1/16-16 UN 2B	SAE J 1926-1	PDP4.4GDU.2 N	2976
<b>AG 2</b>	20	3	12.5	4	4	3/4"-16 UNF 2A	ISO 8434-2	PDP4.4GCV.2 N	2876
	20	3	12.5	4	4	7/8"-14 UNF 2A	ISO 8434-2	PDP4.4GGV.2 N	2912
	20	3	12.5	4	4	1"1/16-12 UN 2A	ISO 8434-2	PDP4.4GDV.2 N	2974
<b>AG 3</b>	20	3	12.5	4	4	M18x1.5-12L	ISO 8434-1-L	PDP4.4GCL.2 N	2843
	20	3	12.5	4	4	M22x1.5-15L	ISO 8434-1-L	PDP4.4GEL.2 N	2862
	20	3	12.5	4	4	M26x1.5-18L	ISO 8434-1-L	PDP4.4GGL.2 N	2887
	20	3	12.5	4	4	M18x1.5-10S	ISO 8434-1-S	PDP4.4GCS.2 N	2858
	20	3	12.5	4	4	M20x1.5-12S	ISO 8434-1-S	PDP4.4GDS.2 N	2869
	20	3	12.5	4	4	M22x1.5-14S	ISO 8434-1-S	PDP4.4GES.2 N	2884
	20	3	12.5	4	4	M24x1.5-16S	ISO 8434-1-S	PDP4.4GFS.2 N	2895

## PDP4 N MOBILE

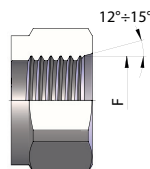


THREADS	DNP	BG	ISO	Housings	No. of Couplings	F	STANDARD	MOBILE PART	
								CODE	Weight (g)
<b>IG 1</b>	20	3	12.5	4	4	BSP 1/2"	DIN 3852-2	PDP4.4GCG.3 N	3135
	20	3	12.5	4	4	NPT 1/2"	ANSI B1.20.1	PDP4.4GCN.3 N	3146
	20	3	12.5	4	4	BSP 3/4"	DIN 3852-2	PDP4.4GDG.3 N	3010
	20	3	12.5	4	4	NPT 3/4"	ANSI B1.20.1	PDP4.4GDN.3 N	3044
	20	3	12.5	4	4	M18x1.5	DIN 3852-1	PDP4.4GCM.3 N	3153
<b>IG 2</b>	20	3	12.5	4	4	M22x1.5	ISO 6149-1	PDP4.4GEF.3 N	3084
	20	3	12.5	4	4	M26x1.5	-	PDP4.4GGF.3 N	3000
	20	3	12.5	4	4	3/4"-16 UNF 2B	SAE J 1926-1	PDP4.4GCU.3 N	3044
	20	3	12.5	4	4	7/8"-14 UNF 2B	SAE J 1926-1	PDP4.4GGU.3 N	3065
	20	3	12.5	4	4	1"1/16-12 UN 2B	SAE J 1926-1	PDP4.4GDU.3 N	2984
<b>AG 2</b>	20	3	12.5	4	4	3/4"-16 UNF 2A	ISO 8434-2	PDP4.4GCV.3 N	2910
	20	3	12.5	4	4	7/8"-14 UNF 2A	ISO 8434-2	PDP4.4GGV.3 N	2946
	20	3	12.5	4	4	1"1/16-12 UN 2A	ISO 8434-2	PDP4.4GDV.3 N	2971
<b>AG 3</b>	20	3	12.5	4	4	M18x1.5-12L	ISO 8434-1-L	PDP4.4GCL.3 N	2830
	20	3	12.5	4	4	M22x1.5-15L	ISO 8434-1-L	PDP4.4GEL.3 N	2851
	20	3	12.5	4	4	M26x1.5-18L	ISO 8434-1-L	PDP4.4GGL.3 N	2883
	20	3	12.5	4	4	M18x1.5-10S	ISO 8434-1-S	PDP4.4GCS.3 N	2856
	20	3	12.5	4	4	M20x1.5-12S	ISO 8434-1-S	PDP4.4GDS.3 N	2866
	20	3	12.5	4	4	M22x1.5-14S	ISO 8434-1-S	PDP4.4GES.3 N	2882
	20	3	12.5	4	4	M24x1.5-16S	ISO 8434-1-S	PDP4.4GFS.3 N	2895

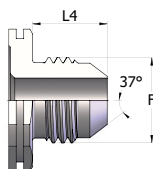
THREADS



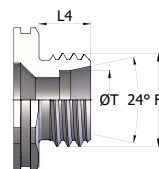
IG 1



IG 2



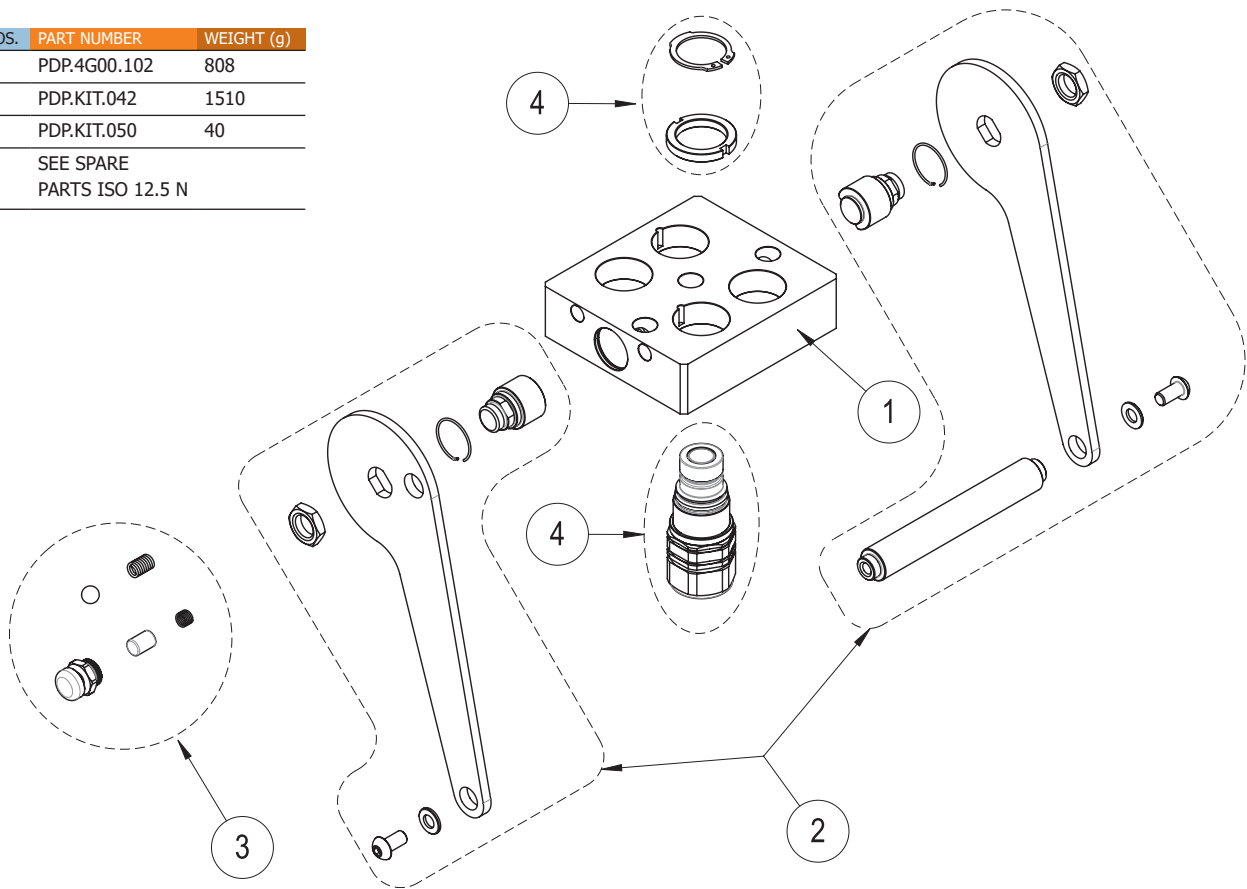
AG 2



AG 3

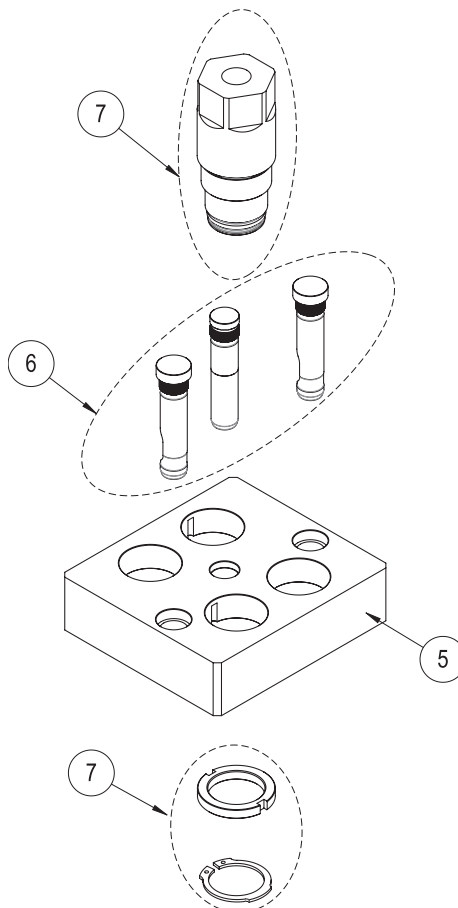
## SPARE PARTS FIXED PLATE PDP4 N

POS.	PART NUMBER	WEIGHT (g)
1	PDP.4G00.102	808
2	PDP.KIT.042	1510
3	PDP.KIT.050	40
4	SEE SPARE PARTS ISO 12.5 N	

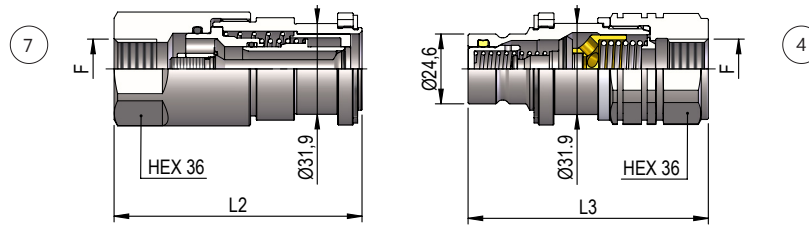


## SPARE PARTS MOBILE PLATE PDP4 N

POS.	PART NUMBER	WEIGHT (g)
5	PDP.4G00.103	794
6	PDP.KIT.017	230
7	SEE SPARE PARTS ISO 12.5 N	

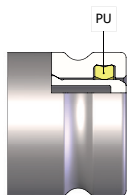


## SPARE PARTS ISO 12.5 COUPLINGS



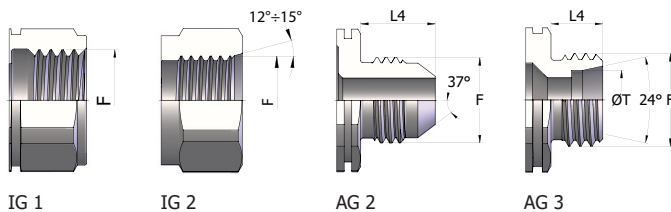
THREADS	DNP	BG	ISO	L2	L3	L4	ØT	F	STANDARD	SPARE PARTS			
										FEMALE - MUFFE		MALE - STECKER	
										COD. F	Weight (g)	COD. M	Weight (g)
<b>IG 1</b>	20	3	12.5	87.2	84.5			BSP 1/2"	DIN 3852-2	PDP4.2013.112 R	664	PDP4.2013.113 R	375
	20	3	12.5	87.2	86			NPT 1/2"	ANSI B1.20.1	PDP4.2013.012 R	667	PDP4.2013.013 R	388
	20	3	12.5	87.2	86.5			BSP 3/4"	DIN 3852-2	PDP4.2019.112 R	633	PDP4.2019.113 R	355
	20	3	12.5	87.2	86			NPT 3/4"	ANSI B1.20.1	PDP4.2019.012 R	642	PDP4.2019.013 R	361
	20	3	12.5	86.2	82.5			M18x1.5	DIN 3852-1	PDP4.2018.102 R	669	PDP4.2018.103 R	374
<b>IG 2</b>	20	3	12.5	86.2	82			M22x1.5	ISO 6149-1	PDP4.2022.102 R	652	PDP4.2022.103 R	357
	20	3	12.5	83.7	86			M26x1.5	-	PDP4.2026.102 R	631	PDP4.2026.103 R	354
	20	3	12.5	83.2	82			3/4"-16 UNF 2B	SAE J 1926-1	PDP4.2019.032 R	642	PDP4.2019.033 R	367
	20	3	12.5	87.2	86			7/8"-14 UNF 2B	SAE J 1926-1	PDP4.2023.032 R	647	PDP4.2023.033 R	380
	20	3	12.5	85.2	86			1"1/16-16 UN 2B	SAE J 1926-1	PDP4.2027.032 R	627	PDP4.2027.033 R	346
<b>AG 2</b>	20	3	12.5	87.4	87.7	16.7		3/4"-16 UNF 2A	ISO 8434-2	PDP4.2019.302 R	608	PDP4.2019.303 R	321
	20	3	12.5	90	93	19.3		7/8"-14 UNF 2A	ISO 8434-2	PDP4.2023.302 R	617	PDP4.2023.303 R	330
	20	3	12.5	92.7	90.3	22		1"1/16-16 UN 2A	ISO 8434-2	PDP4.2027.302 R	623	PDP4.2027.303 R	346
<b>AG 3</b>	20	3	12.5	85.2	82	11	12L	M18x1.5	ISO 8434-1-L	PDP4.2018.302 R	588	PDP4.2018.303 R	313
	20	3	12.5	86.2	83	12	15L	M22x1.5	ISO 8434-1-L	PDP4.2022.302 R	593	PDP4.2022.303 R	318
	20	3	12.5	86.2	83	12	18L	M26x1.5	ISO 8434-1-L	PDP4.2026.302 R	601	PDP4.2026.303 R	324
	20	3	12.5	86.2	83	12	10S	M18x1.5	ISO 8434-1-S	PDP4.2018.402 R	595	PDP4.2018.403 R	317
	20	3	12.5	86.2	83	12	12S	M20x1.5	ISO 8434-1-S	PDP4.2020.402 R	597	PDP4.2020.403 R	320
	20	3	12.5	88.2	85	14	14S	M22x1.5	ISO 8434-1-S	PDP4.2022.402 R	601	PDP4.2022.403 R	323
	20	3	12.5	88.2	85	14	16S	M24x1.5	ISO 8434-1-S	PDP4.2024.402 R	604	PDP4.2024.403 R	326

## SPARE PARTS SEALS



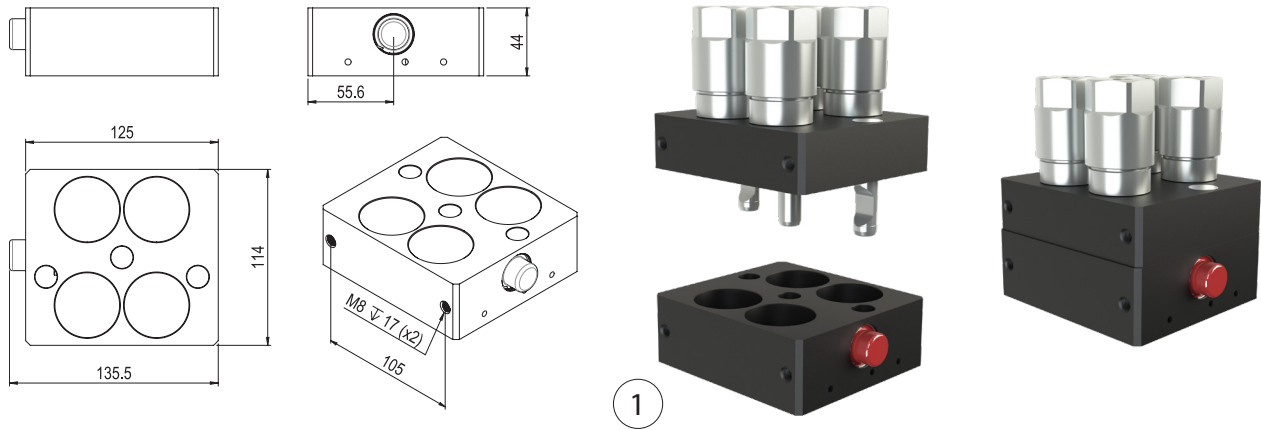
NOMINAL SIZE			MALE GASKET
DNP	BG	ISO	PU(POLYURETHANE)
20	3	12.5	PVT.019.210

THREADS



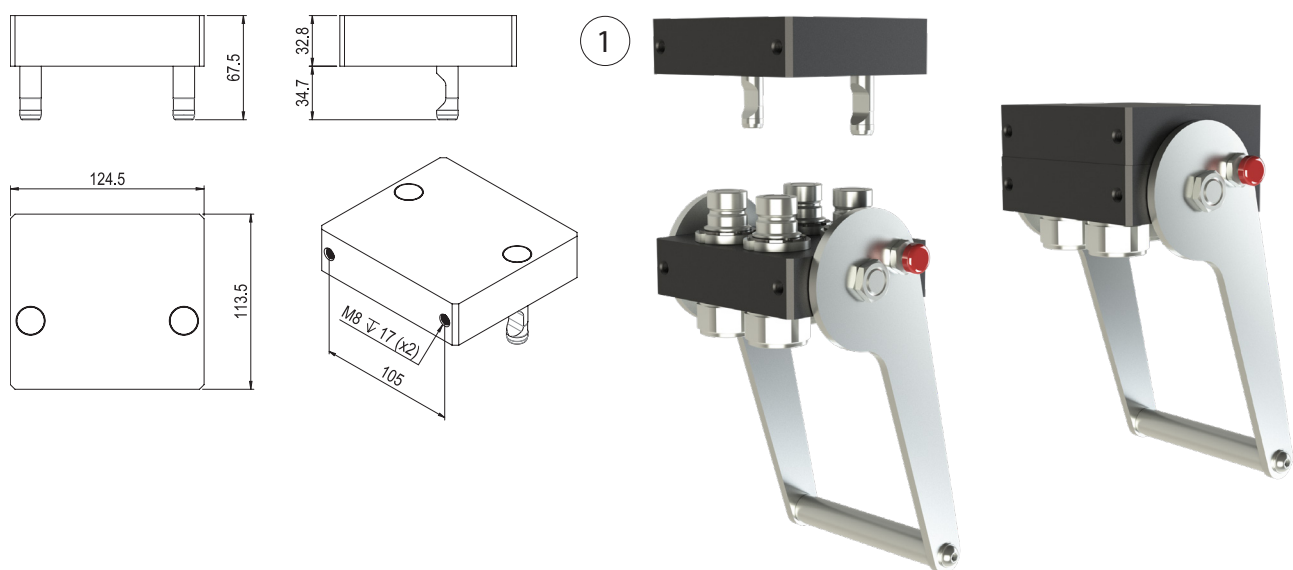
## DOCKING STATION

POS.	PART NUMBER	WEIGHT (g)
1	PPDP.340	1070



## PLATE CAP

POS.	PART NUMBER	WEIGHT (g)
1	SPDP.240	900





## Technical data

E

- Interchange: Faster P206
- Occlusion: flat face
- Locking: lever with safety device
- Material: steel and aluminum
- Finishing: Zn-Fe (Cr III), Anodizing
- Threads: BSP-NPT-SAE-METRICS
- Standard seals: NBR and PU
- Working temperature: -25°C+100°C
- Optional seals: FKM, EPDM or more.
- Working pressure: 250 bar
- Connection under residual pressure: allowed (male side only)

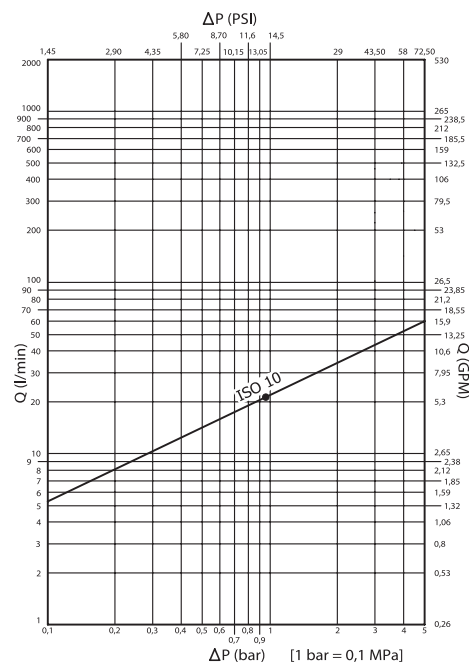
## Technische Merkmale

D

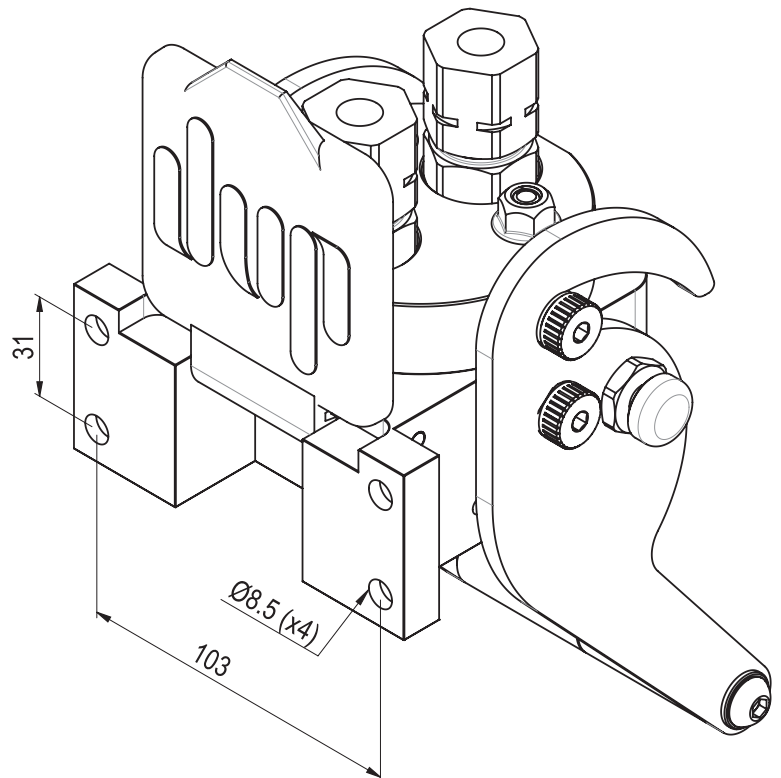
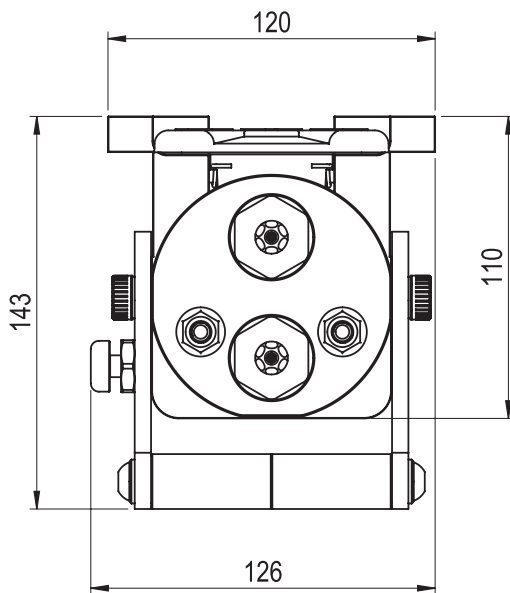
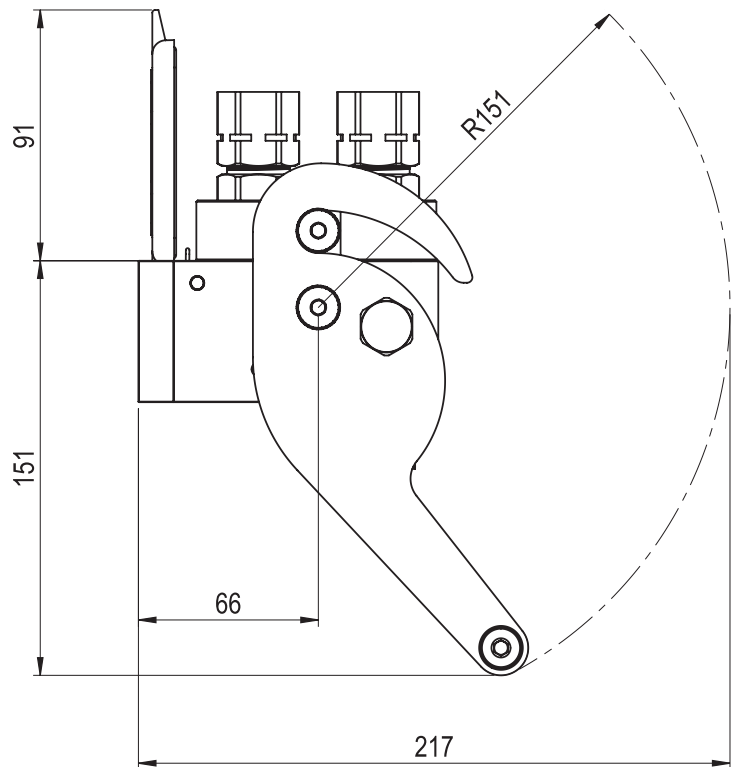
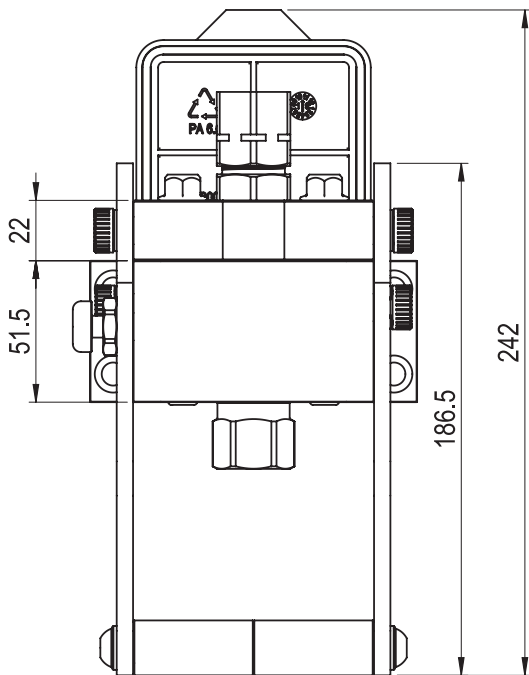
- Austauschbarkeit: Faster P206
- Verschluss: flachdichtend
- Kupplung: Hebel mit Sicherung
- Werkstoff: Stahl und Aluminium
- Ausführung: Zn-Fe (Cr III), Eloxiert
- Gewinde: BSP-NPT-SAE-METRISCHE
- Standard-Dichtungen: NBR und PU
- Betriebstemperatur: -25°C+100°C
- Dichtungen nach Wahl: FKM, EPDM, usw.
- Betriebsdruck: 250 bar
- Kuppeln unter Restdruck: erlaubt (nur Steckerseite)

Nominal size				Max working pressure	Rated flow	Max flow rate	Min burst pressure			Fluid spillage
DNP	BG	ISO	Ømm				Male	Female	Coupled	
13	2	10	8.6	25 MPa	23 l/min	46 l/min	120 MPa	120 MPa	120 MPa	0.010 cc

1 MPa = 145.04 psi • 1 l = 0.264 gal



## PSF2 DIMENSION



## PSF2 FIXED



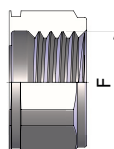
THREADS	DNP	BG	ISO	Housings	No. of Couplings	F	STANDARD	FIXED PART	
								CODE	Weight (g)
<b>IG 1</b>	13	2	10	2	2	BSP 3/8"	DIN 3852-2	PSF2.2CBG.2	2482
	13	2	10	2	2	BSP 1/2"	DIN 3852-2	PSF2.2CCG.2	2450
	13	2	10	2	2	NPT 3/8"	ANSI B1.20.1	PSF2.2CBN.2	2495
	13	2	10	2	2	NPT 1/2"	ANSI B1.20.1	PSF2.2CCN.2	2495
<b>IG 2</b>	13	2	10	2	2	9/16"-18 UNF 2B	SAE J 1926-1	PSF2.2CBU.2	2505
	13	2	10	2	2	3/4"-16 UNF 2B	SAE J 1926-1	PSF2.2CCU.2	2465
<b>AG 3</b>	13	2	10	2	2	M16x1.5-10L	ISO 8434-1-L	PSF2.2CBL.2	2505
	13	2	10	2	2	M18x1.5-12L	ISO 8434-1-L	PSF2.2CCL.2	2502
	13	2	10	2	2	M22x1.5-15L	ISO 8434-1-L	PSF2.2CEL.2	2510
	13	2	10	2	2	M20x1.5-12S	ISO 8434-1-S	PSF2.2CDS.2	2520
	13	2	10	2	2	M26x1.5-18L	ISO 8434-1-L	PSF2.2CGL.2	2525
<b>AG 4</b>	13	2	10	2	2	13/16"-16 UN	ISO 8434-3	PSF2.2CCO.2	2535

## PSF2 MOBILE

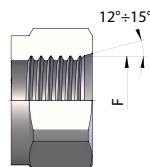


THREADS	DNP	BG	ISO	Housings	No. of Couplings	F	STANDARD	MOBILE PART	
								CODE	Weight (g)
<b>IG 1</b>	13	2	10	2	2	BSP 3/8"	DIN 3852-2	PSF2.2CBG.3	903
	13	2	10	2	2	BSP 1/2"	DIN 3852-2	PSF2.2CCG.3	885
	13	2	10	2	2	NPT 3/8"	ANSI B1.20.1	PSF2.2CBN.3	992
	13	2	10	2	2	NPT 1/2"	ANSI B1.20.1	PSF2.2CCN.3	960
<b>IG 2</b>	13	2	10	2	2	9/16"-18 UNF 2B	SAE J 1926-1	PSF2.2CBU.3	954
	13	2	10	2	2	3/4"-16 UNF 2B	SAE J 1926-1	PSF2.2CCU.3	939
<b>AG 3</b>	13	2	10	2	2	M16x1.5-10L	ISO 8434-1-L	PSF2.2CBL.3	852
	13	2	10	2	2	M18x1.5-12L	ISO 8434-1-L	PSF2.2CCL.3	854
	13	2	10	2	2	M22x1.5-15L	ISO 8434-1-L	PSF2.2CEL.3	864
	13	2	10	2	2	M20x1.5-12S	ISO 8434-1-S	PSF2.2CDS.3	895
	13	2	10	2	2	M26x1.5-18L	ISO 8434-1-L	PSF2.2CGL.3	873
<b>AG 4</b>	13	2	10	2	2	13/16"-16 UN	ISO 8434-3	PSF2.2CCO.3	882

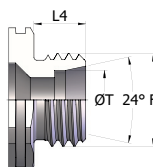
THREADS



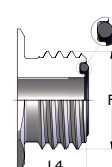
IG 1



IG 2



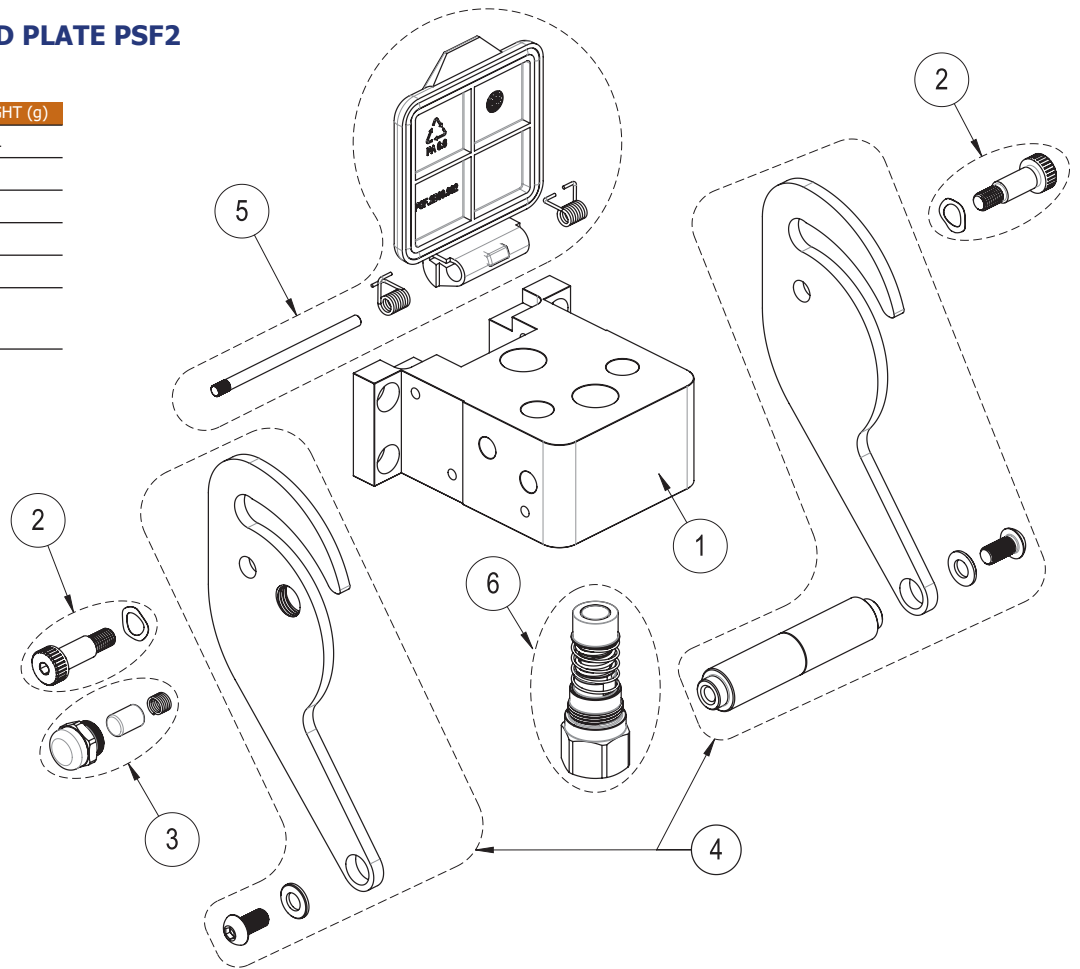
AG 3



AG 4

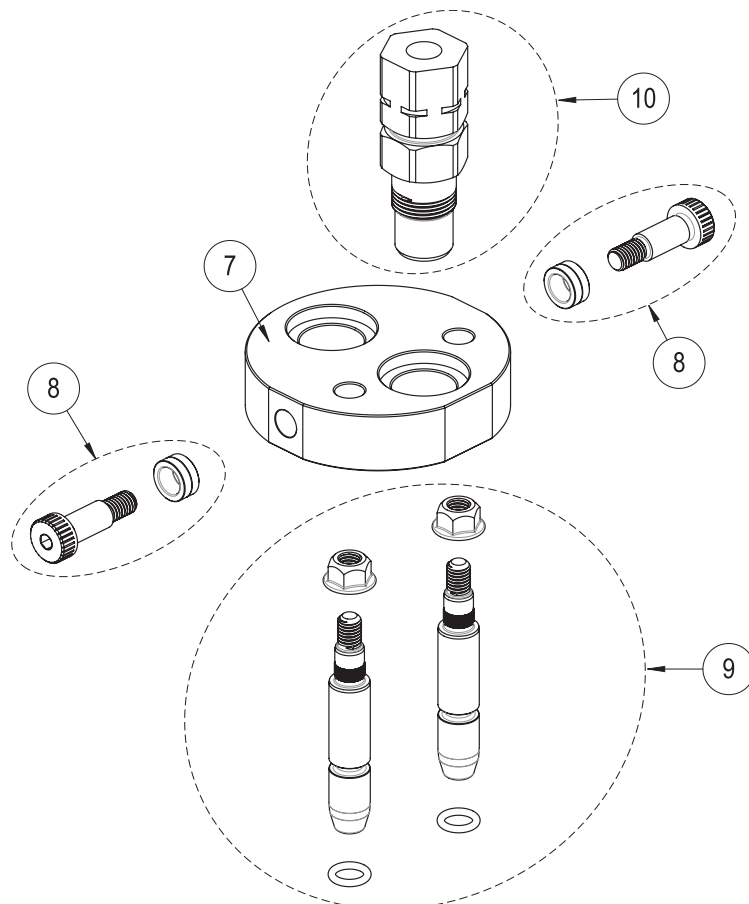
## SPARE PARTS FIXED PLATE PSF2

POS.	PART NUMBER	WEIGHT (g)
1	PSF.2B00.102	1011
2	PSQ.KIT.011	51
3	PSF.KIT.050	33
4	PSF.KIT.043	992
5	PSF.KIT.2902	83
6	SEE SPARE PARTS ISO 10	

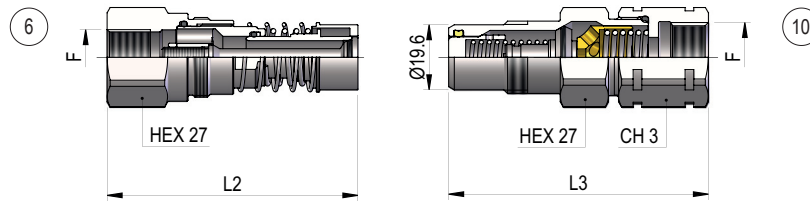


## SPARE PARTS MOBILE PLATE PSF2

POS.	PART NUMBER	WEIGHT (g)
7	PSF.2B00.103	295
8	PSF.KIT.020	61
9	PSF.KIT.017	169
10	SEE SPARE PARTS ISO 10	

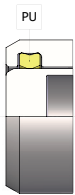


## SPARE PARTS ISO 10 COUPLINGS



THREADS	DNP	BG	ISO	L2	CH 3	L3	L4	ØT	F	STANDARD	SPARE PARTS			
											FEMALE - MUFFE		MALE - STECKER	
											COD. F	Weight (g)	COD. M	Weight (g)
<b>IG 1</b>	13	2	10	75.3	27	78			BSP 3/8"	DIN 3852-2	POF4.1310.112 R	150	POF4.1310.113	188
	13	2	10	75.3	27	78			BSP 1/2"	DIN 3852-2	POF4.1313.112 R	135	POF4.1313.113	179
	13	2	10	75.3	30	81			NPT 3/8"	ANSI B1.20.1	POF4.1310.012 R	160	POF4.1310.013	233
	13	2	10	79.3	30	81			NPT 1/2"	ANSI B1.20.1	POF4.1313.012 R	157	POF4.1313.013	217
<b>IG 2</b>	13	2	10	75.4	30	78			9/16"-18 UNF 2B	SAE J 1926-1	POF4.1315.032 R	162	POF4.1315.033	214
	13	2	10	75.3	30	78			3/4"-16 UNF 2B	SAE J 1926-1	POF4.1319.032 R	147	POF4.1319.033	206
<b>AG 3</b>	13	2	10	83.3	27	76	11	10L	M16x1.5	ISO 8434-1-L	POF4.1316.302 R	160	POF4.1316.303	163
	13	2	10	83.3	27	76	11	12L	M18x1.5	ISO 8434-1-L	POF4.1318.302 R	160	POF4.1318.303	164
	13	2	10	84.3	27	77	12	15L	M22x1.5	ISO 8434-1-L	POF4.1322.302 R	165	POF4.1322.303	169
	13	2	10	84.3	30	77	12	12S	M20x1.5	ISO 8434-1-S	POF4.1320.402 R	170	POF4.1320.403	184
	13	2	10	84.3	27	77	12	18L	M26x1.5	ISO 8434-1-L	POF4.1326.302 R	162	POF4.1326.303	173
<b>AG 4</b>	13	2	10	85.3	27	78	13		13/16"-16 UN	ISO 8434-3	POF4.1321.432 R	170	POF4.1321.433	178

## SPARE PARTS SEALS



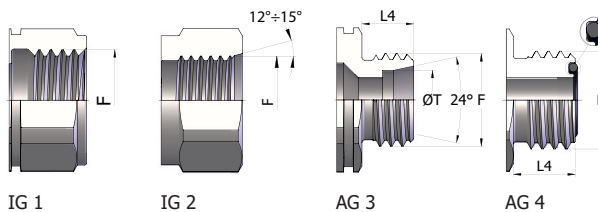
NOMINAL SIZE			MALE GASKET	
DNP	BG	ISO	PU(POLYURETHANE)	
13	2	10	PLK.013.210	

## PLUGS



NOMINAL SIZE			PART NUMBER	COLOR	MATERIAL
DNP	BG	ISO			
13	2	10	TPOF13	●	PVC

## THREADS





## Technical data

E

- Interchange: Faster P506
- Occlusion: flat face
- Locking: lever with safety device
- Material: steel and aluminum
- Finishing: Zn-Fe (Cr III), Anodizing
- Threads: BSP-NPT-SAE-METRICS
- Standard seals: NBR and PU
- Working temperature: -25°C+100°C
- Optional seals: FKM, EPDM or more.
- Working pressure: 250 bar
- Connection under residual pressure: allowed (male side only)

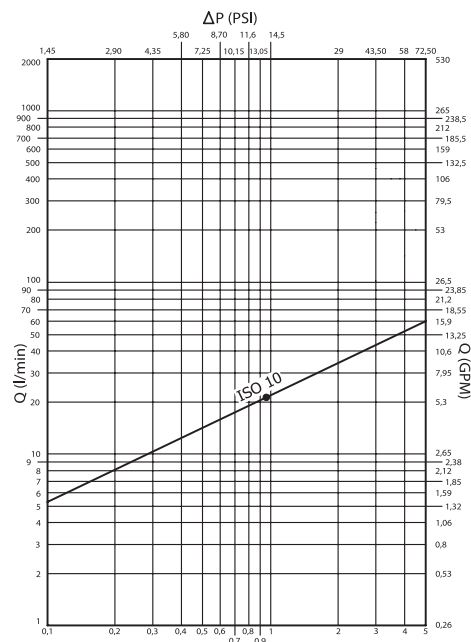
## Technische Merkmale

D

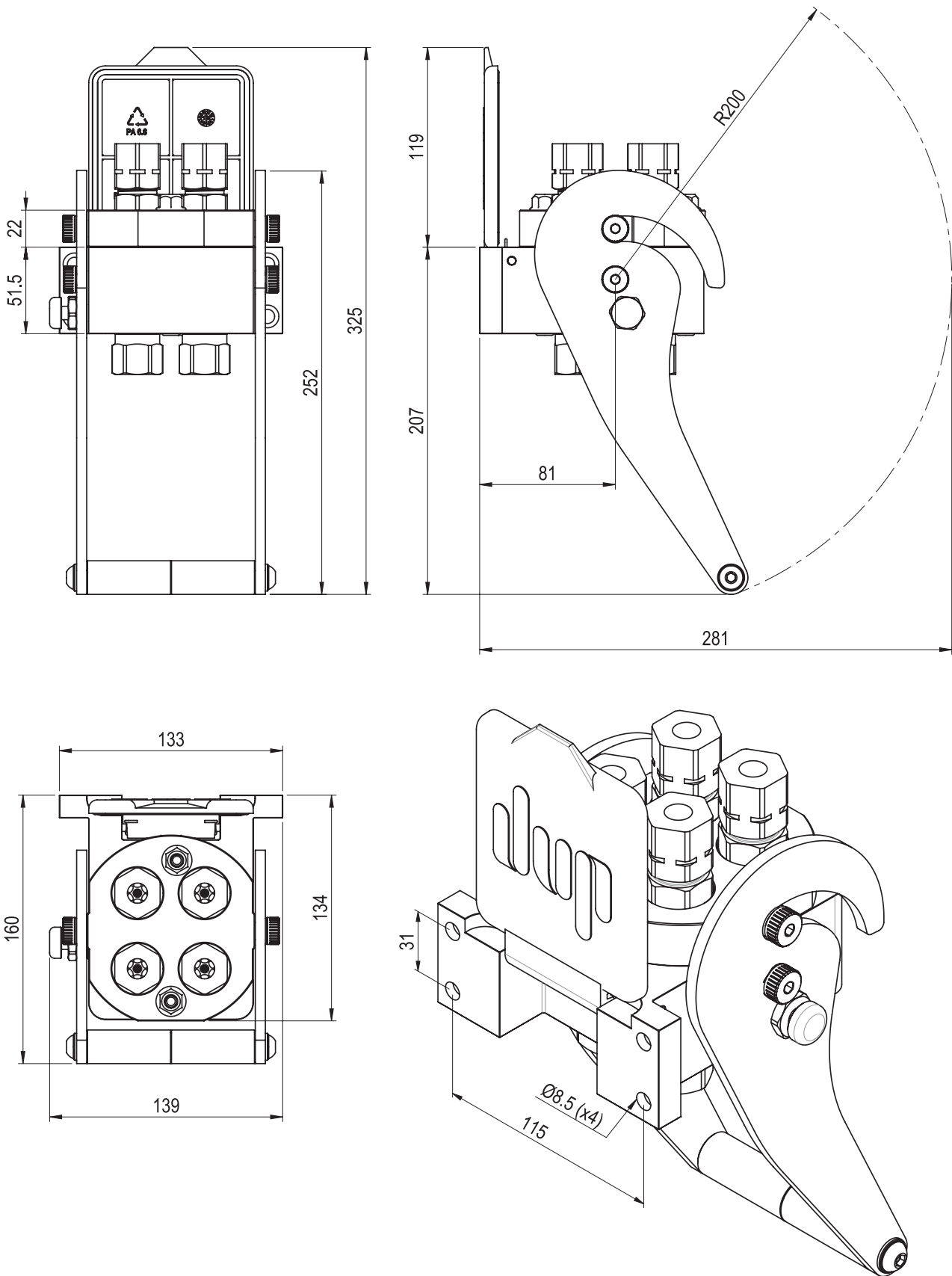
- Austauschbarkeit: Faster P506
- Verschluss: flachdichtend
- Kupplung: Hebel mit Sicherung
- Werkstoff: Stahl und Aluminium
- Ausführung: Zn-Fe (Cr III), Eloxiert
- Gewinde: BSP-NPT-SAE-METRISCHE
- Standard-Dichtungen: NBR und PU
- Betriebstemperatur: -25°C+100°C
- Dichtungen nach Wahl: FKM, EPDM, usw.
- Betriebsdruck: 250 bar
- Kuppeln unter Restdruck: erlaubt (nur Steckerseite)

Nominal size				Max working pressure	Rated flow	Max flow rate	Min burst pressure			Fluid spillage
DNP	BG	ISO	Ømm				Male	Female	Coupled	
13	2	10	8.6	25	23	46	120	120	120	0.010

1 MPa = 145.04 psi • 1 l = 0.264 gal



## PSF4 DIMENSION



## PSF4 FIXED



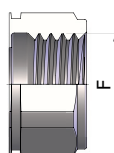
THREADS	DNP	BG	ISO	Housings	No. of Couplings	F	STANDARD	FIXED PART	
								CODE	Weight (g)
<b>IG 1</b>	13	2	10	4	4	BSP 3/8"	DIN 3852-2	PSF4.4CBG.2	3640
	13	2	10	4	3	BSP 3/8"	DIN 3852-2	PSF4.3CBG.2	3500
	13	2	10	4	4	BSP 1/2"	DIN 3852-2	PSF4.4CCG.2	3580
	13	2	10	4	4	NPT 3/8"	ANSI B1.20.1	PSF4.4CBN.2	3680
	13	2	10	4	4	NPT 1/2"	ANSI B1.20.1	PSF4.4CCN.2	3670
<b>IG 2</b>	13	2	10	4	4	9/16"-18 UNF 2B	SAE J 1926-1	PSF4.4CBU.2	3690
	13	2	10	4	4	3/4"-16 UNF 2B	SAE J 1926-1	PSF4.4CCU.2	3630
<b>AG 3</b>	13	2	10	4	4	M16x1.5-10L	ISO 8434-1-L	PSF4.4CBL.2	3710
	13	2	10	4	4	M18x1.5-12L	ISO 8434-1-L	PSF4.4CCL.2	3680
	13	2	10	4	4	M22x1.5-15L	ISO 8434-1-L	PSF4.4CEL.2	3700
	13	2	10	4	4	M20x1.5-12S	ISO 8434-1-S	PSF4.4CDS.2	3720
	13	2	10	4	4	M26x1.5-18L	ISO 8434-1-L	PSF4.4CGL.2	3740
<b>AG 4</b>	13	2	10	4	4	13/16"-16 UN	ISO 8434-3	PSF4.4CCO.2	3760

## PSF4 MOBILE

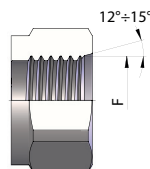


THREADS	DNP	BG	ISO	Housings	No. of Couplings	F	STANDARD	MOBILE PART	
								CODE	Weight (g)
<b>IG 1</b>	13	2	10	4	4	BSP 3/8"	DIN 3852-2	PSF4.4CBG.3	1415
	13	2	10	4	3	BSP 3/8"	DIN 3852-2	PSF4.3CBG.3	1230
	13	2	10	4	4	BSP 1/2"	DIN 3852-2	PSF4.4CCG.3	1380
	13	2	10	4	4	NPT 3/8"	ANSI B1.20.1	PSF4.4CBN.3	1595
	13	2	10	4	4	NPT 1/2"	ANSI B1.20.1	PSF4.4CCN.3	1530
<b>IG 2</b>	13	2	10	4	4	9/16"-18 UNF 2B	SAE J 1926-1	PSF4.4CBU.3	1520
	13	2	10	4	4	3/4"-16 UNF 2B	SAE J 1926-1	PSF4.4CCU.3	1490
<b>AG 3</b>	13	2	10	4	4	M16x1.5-10L	ISO 8434-1-L	PSF4.4CBL.3	1315
	13	2	10	4	4	M18x1.5-12L	ISO 8434-1-L	PSF4.4CCL.3	1320
	13	2	10	4	4	M22x1.5-15L	ISO 8434-1-L	PSF4.4CEL.3	1340
	13	2	10	4	4	M20x1.5-12S	ISO 8434-1-S	PSF4.4CDS.3	1400
	13	2	10	4	4	M26x1.5-18L	ISO 8434-1-L	PSF4.4CGL.3	1360
<b>AG 4</b>	13	2	10	4	4	13/16"-16 UN	ISO 8434-3	PSF4.4CCO.3	1375

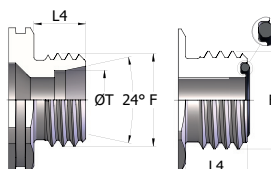
### THREADS



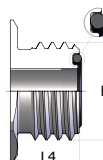
IG 1



IG 2



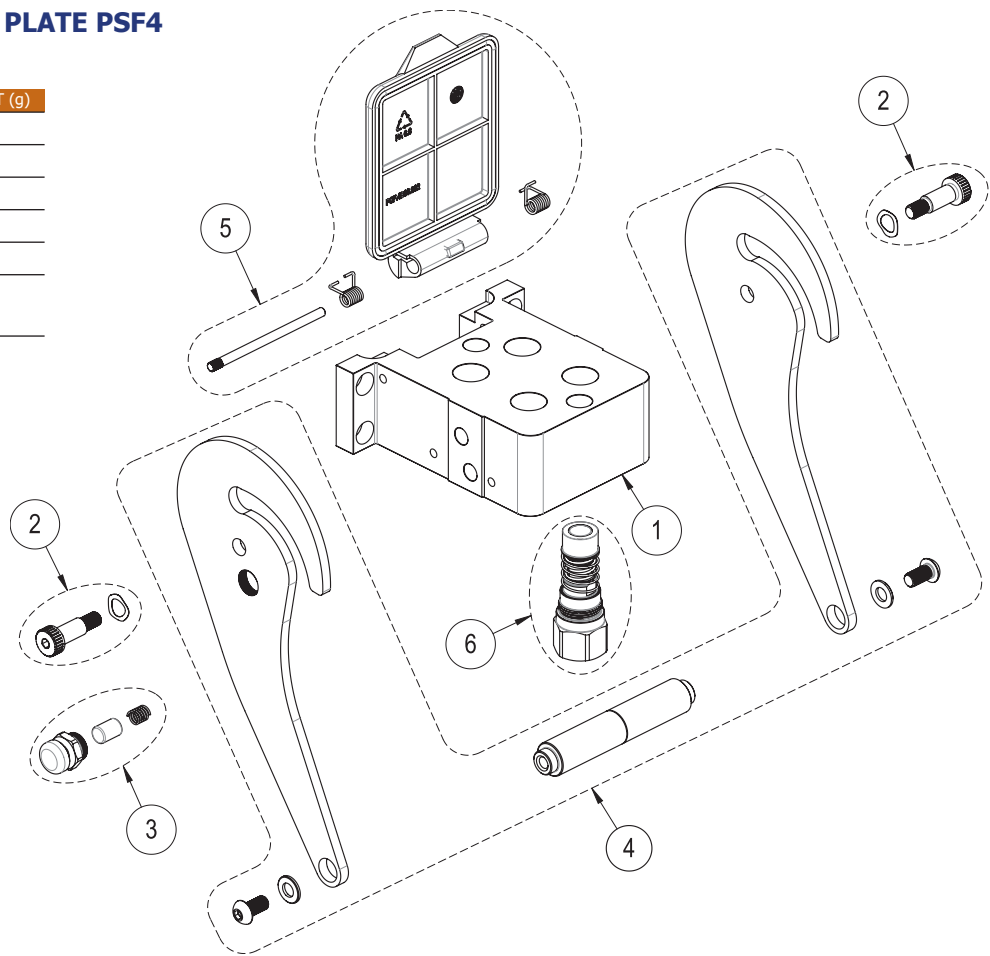
AG 3



AG 4

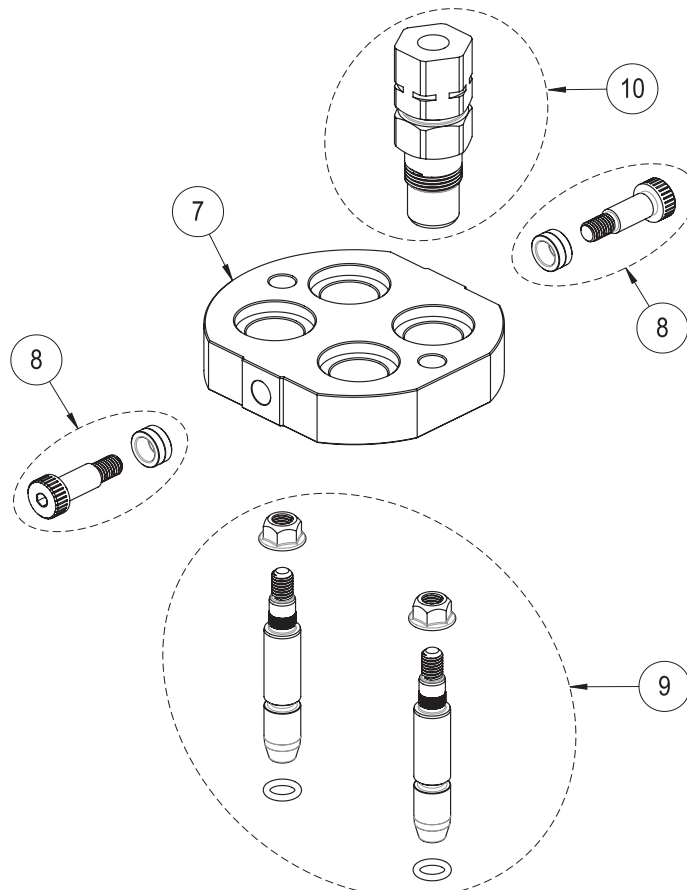
## SPARE PARTS FIXED PLATE PSF4

POS.	PART NUMBER	WEIGHT (g)
1	PSF.4B00.102	1370
2	PSQ.KIT.011	51
3	PSF.KIT.050	33
4	PSF.KIT.042	1505
5	PSF.KIT.4902	114
6	SEE SPARE PARTS ISO 10	

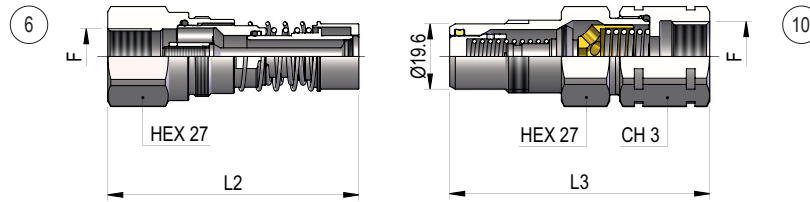


## SPARE PARTS MOBILE PLATE PSF4

POS.	PART NUMBER	WEIGHT (g)
7	PSF.4B00.103	438
8	PSF.KIT.020	61
9	PSF.KIT.017	169
10	SEE SPARE PARTS ISO 10	

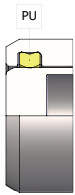


## SPARE PARTS ISO 10 COUPLINGS



THREADS	DNP	BG	ISO	L2	CH 3	L3	L4	ØT	F	STANDARD	SPARE PARTS			
											FEMALE - MUFFE		MALE - STECKER	
											COD. F	Weight (g)	COD. M	Weight (g)
<b>IG 1</b>	13	2	10	75.3	27	78			BSP 3/8"	DIN 3852-2	POF4.1310.112 R	150	POF4.1310.113	188
	13	2	10	75.3	27	78			BSP 1/2"	DIN 3852-2	POF4.1313.112 R	135	POF4.1313.113	179
	13	2	10	75.3	30	81			NPT 3/8"	ANSI B1.20.1	POF4.1310.012 R	160	POF4.1310.013	233
	13	2	10	79.3	30	81			NPT 1/2"	ANSI B1.20.1	POF4.1313.012 R	157	POF4.1313.013	217
<b>IG 2</b>	13	2	10	75.4	30	78			9/16"-18 UNF 2B	SAE J 1926-1	POF4.1315.032 R	162	POF4.1315.033	214
	13	2	10	75.3	30	78			3/4"-16 UNF 2B	SAE J 1926-1	POF4.1319.032 R	147	POF4.1319.033	206
<b>AG 3</b>	13	2	10	83.3	27	76	11	10L	M16x1.5	ISO 8434-1-L	POF4.1316.302 R	160	POF4.1316.303	163
	13	2	10	83.3	27	76	11	12L	M18x1.5	ISO 8434-1-L	POF4.1318.302 R	160	POF4.1318.303	164
	13	2	10	84.3	27	77	12	15L	M22x1.5	ISO 8434-1-L	POF4.1322.302 R	165	POF4.1322.303	169
	13	2	10	84.3	30	77	12	12S	M20x1.5	ISO 8434-1-S	POF4.1320.402 R	170	POF4.1320.403	184
	13	2	10	84.3	27	77	12	18L	M26x1.5	ISO 8434-1-L	POF4.1326.302 R	162	POF4.1326.303	173
<b>AG 4</b>	13	2	10	85.3	27	78	13		13/16"-16 UN	ISO 8434-3	POF4.1321.432 R	170	POF4.1321.433	178

## SPARE PARTS SEALS



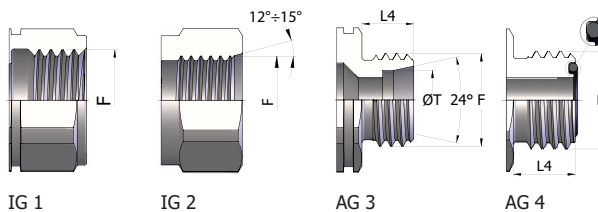
NOMINAL SIZE			MALE GASKET
DNP	BG	ISO	PU (POLYURETHANE)
13	2	10	PLK.013.210

## PLUGS



NOMINAL SIZE			PART NUMBER	COLOR	MATERIAL
DNP	BG	ISO			
13	2	10	TPOF13	●	PVC

## THREADS





## Technical data

E

- Interchange: Faster P508
- Occlusion: flat face
- Locking: lever with safety device
- Material: steel and aluminum
- Finishing: Zn-Fe (Cr III), Anodizing
- Threads: BSP-SAE
- Standard seals: NBR and PU
- Working temperature: -25°C+100°C
- Optional seals: FKM, EPDM or more.
- Working pressure: 250 bar
- Connection under residual pressure: allowed (male side only)

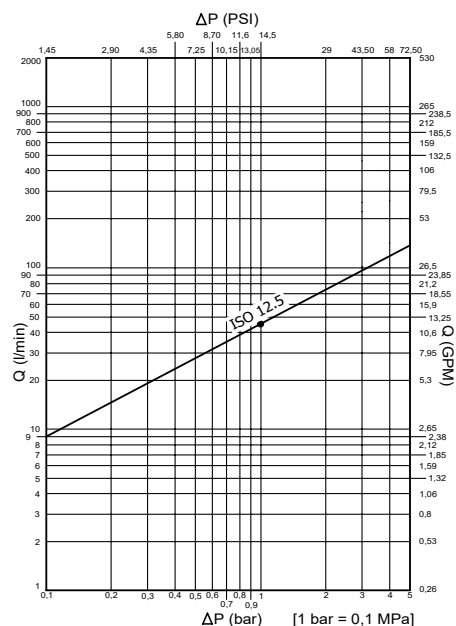
## Technische Merkmale

D

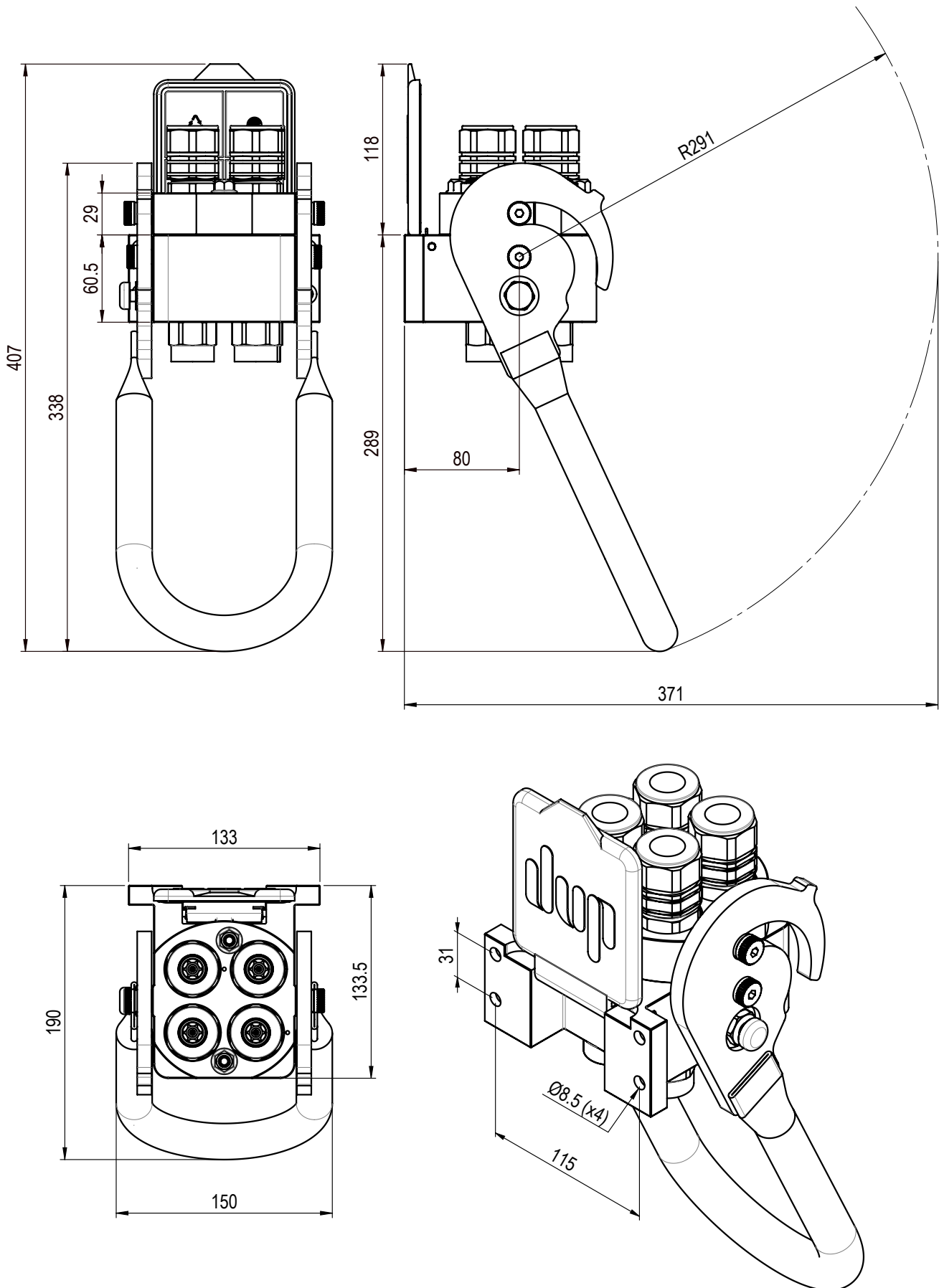
- Austauschbarkeit: Faster P508
- Verschluss: flachdichtend
- Kupplung: Hebel mit Sicherung
- Werkstoff: Stahl und Aluminium
- Ausführung: Zn-Fe (Cr III), Eloxiert
- Gewinde: BSP-SAE
- Standard-Dichtungen: NBR und PU
- Betriebstemperatur: -25°C+100°C
- Dichtungen nach Wahl: FKM, EPDM, usw.
- Betriebsdruck: 250 bar
- Kuppeln unter Restdruck: erlaubt (nur Steckerseite)

Nominal size				Max working pressure	Rated flow	Max flow rate	Min burst pressure			Fluid spillage
DNP	BG	ISO	Ømm				Male	Female	Coupled	
20	3	12.5	10.7	25 MPa	45 l/min	90 l/min	120 MPa	120 MPa	120 MPa	0.012 cc

1 MPa = 145.04 psi • 1 l = 0.264 gal



## PSF4 DIMENSION



## PSF4 FIXED



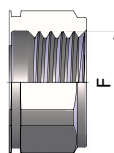
THREADS	DNP	BG	ISO	Housings	No. of Couplings	F	STANDARD	FIXED PART	
								CODE	Weight (g)
<b>IG 1</b>	20	3	12.5	4	2	BSP 1/2"	DIN 3852-2	PSF4.2GCG.2	4033
	20	3	12.5	4	3	BSP 1/2"	DIN 3852-2	PSF4.3GCG.2	4247
	20	3	12.5	4	4	BSP 1/2"	DIN 3852-2	PSF4.4GCG.2	4460
	20	3	12.5	4	4	BSP 3/4"	DIN 3852-2	PSF4.4GDG.2	4519
	20	3	12.5	4	4	NPT 1/2"	ANSI B1.20.1	PSF4.4GCN.2	4484
<b>IG 2</b>	20	3	12.5	4	3	3/4"-16 UNF 2B	SAE J 1926-1	PSF4.3GCU.2	4262
	20	3	12.5	4	4	3/4"-16 UNF 2B	SAE J 1926-1	PSF4.4GCU.2	4481
	20	3	12.5	4	4	1"-1/16-12 UN 2B	SAE J 1926-1	PSF4.4GDU.2	4534
<b>AG 3</b>	20	3	12.5	4	4	M18x1.5-12L	ISO 8434-1-L	PSF4.4GCL.2	4470
	20	3	12.5	4	4	M22x1.5-15L	ISO 8434-1-L	PSF4.4GEL.2	4419
	20	3	12.5	4	4	M20x1.5-12S	ISO 8434-1-S	PSF4.4GDS.2	4504
	20	3	12.5	4	4	M24x1.5-16S	ISO 8434-1-S	PSF4.4GFS.2	4483
<b>AG 4</b>	20	3	12.5	4	4	13/16"-16 UN	ISO 8434-3	PSF4.4GCO.2	4508

## PSF4 MOBILE

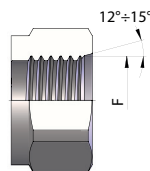


THREADS	DNP	BG	ISO	Housings	No. of Couplings	F	STANDARD	MOBILE PART	
								CODE	Weight (g)
<b>IG 1</b>	20	3	12.5	4	2	BSP 1/2"	DIN 3852-2	PSF4.2GCG.3	1516
	20	3	12.5	4	3	BSP 1/2"	DIN 3852-2	PSF4.3GCG.3	1920
	20	3	12.5	4	4	BSP 1/2"	DIN 3852-2	PSF4.4GCG.3	2323
	20	3	12.5	4	4	BSP 3/4"	DIN 3852-2	PSF4.4GDG.3	2255
	20	3	12.5	4	4	NTP 1/2"	ANSI B1.20.1	PSF4.4GCN.3	2386
<b>IG 2</b>	20	3	12.5	4	3	3/4"-16 UNF 2B	SAE J 1926-1	PSF4.3GCU.3	1894
	20	3	12.5	4	4	3/4"-16 UNF 2B	SAE J 1926-1	PSF4.4GCU.3	2289
	20	3	12.5	4	4	1"-1/16-12 UN 2B	SAE J 1926-1	PSF4.4GDU.3	2213
<b>AG 3</b>	20	3	12.5	4	4	M18x1.5-12L	ISO 8434-1-L	PSF4.4GCL.3	2062
	20	3	12.5	4	4	M22x1.5-15L	ISO 8434-1-L	PSF4.4GEL.3	2090
	20	3	12.5	4	4	M20x1.5-12S	ISO 8434-1-S	PSF4.4GDS.3	2095
	20	3	12.5	4	4	M24x1.5-16S	ISO 8434-1-S	PSF4.4GFS.3	2124
<b>AG 4</b>	20	3	12.5	4	4	13/16"-16 UN	ISO 8434-3	PSF4.4GCO.3	2111

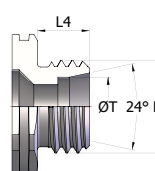
THREADS



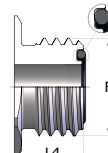
IG 1



IG 2



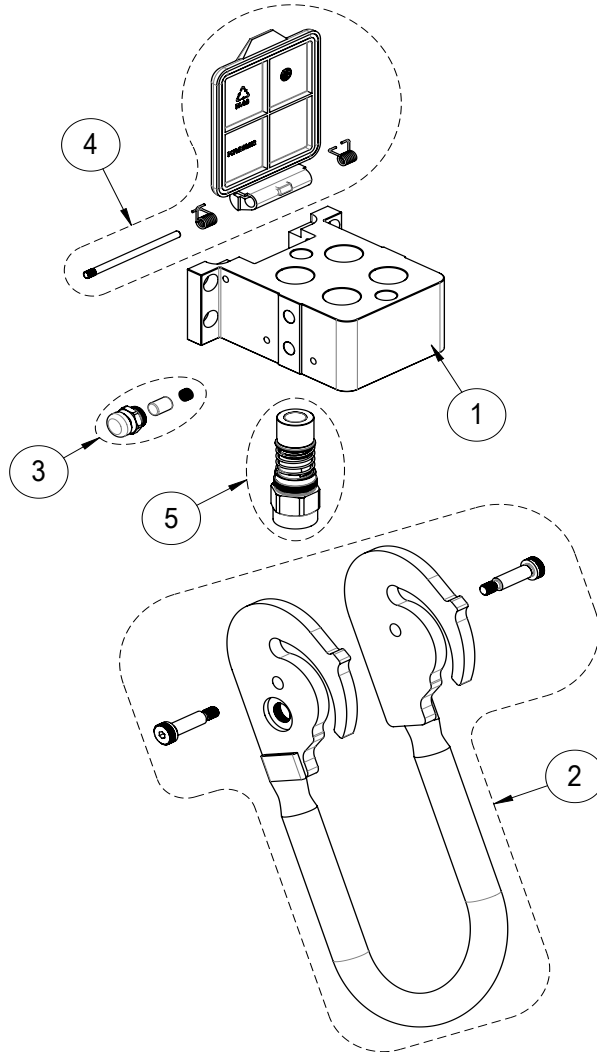
AG 3



AG 4

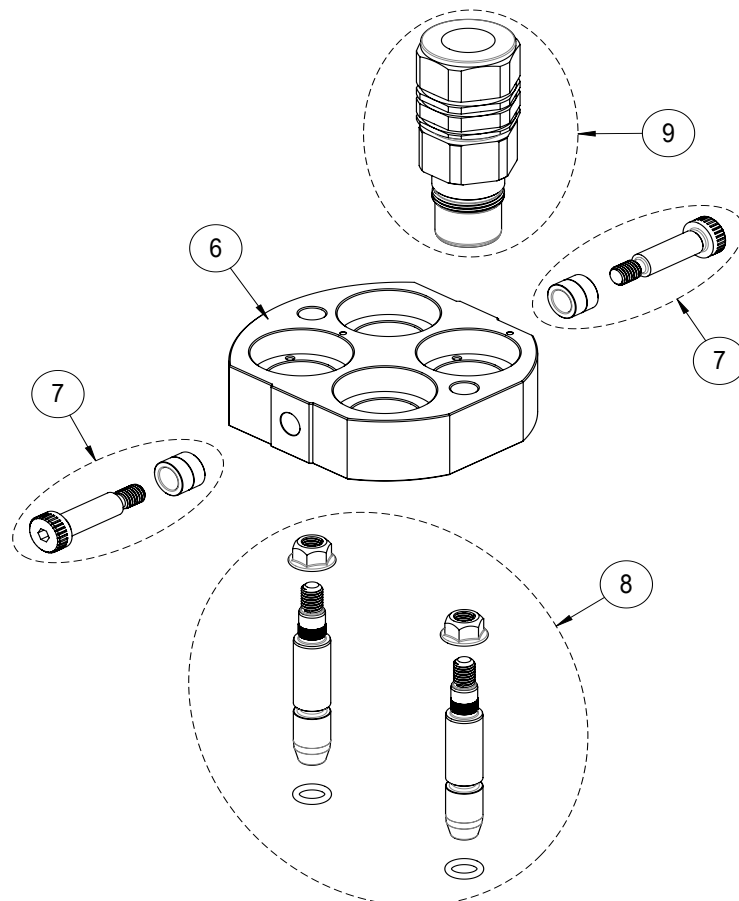
## SPARE PARTS FIXED PLATE PSF4

POS.	PART NUMBER	WEIGHT (g)
1	PSF.4G00.102	1500
2	PSF.KIT.340	2000
3	PSF.KIT.050	33
4	PSF.KIT.4902	114
5	SEE SPARE PARTS ISO 12.5	

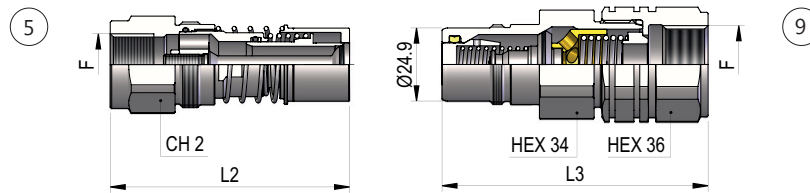


## SPARE PARTS MOBILE PLATE PSF4

POS.	PART NUMBER	WEIGHT (g)
6	PSF.4G00.103	460
7	PSF.KIT.120	72
8	PSF.KIT.017	169
9	SEE SPARE PARTS ISO 12.5	

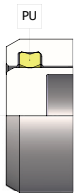


## SPARE PARTS ISO 12.5 COUPLINGS



THREADS	DNP	BG	ISO	CH2	L2	L3	L4	ØT	F	STANDARD	SPARE PARTS			
											FEMALE - MUFFE		MALE - STECKER	
											COD. F	Weight (g)	COD. M	Weight (g)
<b>IG 1</b>	20	3	12.5	30	82	89.5			BSP 1/2"	DIN 3852-2	POF4.2013.112 R	208	POF4.2013.113	400
	20	3	12.5	30	83	91.8			NPT 1/2"	ANSI B1.20.1	POF4.2013.012 R	214	POF4.2013.013	413
	20	3	12.5	34	84	91.5			BSP 3/4"	DIN 3852-2	POF4.2019.112 R	223	POF4.2019.113	380
<b>IG 2</b>	20	3	12.5	30	82	87			3/4"-16 UNF 2B	SAE J 1926-1	POF4.2019.032 R	212	POF4.2019.033	392
	20	3	12.5	34	87	91			1-1/16"-12 UN 2B	SAE J 1926-1	POF4.2027.032 R	229	POF4.2027.033	401
<b>AG 3</b>	20	3	12.5	30	86	87	11	12L	M18x1.5	ISO 8434-1-L	POF4.2018.302 R	209	POF4.2018.303	338
	20	3	12.5	30	87	88	12	15L	M22x1.5	ISO 8434-1-L	POF4.2022.302 R	215	POF4.2022.303	343
	20	3	12.5	30	87	88	12	12S	M20x1.5	ISO 8434-1-S	POF4.2020.402 R	218	POF4.2020.403	345
	20	3	12.5	30	87	88	12	16S	M24x1.5	ISO 8434-1-S	POF4.2024.402 R	220	POF4.2024.403	355
<b>AG 4</b>	20	3	12.5	30	87.3	89	13		13/16"-16 UN	ISO 8434-3	POF4.2020.432 R	219	POF4.2020.433	354

## SPARE PARTS SEALS



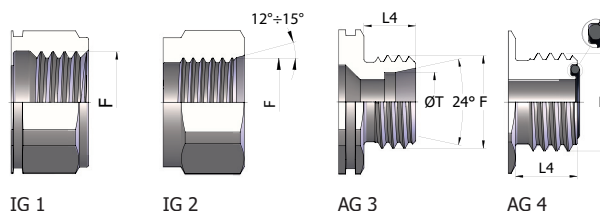
NOMINAL SIZE			MALE GASKET
DNP	BG	ISO	PU (POLYURETHANE)
20	3	12.5	PVT.019.210

## PLUGS



NOMINAL SIZE			PART NUMBER	COLOR	MATERIAL
DNP	BG	ISO			
20	3	12.5	TPOF20	●	PVC

THREADS





## Technical data

E

- Interchange: FASTER P508
- Occlusion: flat face
- Locking: lever with safety device
- Material: steel and aluminum
- Finishing: Zn-Fe (Cr III), Anodizing
- Threads: BSP-SAE
- Standard seals: NBR and PU
- Working temperature: -25°C+100°C
- Optional seals: FKM, EPDM or more.
- Working pressure: 250 bar
- Connection under residual pressure: allowed (male side only)

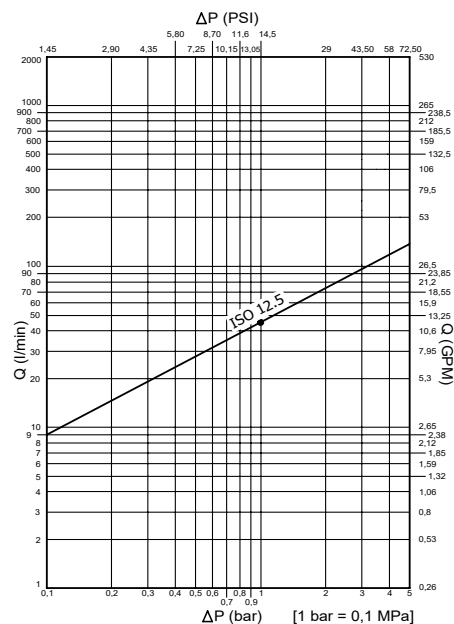
## Technische Merkmale

D

- Austauschbarkeit: FASTER P508
- Verschluss: flachdichtend
- Kupplung: Hebel mit Sicherung
- Werkstoff: Stahl und Aluminium
- Ausführung: Zn-Fe (Cr III), Eloxiert
- Gewinde: BSP-SAE
- Standard-Dichtungen: NBR und PU
- Betriebstemperatur: -25°C+100°C
- Dichtungen nach Wahl: FKM, EPDM, usw.
- Betriebsdruck: 250 bar
- Kuppeln unter Restdruck: erlaubt (nur Steckerseite)

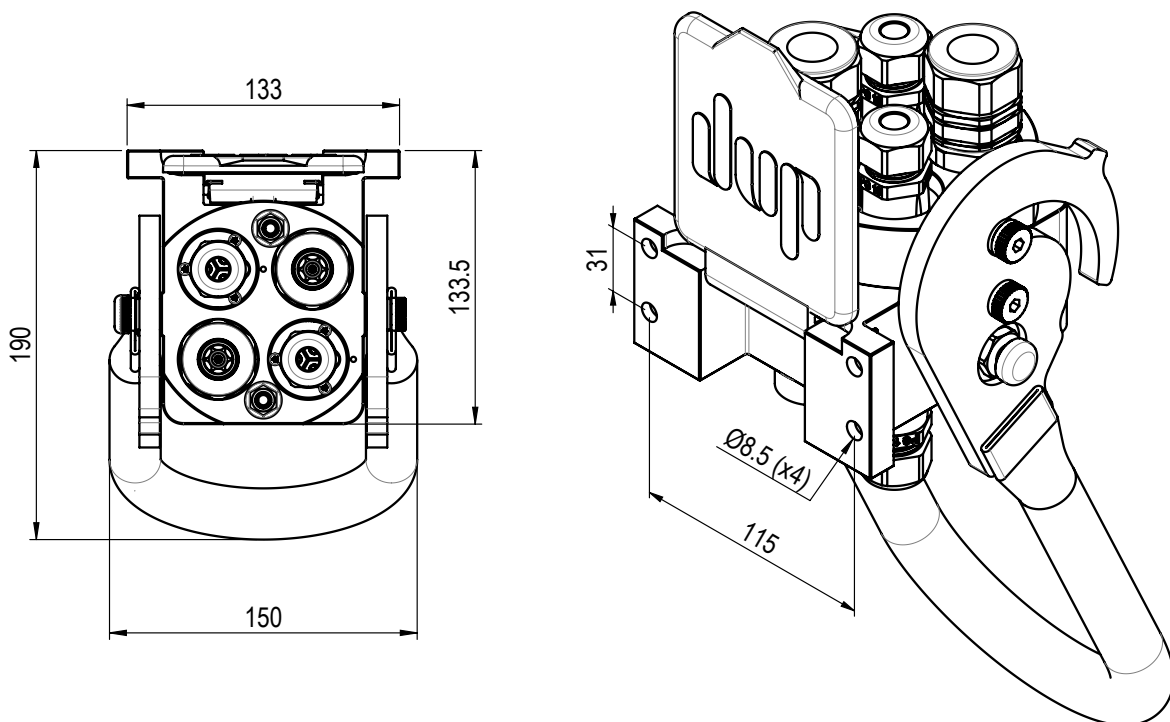
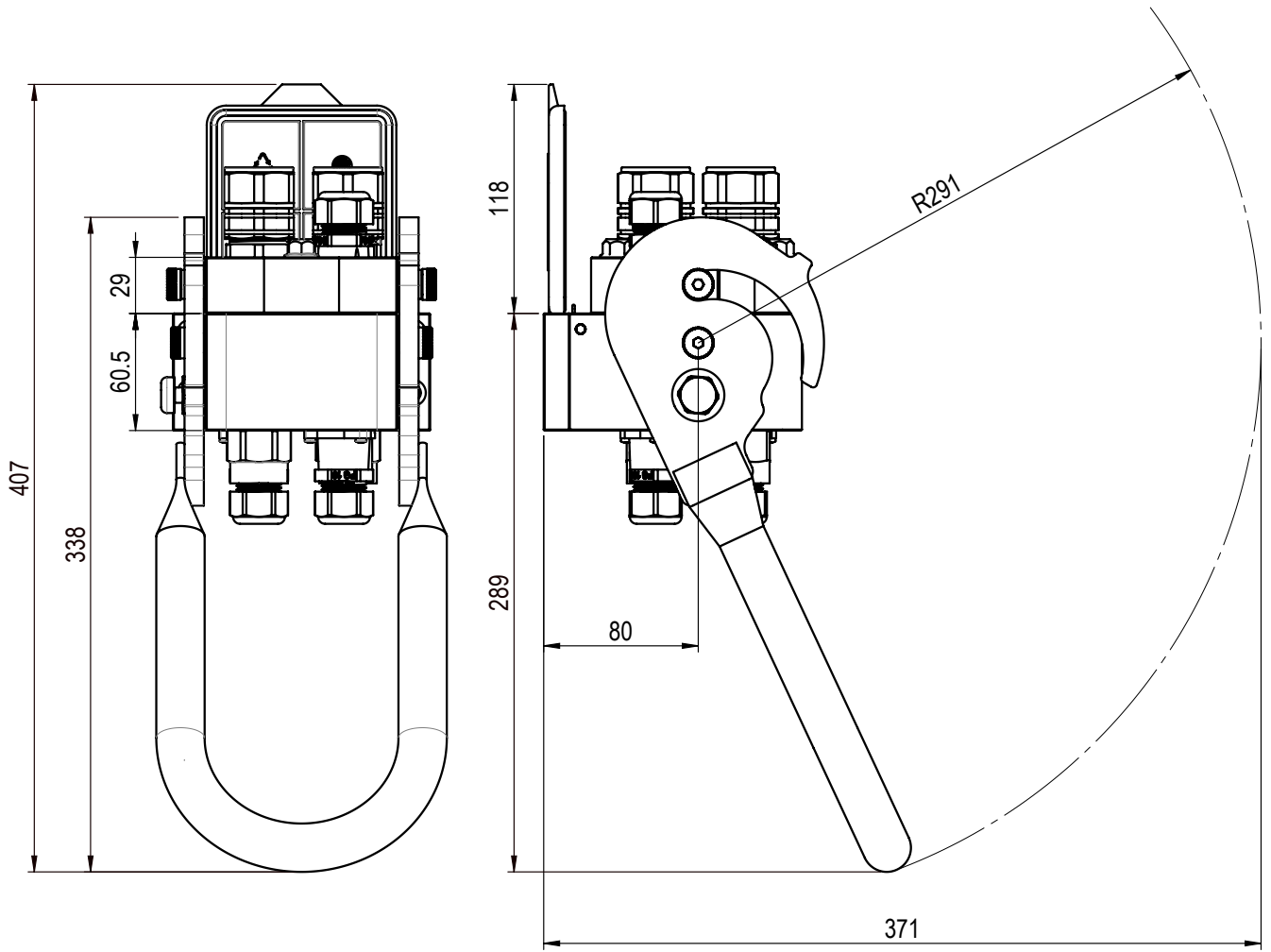
Nominal size				Max working pressure	Rated flow	Max flow rate	Min burst pressure			Fluid spillage
DNP	BG	ISO	Ømm				Male	Female	Coupled	
20	3	12.5	10.7	25 MPa	45 l/min	90 l/min	120 MPa	120 MPa	120 MPa	0.012 cc

1 MPa = 145.04 psi • 1 l = 0.264 gal



# PSF4 ISO 12.5 + ELECTRICAL CONNECTOR

## PSF4 DIMENSION



## PSF4 FIXED



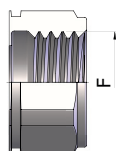
THREADS	DNP	BG	ISO	Housings	No. of Couplings	F	STANDARD	Electrical Connector		FIXED PART	
								No.	PINS	CODE	Weight (g)
<b>IG 1</b>	20	3	12.5	4	0	-	DIN 3852-2	1	3	PSF4.2GCG.3P.2	4096
					2	BSP 1/2"					
	20	3	12.5	4	0	-	DIN 3852-2	2	3	PSF4.2GCG.23P.2	4159
					2	BSP 1/2"					
20	3	12.5	4	0	-	DIN 3852-2	1	3	PSF4.3GCG.3P.2	4310	
				3	BSP 1/2"						
<b>IG 2</b>	20	3	12.5	4	0	-	SAE J 1926-1	1	3	PSF4.2GCU.3P.2	4106
					2	3/4"-16 UNF 2B					

## PSF4 MOBILE

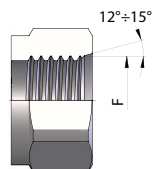


THREADS	DNP	BG	ISO	Housings	No. of Couplings	F	STANDARD	Electrical Connector		MOBILE PART	
								No.	PINS	CODE	Weight (g)
<b>IG 1</b>	20	3	12.5	4	0	-	DIN 3852-2	1	3	PSF4.2GCG.3P.3	1553
					2	BSP 1/2"					
	20	3	12.5	4	0	-	DIN 3852-2	2	3	PSF4.2GCG.23P.3	1591
					2	BSP 1/2"					
20	3	12.5	4	0	-	DIN 3852-2	1	3	PSF4.3GCG.3P.3	1957	
				3	BSP 1/2"						
<b>IG 2</b>	20	3	12.5	4	0	-	SAE J 1926-1	1	3	PSF4.2GCU.3P.3	1536
					2	3/4"-16 UNF 2B					

THREADS



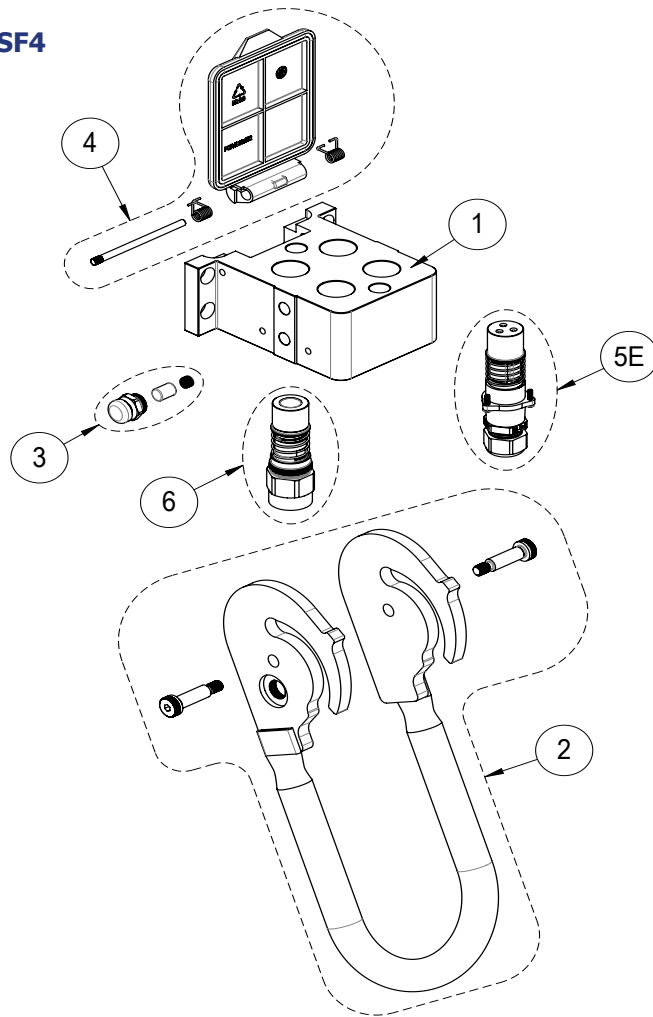
IG 1



IG 2

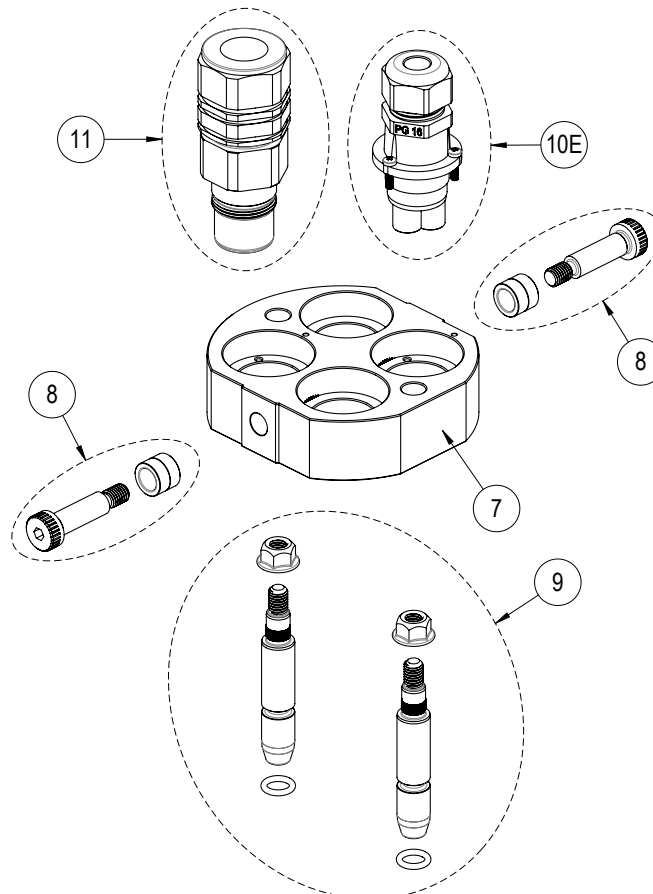
## SPARE PARTS FIXED PLATE PSF4

POS.	PART NUMBER	WEIGHT (g)
1	PSF.4G00.102	1500
2	PSF.KIT.340	2000
3	PSF.KIT.050	33
4	PSF.KIT.4902	114
5E	SEE SPARE PARTS ELECTRICAL CONNECTOR	
6	SEE SPARE PARTS ISO 12.5	

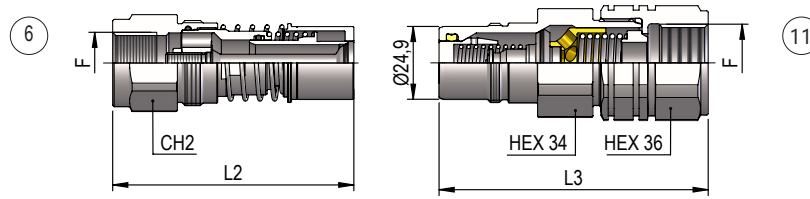


## SPARE PARTS MOBILE PLATE PSF4

POS.	PART NUMBER	WEIGHT (g)
7	PSF.4G00.103	460
8	PSF.KIT.120	72
9	PSF.KIT.017	169
10E	SEE SPARE PARTS ELECTRICAL CONNECTOR	
11	SEE SPARE PARTS ISO 12.5	

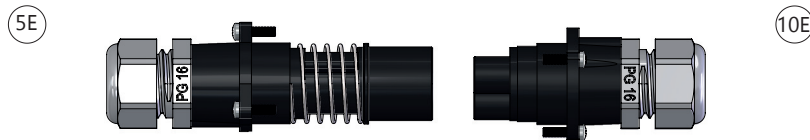


## SPARE PARTS ISO 12.5 COUPLINGS



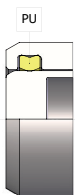
THREADS	DNP	BG	ISO	CH2	L2	L3	L4	ØT	F	STANDARD	SPARE PARTS			
											FEMALE - MUFFE		MALE - STECKER	
											COD. F	Weight (g)	COD. M	Weight (g)
<b>IG 1</b>	20	3	12.5	30	82	89.5			BSP 1/2"	DIN 3852-2	POF4.2013.112 R	208	POF4.2013.113	400
	20	3	12.5	30	83	91.8			NPT 1/2"	ANSI B1.20.1	POF4.2013.012 R	214	POF4.2013.013	413
	20	3	12.5	34	84	91.5			BSP 3/4"	DIN 3852-2	POF4.2019.112 R	223	POF4.2019.113	380
<b>IG 2</b>	20	3	12.5	30	82	87			3/4"-16 UNF 2B	SAE J 1926-1	POF4.2019.032 R	212	POF4.2019.033	392
	20	3	12.5	34	87	91			1"1/16-12 UN 2B	SAE J 1926-1	POF4.2027.032 R	229	POF4.2027.033	401
<b>AG 3</b>	20	3	12.5	30	86	87	11	12L	M18x1.5	ISO 8434-1-L	POF4.2018.302 R	209	POF4.2018.303	338
	20	3	12.5	30	87	88	12	15L	M22x1.5	ISO 8434-1-L	POF4.2022.302 R	215	POF4.2022.303	343
	20	3	12.5	30	87	88	12	12S	M20x1.5	ISO 8434-1-S	POF4.2020.402 R	218	POF4.2020.403	345
	20	3	12.5	30	87	88	12	16S	M24x1.5	ISO 8434-1-S	POF4.2024.402 R	220	POF4.2024.403	355
<b>AG 4</b>	20	3	12.5	30	87.3	89	13		13/16"-16 UN	ISO 8434-3	POF4.2020.432 R	219	POF4.2020.433	354

## SPARE PARTS ELECTRICAL CONNECTOR



SPARE PARTS			
FEMALE - MUFFE (5E)		MALE - STECKER (10E)	
COD. F	Weight (g)	COD. M	Weight (g)
SEF.3P04.002	60	SEF.3P04.003	39

## SPARE PARTS SEALS



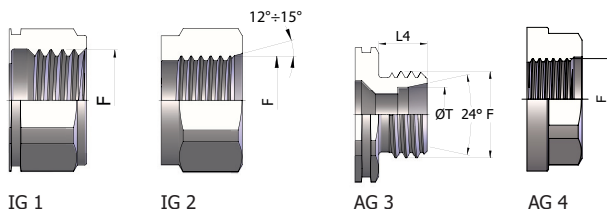
NOMINAL SIZE			MALE GASKET
DNP	BG	ISO	PU (POLYURETHANE)
20	3	12.5	PVT.019.210

## PLUGS



NOMINAL SIZE			PART NUMBER	COLOR	MATERIAL
DNP	BG	ISO		●	
20	3	12.5	TPOF20		PVC

## THREADS





## Technical data

E

- Interchange: Faster P510
- Occlusion: flat face
- Locking: lever with safety device
- Material: steel and aluminum
- Finishing: Zn-Fe (Cr III), Anodizing
- Threads: BSP-SAE
- Standard seals: NBR and PU
- Working temperature: -25°C+100°C
- Optional seals: FKM, EPDM or more.
- Working pressure: 250 bar
- Connection under residual pressure: allowed (male side only)

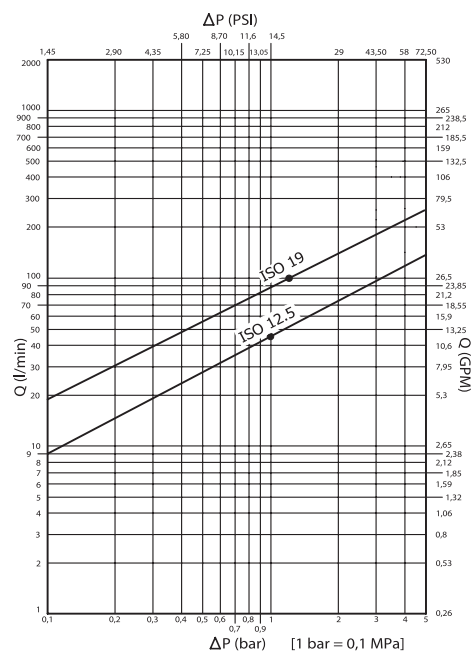
## Technische Merkmale

D

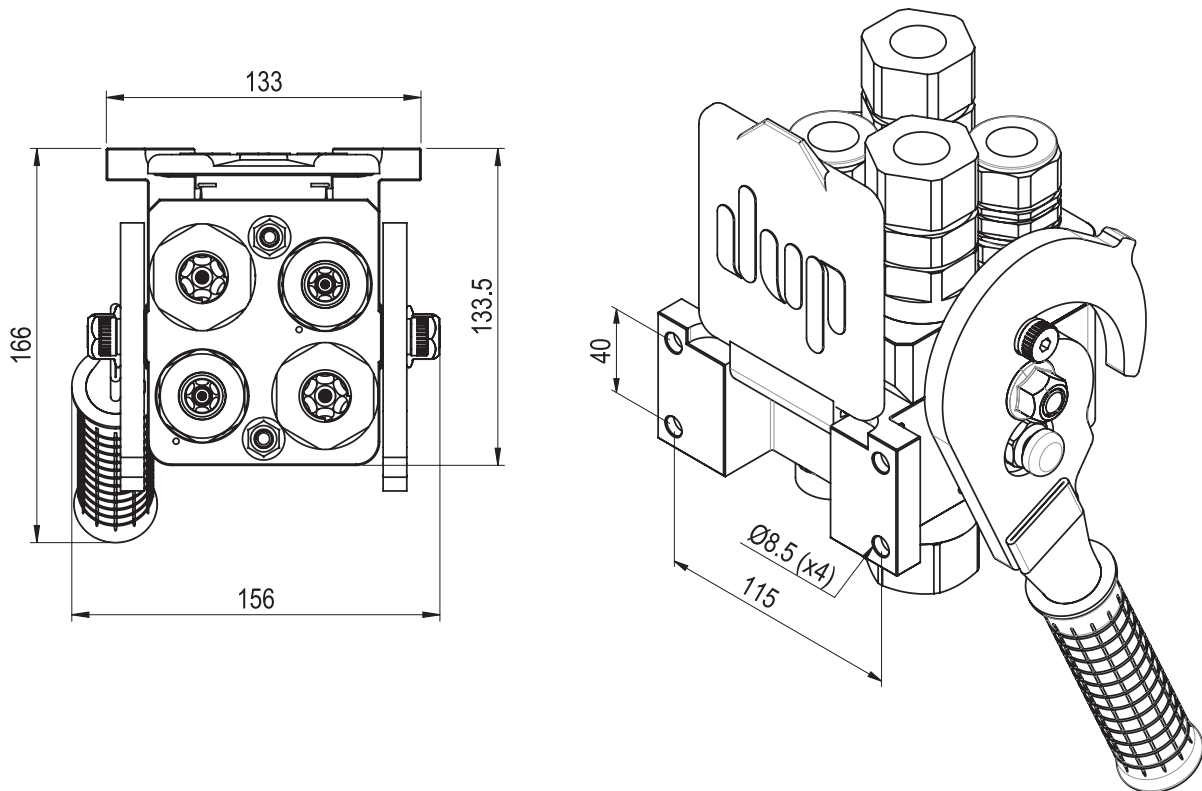
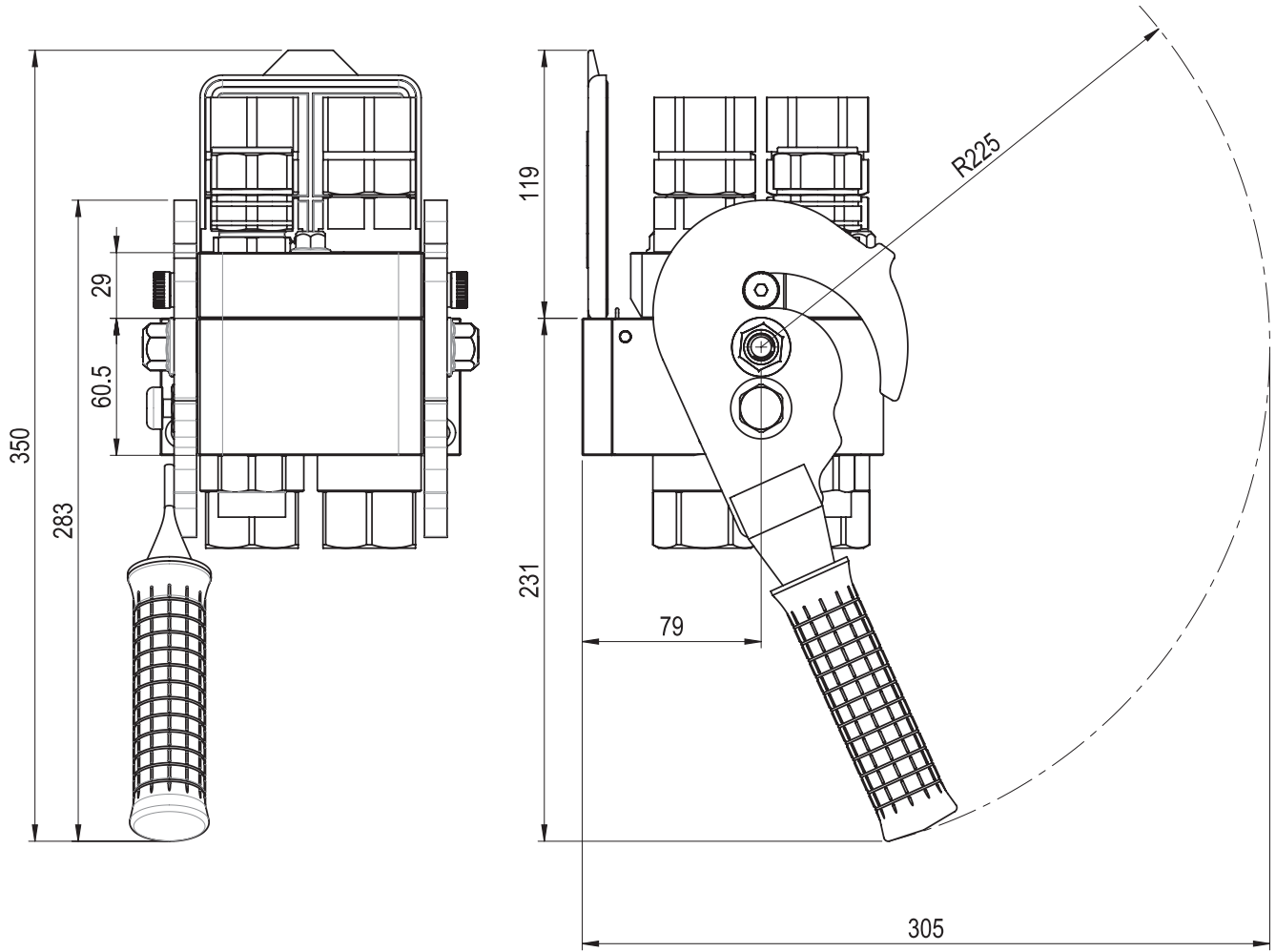
- Austauschbarkeit: Faster P510
- Verschluss: flachdichtend
- Kupplung: Hebel mit Sicherung
- Werkstoff: Stahl und Aluminium
- Ausführung: Zn-Fe (Cr III), Eloxiert
- Gewinde: BSP-SAE
- Standard-Dichtungen: NBR und PU
- Betriebstemperatur: -25°C+100°C
- Dichtungen nach Wahl: FKM, EPDM, usw.
- Betriebsdruck: 250 bar
- Kuppeln unter Restdruck: erlaubt (nur Steckerseite)

Nominal size				Max working pressure	Rated flow	Max flow rate	Min burst pressure			Fluid spillage
DNP	BG	ISO	Ømm	MPa	l/min	l/min	Male	Female	Coupled	cc
20	3	12.5	10.7	25	45	90	120	120	120	0.012
25	4	19	14.8	25	100	200	120	120	120	0.020

1 MPa = 145.04 psi • 1 l = 0.264 gal



## PSF4 DIMENSION



## PSF4 FIXED



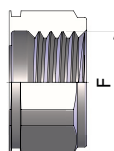
THREADS	DNP	BG	ISO	Housings	No. of Couplings	F	STANDARD	FIXED PART	
								CODE	Weight (g)
<b>IG 1</b>	20	3	12.5	4	2	BSP 1/2"	DIN 3852-2	PSF4.2GCG.2EDG.2	4750
	25	4	19		2	BSP 3/4"			
	20	3	12.5	4	1	BSP 1/2"	DIN 3852-2	PSF4.1GCG.2EDG.2	4570
	25	4	19		2	BSP 3/4"			
	20	3	12.5	4	1	BSP 1/2"	DIN 3852-2	PSF4.1GCG.1EDG.2	4140
	25	4	19		1	BSP 3/4"			
	20	3	12.5	4	0	-	DIN 3852-2	PSF4.2EDG.2	4390
	25	4	19		2	BSP 3/4"			
<b>IG 2</b>	20	3	12.5	4	2	1"-1/16-12 UN 2B	SAE J 1926-1	PSF4.2GDU.2ECU.2	4970
	25	4	19		2	3/4"-16 UNF 2B			
	20	3	12.5	4	0	-	SAE J 1926-1	PSF4.2EDU.2	4420
	25	4	19		2	1"-1/16-12 UN 2B			

## PSF4 MOBILE

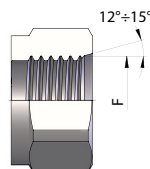


THREADS	DNP	BG	ISO	Housings	No. of Couplings	F	STANDARD	MOBILE PART	
								CODE	Weight (g)
<b>IG 1</b>	20	3	12.5	4	2	BSP 1/2"	DIN 3852-2	PSF4.2GCG.2EDG.3	3070
	25	4	19		2	BSP 3/4"			
	20	3	12.5	4	1	BSP 1/2"	DIN 3852-2	PSF4.1GCG.2EDG.3	2670
	25	4	19		2	BSP 3/4"			
	20	3	12.5	4	1	BSP 1/2"	DIN 3852-2	PSF4.1GCG.1EDG.3	1910
	25	4	19		1	BSP 3/4"			
	20	3	12.5	4	0	-	DIN 3852-2	PSF4.2EDG.3	2270
	25	4	19		2	BSP 3/4"			
<b>IG 2</b>	20	3	12.5	4	2	1"-1/16-12 UN 2B	SAE J 1926-1	PSF4.2GDU.2ECU.3	3180
	25	4	19		2	3/4"-16 UNF 2B			
	20	3	12.5	4	0	-	SAE J 1926-1	PSF4.2EDU.3	2260
	25	4	19		2	1"-1/16-12 UN 2B			

THREADS



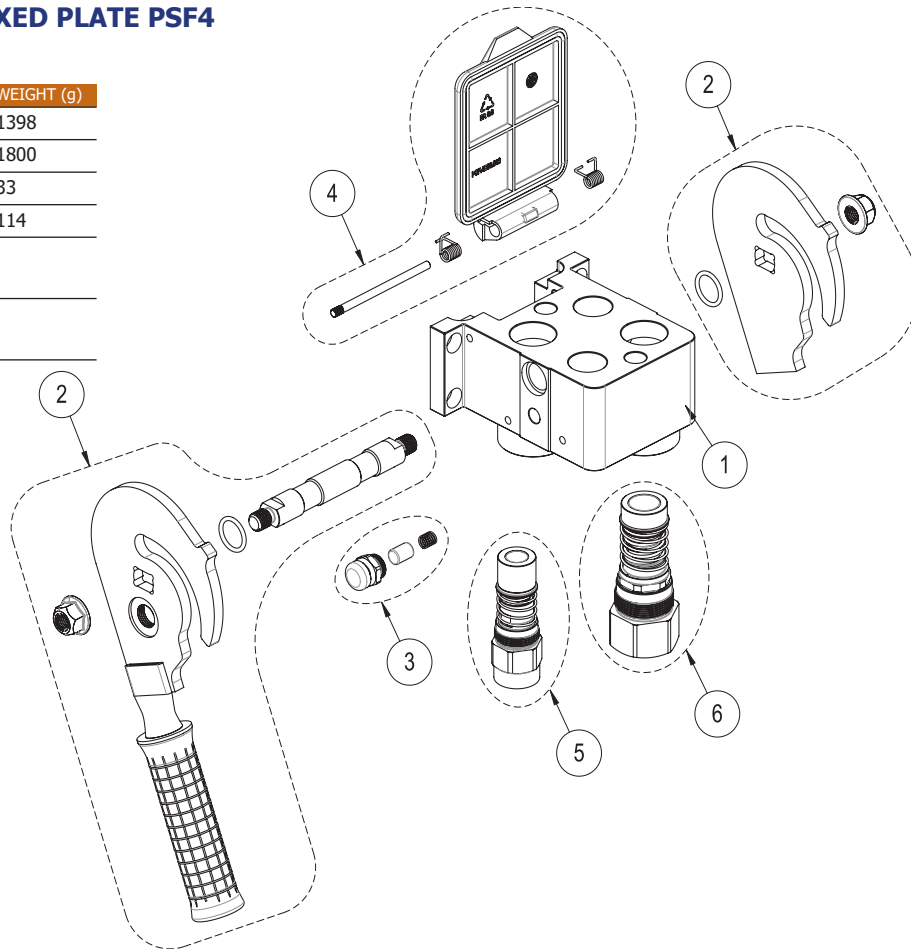
IG 1



IG 2

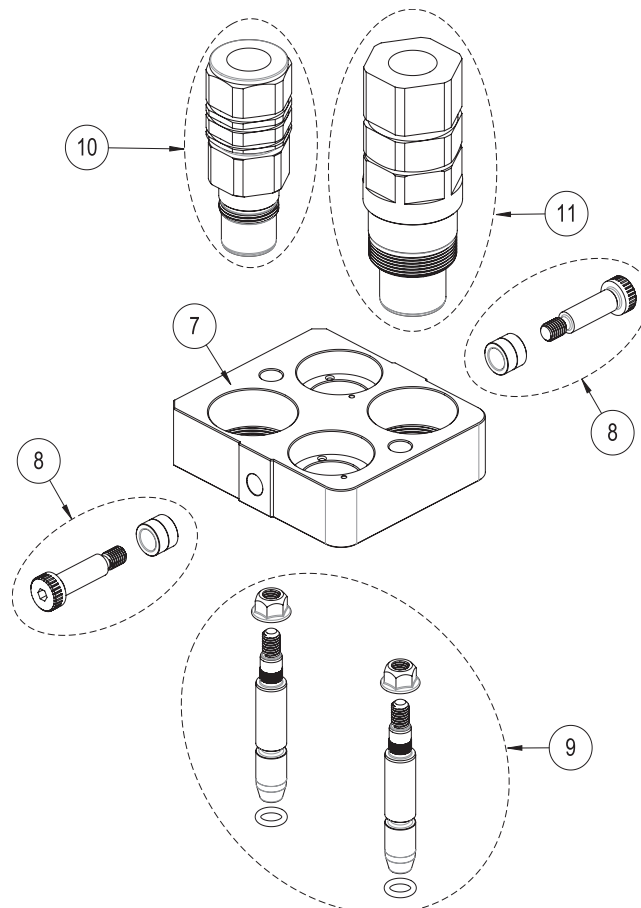
## SPARE PARTS FIXED PLATE PSF4

POS.	PART NUMBER	WEIGHT (g)
1	PSF.2C2G.102	1398
2	PSF.KIT.442	1800
3	PSF.KIT.050	33
4	PSF.KIT.4902	114
5	SEE SPARE PARTS ISO 12.5	
6	SEE SPARE PARTS ISO 19	

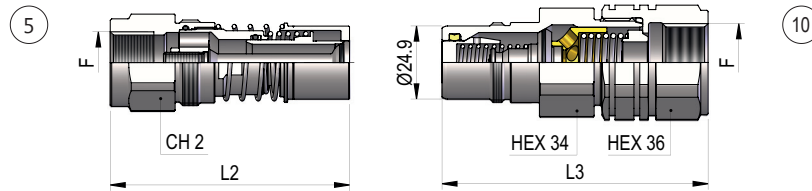


## SPARE PARTS MOBILE PLATE PSF4

POS.	PART NUMBER	WEIGHT (g)
7	PSF.2C2G.103	501
8	PSF.KIT.120	72
9	PSF.KIT.017	169
10	SEE SPARE PARTS ISO 12.5	
11	SEE SPARE PARTS ISO 19	

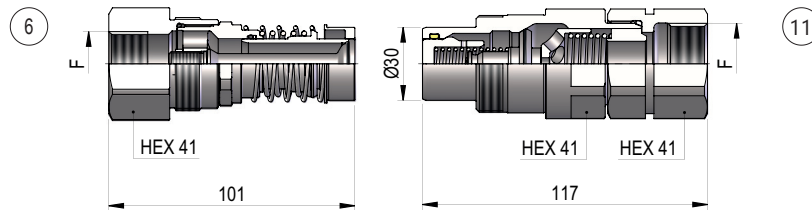


## SPARE PARTS ISO 12.5 COUPLINGS



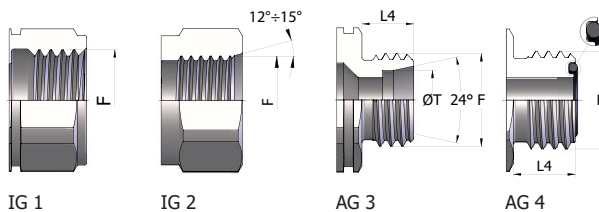
THREADS	DNP	BG	ISO	CH2	L2	L3	L4	ØT	F	STANDARD	SPARE PARTS			
											FEMALE - MUFFE		MALE - STECKER	
											COD. F	Weight (g)	COD. M	Weight (g)
<b>IG 1</b>	20	3	12.5	30	82	89.5			BSP 1/2"	DIN 3852-2	POF4.2013.112 R	208	POF4.2013.113	400
	20	3	12.5	30	83	91.8			NPT 1/2"	ANSI B1.20.1	POF4.2013.012 R	214	POF4.2013.013	413
	20	3	12.5	34	84	91.5			BSP 3/4"	DIN 3852-2	POF4.2019.112 R	223	POF4.2019.113	380
<b>IG 2</b>	20	3	12.5	30	82	87			3/4"-16 UNF 2B	SAE J 1926-1	POF4.2019.032 R	212	POF4.2019.033	392
	20	3	12.5	34	87	91			1-1/16"-12 UN 2B	SAE J 1926-1	POF4.2027.032 R	229	POF4.2027.033	401
<b>AG 3</b>	20	3	12.5	30	86	87	11	12L	M18x1.5	ISO 8434-1-L	POF4.2018.302 R	209	POF4.2018.303	338
	20	3	12.5	30	87	88	12	15L	M22x1.5	ISO 8434-1-L	POF4.2022.302 R	215	POF4.2022.303	343
	20	3	12.5	30	87	88	12	12S	M20x1.5	ISO 8434-1-S	POF4.2020.402 R	218	POF4.2020.403	345
	20	3	12.5	30	87	88	12	16S	M24x1.5	ISO 8434-1-S	POF4.2024.402 R	220	POF4.2024.403	355
<b>AG 4</b>	20	3	12.5	30	87.3	89	13		13/16"-16 UN	ISO 8434-3	POF4.2020.432 R	219	POF4.2020.433	354

## SPARE PARTS ISO 19 COUPLINGS

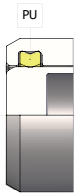


THREADS	DNP	BG	ISO	F	STANDARD	SPARE PARTS			
						FEMALE - MUFFE		MALE - STECKER	
						COD. F	Weight (g)	COD. M	Weight (g)
<b>IG 1</b>	25	4	19	BSP 3/4"	DIN 3852-2	POF4.2519.112 R	454	POF4.2519.113	760
	25	4	19	BSP 1"	DIN 3852-2	POF4.2525.112 R	404	POF4.2525.113	696
<b>IG 2</b>	25	4	19	3/4"-16 UNF 2B	SAE J 1926-1	POF4.2519.032 R	493	POF4.2519.033	815
	25	4	19	1-1/16"-12 UN 2B	SAE J 1926-1	POF4.2527.032 R	445	POF4.2527.033	754

THREADS



## SPARE PARTS SEALS



NOMINAL SIZE			MALE GASKET
DNP	BG	ISO	PU (POLYURETHANE)
20	3	12.5	PVT.019.210
25	4	19	PVT.025.210

## PLUGS



NOMINAL SIZE			PART NUMBER	COLOR	MATERIAL
DNP	BG	ISO			
20	3	12.5	TPOF20	●	PVC



NOMINAL SIZE			PART NUMBER	COLOR	MATERIAL
DNP	BG	ISO			
25	4	19	TPOF25	●	PVC



## Technical data

E

- Interchange: Faster P510
- Occlusion: flat face
- Locking: lever with safety device
- Material: steel and aluminum
- Finishing: Zn-Fe (Cr III), Anodizing
- Threads: BSP-SAE
- Standard seals: NBR and PU
- Working temperature: -25°C+100°C
- Optional seals: FKM, EPDM or more.
- Working pressure: 250 bar
- Connection under residual pressure: allowed (male side only)

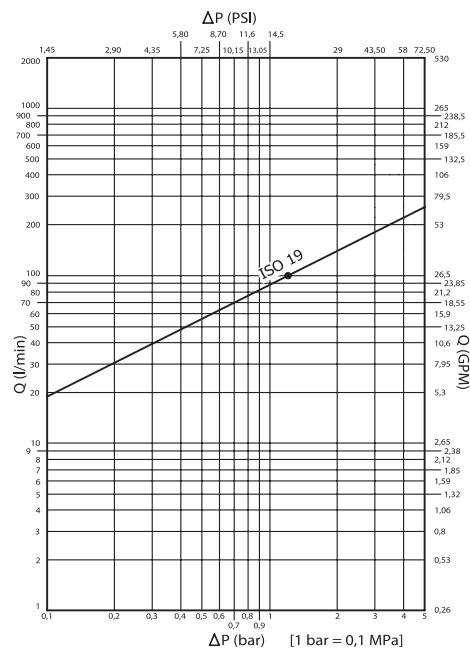
## Technische Merkmale

D

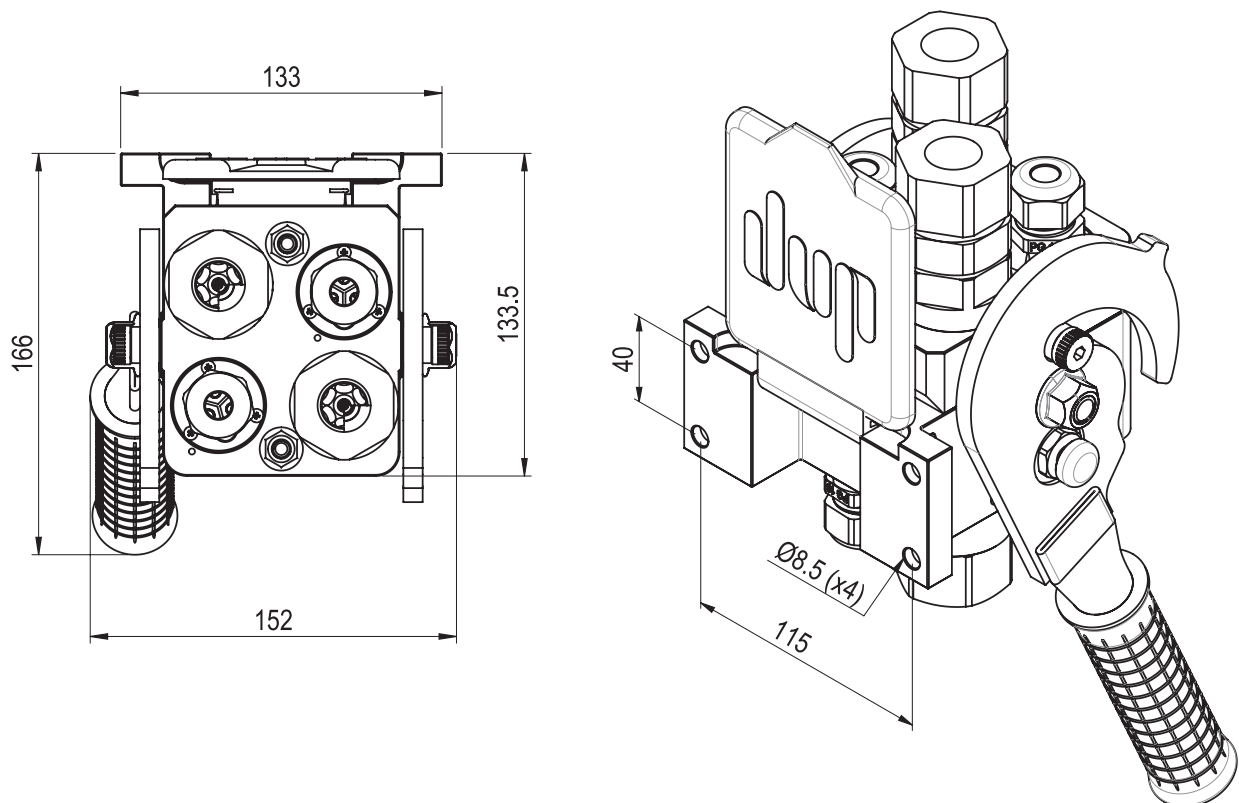
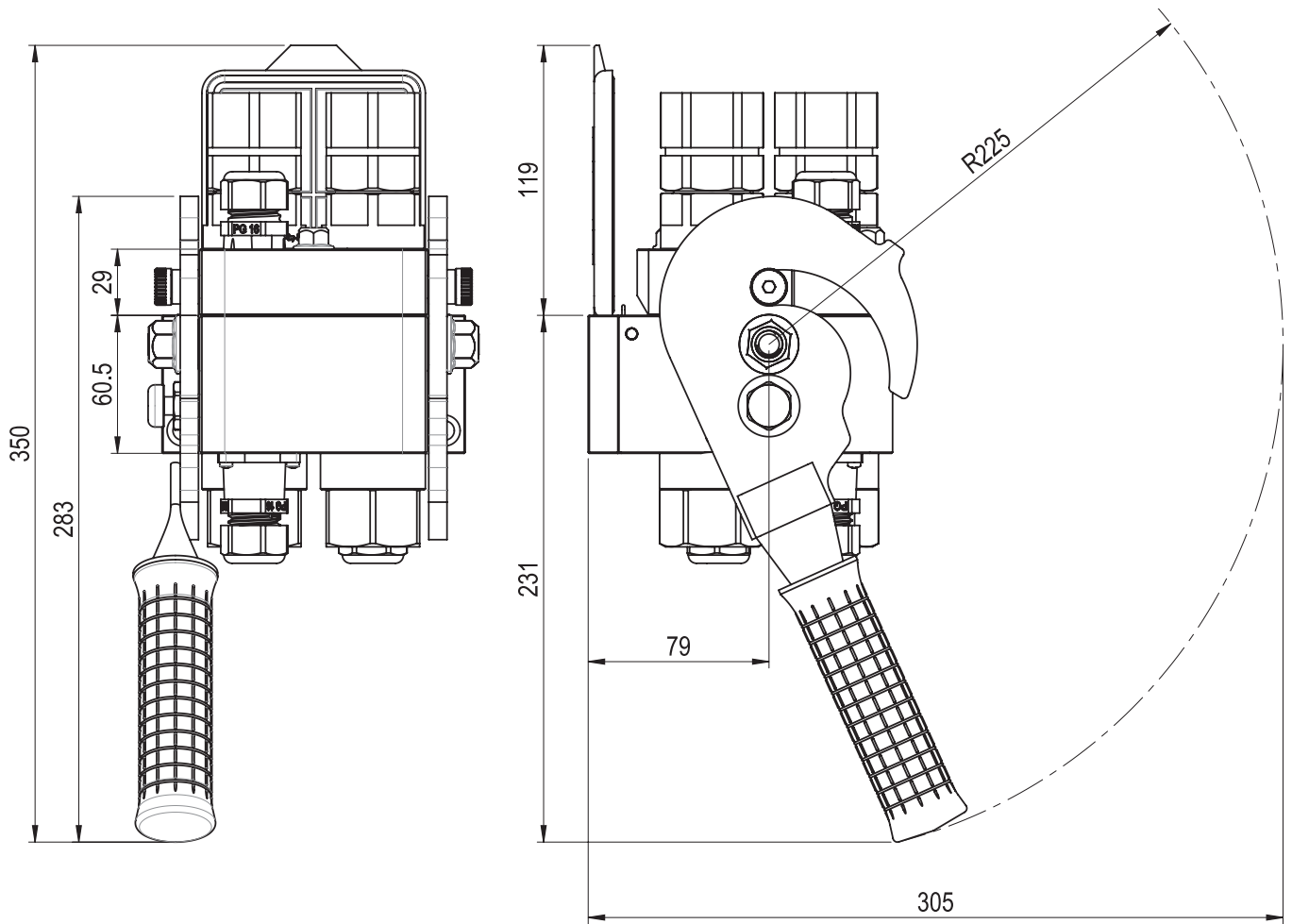
- Austauschbarkeit: Faster P510
- Verschluss: flachdichtend
- Kupplung: Hebel mit Sicherung
- Werkstoff: Stahl und Aluminium
- Ausführung: Zn-Fe (Cr III), Eloxiert
- Gewinde: BSP-SAE
- Standard-Dichtungen: NBR und PU
- Betriebstemperatur: -25°C+100°C
- Dichtungen nach Wahl: FKM, EPDM, usw.
- Betriebsdruck: 250 bar
- Kuppeln unter Restdruck: erlaubt (nur Steckerseite)

Nominal size				Max working pressure	Rated flow	Max flow rate	Min burst pressure			Fluid spillage
DNP	BG	ISO	Ømm				Male	Female	Coupled	
25	4	19	14.8	25 MPa	100 l/min	200 l/min	120 MPa	120 MPa	120 MPa	0.020 cc

1 MPa = 145.04 psi • 1 l = 0.264 gal



## PSF4 DIMENSION



## PSF4 FIXED



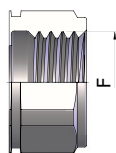
THREADS	DNP	BG	ISO	Housings	No. of Couplings	F	STANDARD	Electrical Connector		FIXED PART	
								No.	PINS	CODE	Weight (g)
<b>IG 1</b>	20	3	12.5	4	1	BSP 1/2"	DIN 3852-2	1	3	PSF4.1GCG.2EDG.3P.2	4630
	25	4	19		2	BSP 3/4"					
<b>IG 2</b>	20	3	12.5	4	1	1"-1/16-12 UN 2B	SAE J 1926-1	1	3	PSF4.1GDU.2ECU.3P.2	4800
	25	4	19		2	3/4"-16 UNF 2B					
	20	3	12.5	4	0	-	SAE J 1926-1	1	3	PSF4.2EDU.3P.2	4480
	25	4	19		2	1"-1/16-12 UN 2B					

## PSF4 MOBILE

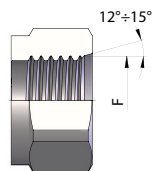


THREADS	DNP	BG	ISO	Housings	No. of Couplings	F	STANDARD	Electrical Connector		MOBILE PART	
								No.	PINS	CODE	Weight (g)
<b>IG 1</b>	20	3	12.5	4	1	BSP 1/2"	DIN 3852-2	1	3	PSF4.1GCG.2EDG.3P.3	2710
	25	4	19		2	BSP 3/4"					
<b>IG 2</b>	20	3	12.5	4	1	1"-1/16-12 UN 2B	SAE J 1926-1	1	3	PSF4.1GDU.2ECU.3P.3	2820
	25	4	19		2	3/4"-16 UNF 2B					
	20	3	12.5	4	0	-	SAE J 1926-1	1	3	PSF4.2EDU.3P.3	2300
	25	4	19		2	1"-1/16-12 UN 2B					

THREADS



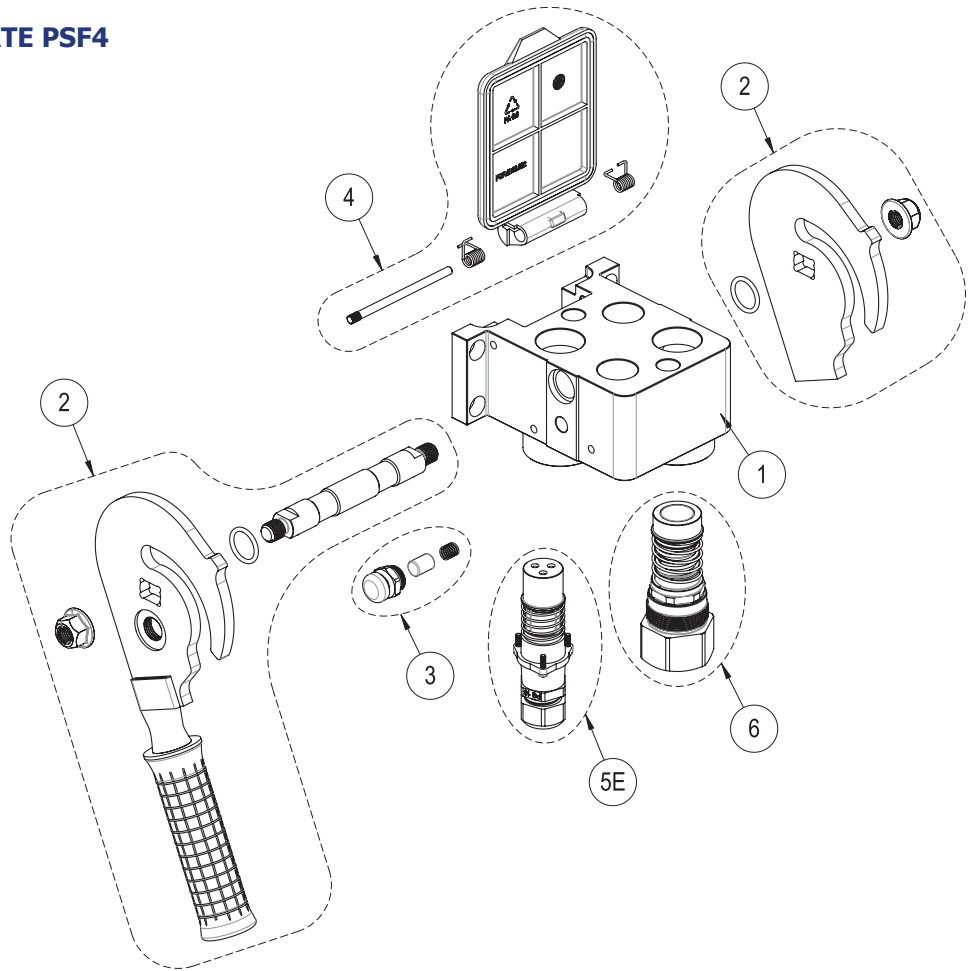
IG 1



IG 2

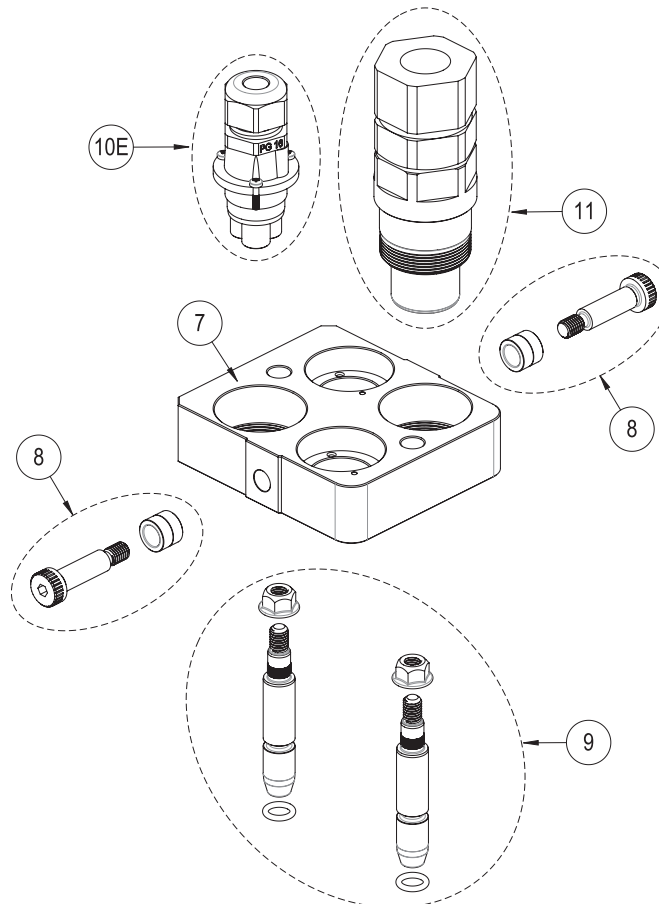
## SPARE PARTS FIXED PLATE PSF4

POS.	PART NUMBER	WEIGHT (g)
1	PSF.2C2G.102	1398
2	PSF.KIT.442	33
3	PSF.KIT.050	1800
4	PSF.KIT.4902	114
5E	SEE SPARE PARTS ELECTRICAL CONNECTOR	
6	SEE SPARE PARTS ISO 19	

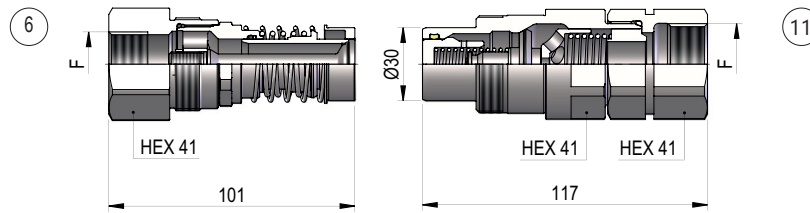


## SPARE PARTS MOBILE PLATE PSF4

POS.	PART NUMBER	WEIGHT (g)
7	PSF.2C2G.103	501
8	PSF.KIT.120	72
9	PSF.KIT.017	169
10E	SEE SPARE PARTS ELECTRICAL CONNECTOR	
11	SEE SPARE PARTS ISO 19	

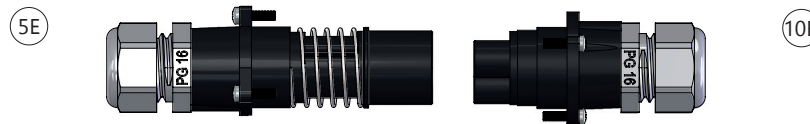


## SPARE PARTS ISO 19 COUPLINGS



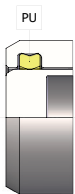
THREADS	DNP	BG	ISO	F	STANDARD	SPARE PARTS				
						FEMALE - MUFFE		MALE - STECKER		
						COD. F	Weight (g)	COD. M	Weight (g)	
<b>IG 1</b>		25	4	19	BSP 3/4"	DIN 3852-2	POF4.2519.112 R	454	POF4.2519.113	760
		25	4	19	BSP 1"	DIN 3852-2	POF4.2525.112 R	404	POF4.2525.113	696
<b>IG 2</b>		25	4	19	3/4"-16 UNF 2B	SAE J 1926-1	POF4.2519.032 R	493	POF4.2519.033	815
		25	4	19	1-1/16"-12 UN 2B	SAE J 1926-1	POF4.2527.032 R	445	POF4.2527.033	754

## SPARE PARTS ELECTRICAL CONNECTOR



SPARE PARTS			
FEMALE - MUFFE (5E)		MALE - STECKER (10E)	
COD. F	Weight (g)	COD. M	Weight (g)
SEF.3P04.002	60	SEF.3P04.003	39

## SPARE PARTS SEALS



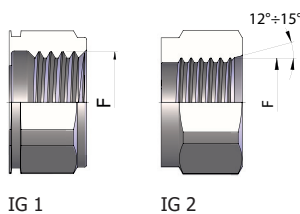
NOMINAL SIZE			MALE GASKET
DNP	BG	ISO	PU (POLYURETHANE)
25	4	19	PVT.025.210

## PLUGS



NOMINAL SIZE			PART NUMBER	COLOR	MATERIAL
DNP	BG	ISO			
20	3	12.5	TPOF20	●	PVC

## THREADS





## Technical data

E

- Interchange: Faster P5065
- Occlusion: flat face
- Locking: lever with safety device
- Material: steel and aluminum
- Finishing: Zn-Fe (Cr III), Anodizing
- Threads: BSP-NPT-SAE-METRICS
- Standard seals: NBR and PU
- Working temperature: -25°C+100°C
- Optional seals: FKM, EPDM or more.
- Working pressure: 250 bar
- Connection under residual pressure: allowed (male side only)

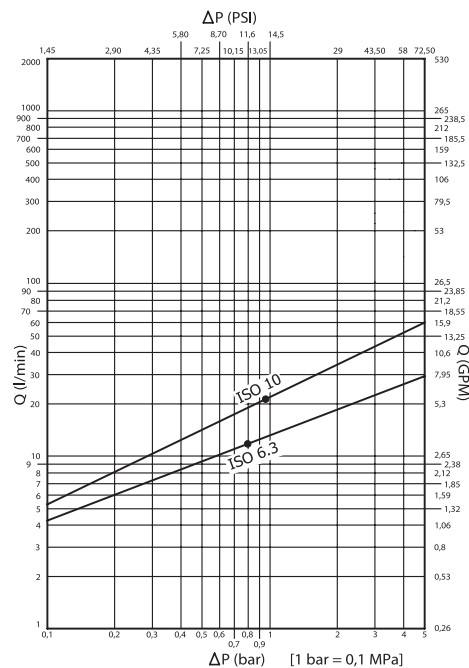
## Technische Merkmale

D

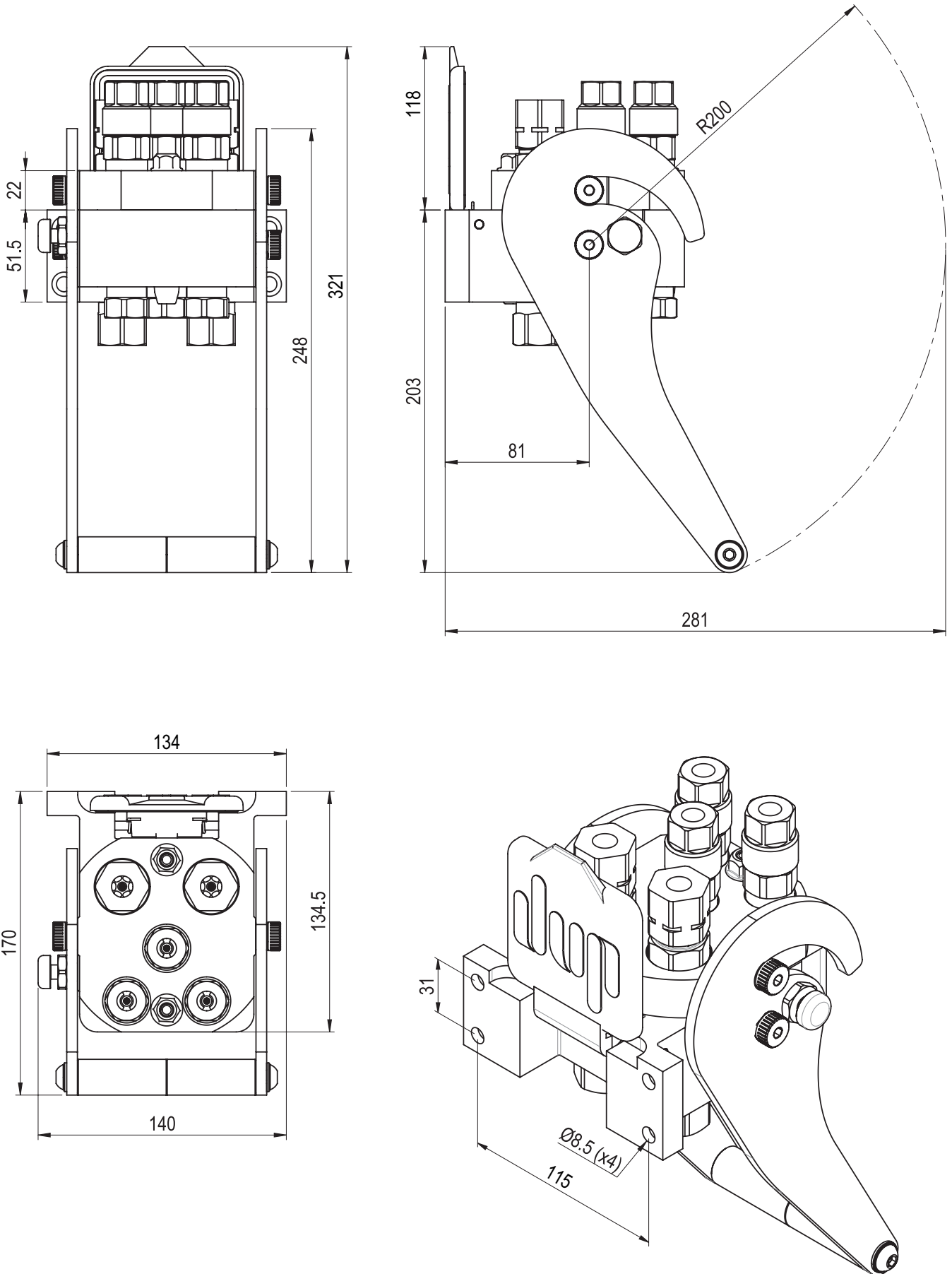
- Austauschbarkeit: Faster P5065
- Verschluss: flachdichtend
- Kupplung: Hebel mit Sicherung
- Werkstoff: Stahl und Aluminium
- Ausführung: Zn-Fe (Cr III), Eloxiert
- Gewinde: BSP-NPT-SAE-METRISCHE
- Standard-Dichtungen: NBR und PU
- Betriebstemperatur: -25°C+100°C
- Dichtungen nach Wahl: FKM, EPDM, usw.
- Betriebsdruck: 250 bar
- Kuppeln unter Restdruck: erlaubt (nur Steckerseite)

Nominal size				Max working pressure MPa	Rated flow l/min	Max flow rate l/min	Min burst pressure			Fluid spillage cc
DNP	BG	ISO	Ømm				Male MPa	Female MPa	Coupled MPa	
06	1	6.3	6	25	12	24	120	120	120	0.008
13	2	10	8.6	25	23	46	120	120	120	0.010

1 MPa = 145.04 psi • 1 l = 0.264 gal



## PSF5 DIMENSION



## PSF5 FIXED



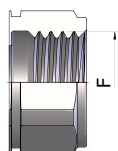
THREADS	DNP	BG	ISO	Housings	No. of Couplings	F	STANDARD	FIXED PART	
								CODE	Weight (g)
<b>IG 1</b>	06	1	6.3	5	3	BSP 1/4"	DIN 3852-2	PSF5.3AAG.2CCG.2	3505
	13	2	10		2	BSP 1/2"			
	06	1	6.3	5	3	BSP 1/4"	DIN 3852-2	PSF5.3AAG.2CBG.2	3540
	13	2	10		2	BSP 3/8"			
	06	1	6.3	5	2	BSP 1/4"	DIN 3852-2	PSF5.2AAG.2	3160
	13	2	10		0	-			
	06	1	6.3	5	0	-	-	PSF5.2CCG.2	3260
	13	2	10		2	BSP 1/2"			
<b>IG 2</b>	06	1	6.3	5	2	3/4"-16 UNF-2B	SAE J 1926-1	PSF5.2ACU.2CBU.2	3340
	13	2	10		2	9/16"-18 UNF-2B			
	06	1	6.3	5	1	9/16"-18 UNF-2B	SAE J 1926-1	PSF5.1ABU.2CCU.2	3475
	13	2	10		2	3/4"-16 UNF-2B			
	06	1	6.3	5	2	9/16"-18 UNF-2B	SAE J 1926-1	PSF5.2ABU.2	3160
	13	2	10		0	-			
	06	1	6.3	5	3	9/16"-18 UNF-2B	SAE J 1926-1	PSF5.3ABU.2CCU.2	3520
	13	2	10		2	3/4"-16 UNF-2B			
	06	1	6.3	5	3	9/16"-18 UNF-2B	SAE J 1926-1	PSF5.3ABU.2	3245
	13	2	10		0	-			
	06	1	6.3	5	2	9/16"-18 UNF-2B	SAE J 1926-1	PSF5.2ABU.2CCU.2	3430
	13	2	10		2	3/4"-16 UNF-2B			

## PSF5 MOBILE

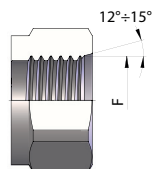


THREADS	DNP	BG	ISO	Housings	No. of Couplings	F	STANDARD	MOBILE PART	
								CODE	Weight (g)
<b>IG 1</b>	06	1	6.3	5	3	BSP 1/4"	DIN 3852-2	PSF5.3AAG.2CCG.3	1610
	13	2	10		2	BSP 1/2"			
	06	1	6.3	5	3	BSP 1/4"	DIN 3852-2	PSF5.3AAG.2CBG.3	1630
	13	2	10		2	BSP 3/8"			
	06	1	6.3	5	2	BSP 1/4"	DIN 3852-2	PSF5.2AAG.3	1060
	13	2	10		0	-			
	06	1	6.3	5	0	-	-	PSF5.2CCG.3	1040
	13	2	10		2	BSP 1/2"			
<b>IG 2</b>	06	1	6.3	5	2	3/4"-16 UNF-2B	SAE J 1926-1	PSF5.2ACU.2CBU.3	1570
	13	2	10		2	9/16"-18 UNF-2B			
	06	1	6.3	5	1	9/16"-18 UNF-2B	SAE J 1926-1	PSF5.1ABU.2CCU.3	1280
	13	2	10		2	3/4"-16 UNF-2B			
	06	1	6.3	5	2	9/16"-18 UNF-2B	SAE J 1926-1	PSF5.2ABU.3	1060
	13	2	10		0	-			
	06	1	6.3	5	3	9/16"-18 UNF-2B	SAE J 1926-1	PSF5.3ABU.2CCU.3	1660
	13	2	10		2	3/4"-16 UNF-2B			
	06	1	6.3	5	3	9/16"-18 UNF-2B	SAE J 1926-1	PSF5.3ABU.3	1240
	13	2	10		0	-			
	06	1	6.3	5	2	9/16"-18 UNF-2B	SAE J 1926-1	PSF5.2ABU.2CCU.3	1470
	13	2	10		2	3/4"-16 UNF-2B			

THREADS



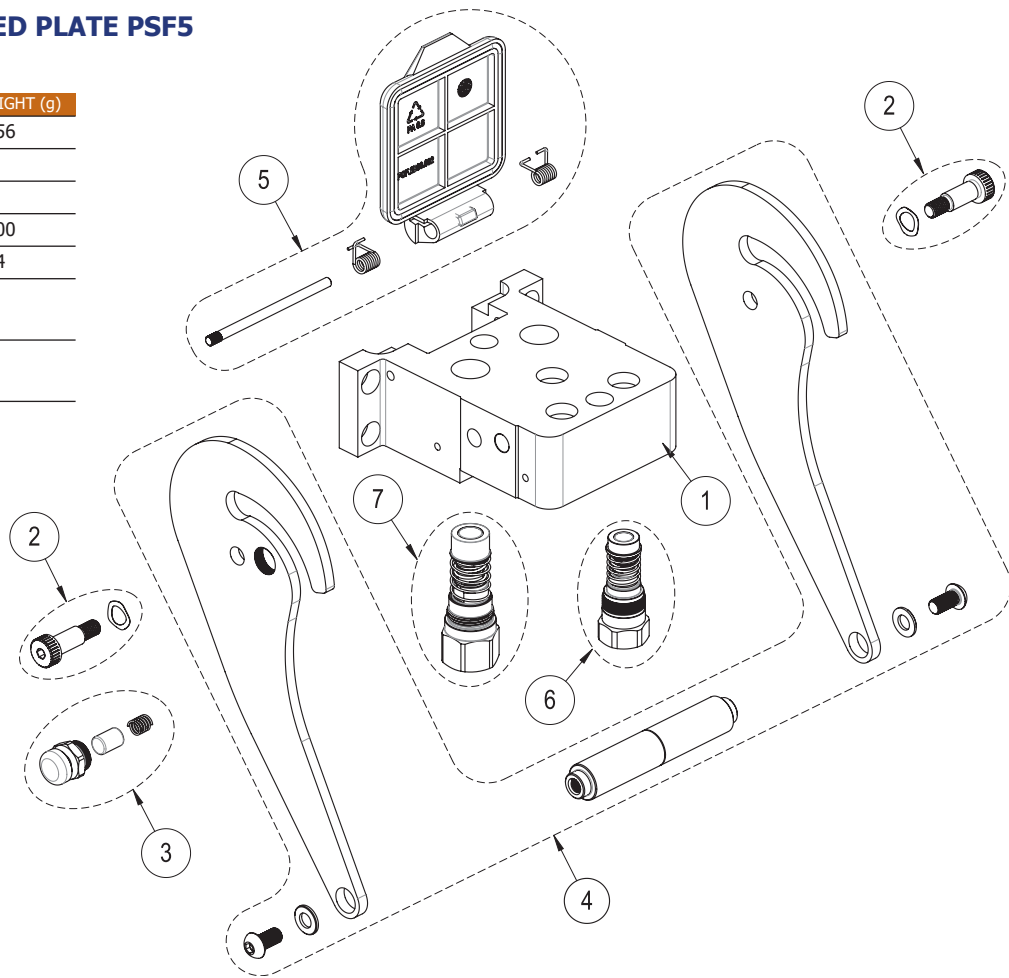
IG 1



IG 2

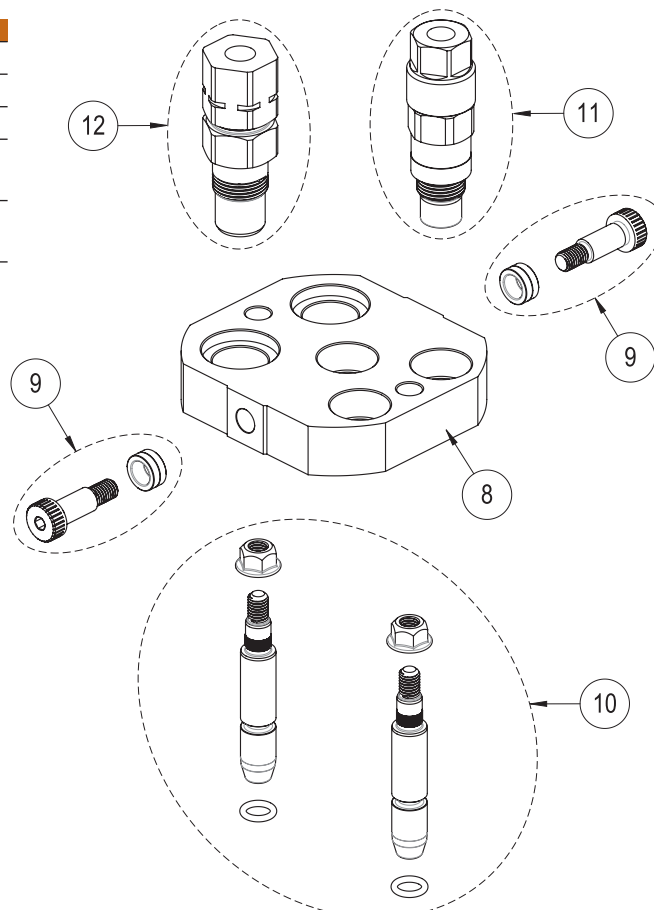
## SPARE PARTS FIXED PLATE PSF5

POS.	PART NUMBER	WEIGHT (g)
1	PSF.3A2B.102	1256
2	PSQ.KIT.011	51
3	PSF.KIT.050	33
4	PSF.KIT.342	1500
5	PSF.KIT.4902	114
6	SEE SPARE PARTS ISO 6.3	
7	SEE SPARE PARTS ISO 10	

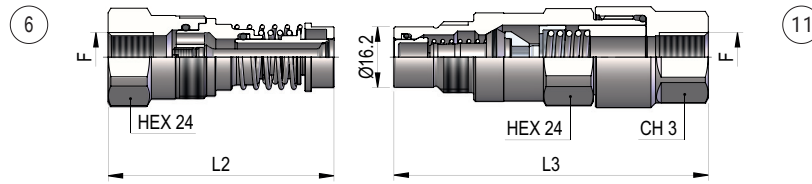


## SPARE PARTS MOBILE PLATE PSF5

POS.	PART NUMBER	WEIGHT (g)
8	PSF.3A2B.103	450
9	PSF.KIT.120	72
10	PSF.KIT.017	169
11	SEE SPARE PARTS ISO 6.3	
12	SEE SPARE PARTS ISO 10	

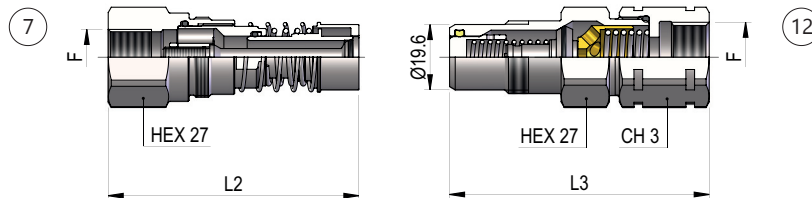


## SPARE PARTS ISO 6.3 COUPLINGS



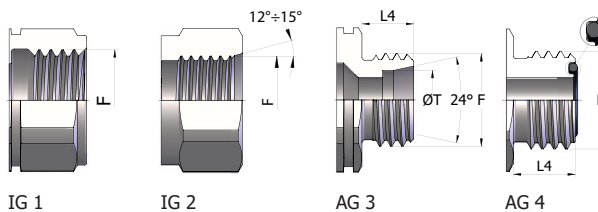
THREADS	DNP	BG	ISO	L2	CH3	L3	F	STANDARD	SPARE PARTS			
									FEMALE - MUFFE		MALE - STECKER	
									COD. F	Weight (g)	COD. M	Weight (g)
<b>IG 1</b>	06	1	6.3	60	22	83.5	BSP 1/4"	DIN 3852-2	POF4.0606.112 R	96	POF4.0606.113	190
	06	1	6.3	60	22	83.5	9/16"-18 UNF 2B	SAE J 1926-1	POF4.0615.032 R	92	POF4.0615.033	187
<b>IG 2</b>	06	1	6.3	62	27	86.5	3/4"-16 UNF 2B	SAE J 1926-1	POF4.0619.032 R	99	POF4.0619.033	228

## SPARE PARTS ISO 10 COUPLINGS

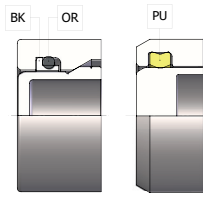


THREADS	DNP	BG	ISO	L2	CH3	L3	L4	ØT	F	STANDARD	SPARE PARTS			
											FEMALE - MUFFE		MALE - STECKER	
											COD. F	Weight (g)	COD. M	Weight (g)
<b>IG 1</b>	13	2	10	75.3	27	78			BSP 3/8"	DIN 3852-2	POF4.1310.112 R	150	POF4.1310.113	188
	13	2	10	75.3	27	78			BSP 1/2"	DIN 3852-2	POF4.1313.112 R	135	POF4.1313.113	179
	13	2	10	75.3	30	81			NPT 3/8"	ANSI B1.20.1	POF4.1310.012 R	160	POF4.1310.013	233
	13	2	10	79.3	30	81			NPT 1/2"	ANSI B1.20.1	POF4.1313.012 R	157	POF4.1313.013	217
<b>IG 2</b>	13	2	10	75.4	30	78			9/16"-18 UNF 2B	SAE J 1926-1	POF4.1315.032 R	162	POF4.1315.033	214
	13	2	10	75.3	30	78			3/4"-16 UNF 2B	SAE J 1926-1	POF4.1319.032 R	147	POF4.1319.033	206
<b>AG 3</b>	13	2	10	83.3	27	76	11	10L	M16x1.5	ISO 8434-1-L	POF4.1316.302 R	160	POF4.1316.303	163
	13	2	10	83.3	27	76	11	12L	M18x1.5	ISO 8434-1-L	POF4.1318.302 R	160	POF4.1318.303	164
	13	2	10	84.3	27	77	12	15L	M22x1.5	ISO 8434-1-L	POF4.1322.302 R	165	POF4.1322.303	169
	13	2	10	84.3	30	77	12	12S	M20x1.5	ISO 8434-1-S	POF4.1320.402 R	170	POF4.1320.403	184
<b>AG 4</b>	13	2	10	85.3	27	78	13		13/16"-16 UN	ISO 8434-3	POF4.1321.432 R	170	POF4.1321.433	178

THREADS



## SPARE PARTS SEALS



NOMINAL SIZE			MALE GASKET		MALE GASKET
DNP	BG	ISO	OR (NBR*)	BK (PTFE)	PU (POLIURETHANE)
06	1	6.3	PLT.006.120	PLT.006.130	-
13	2	10	-	-	PLK.013.210

\*TO THE NBR GASKET CODE ADD 'E' FOR EPDM OR 'V' FOR VITON

\*ZU DER ARTIKELNR. DER NBR DICHTUNG GEBEN SIE 'E' FUER EPDM ODER 'V' FUER VITON AN

## PLUGS



NOMINAL SIZE			PART NUMBER	COLOR	MATERIAL
DNP	BG	ISO			
06	1	6.3	TPOF06	●	PVC



NOMINAL SIZE			PART NUMBER	COLOR	MATERIAL
DNP	BG	ISO			
13	2	10	TPOF13	●	PVC



## Technical data

E

- Interchange: Faster P506-x
- Occlusion: flat face
- Locking: lever with safety device
- Material: steel and aluminum
- Finishing: Zn-Fe (Cr III), Anodizing
- Threads: BSP-NPT-SAE-METRICS
- Standard seals: NBR and PU
- Working temperature: -25°C+100°C
- Optional seals: FKM, EPDM or more.
- Working pressure: 250 bar
- Connection under residual pressure: allowed (male side only)

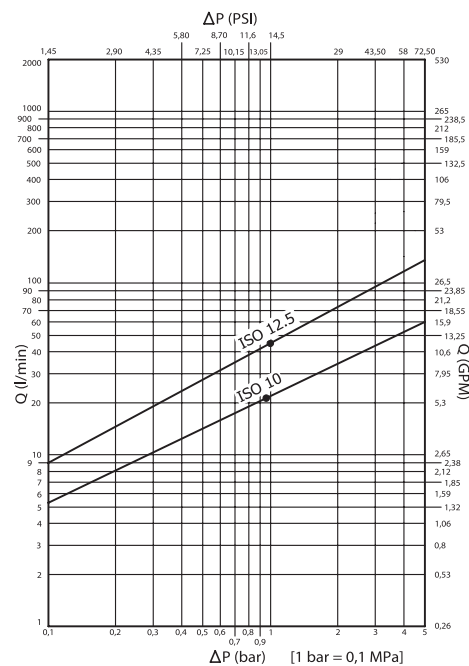
## Technische Merkmale

D

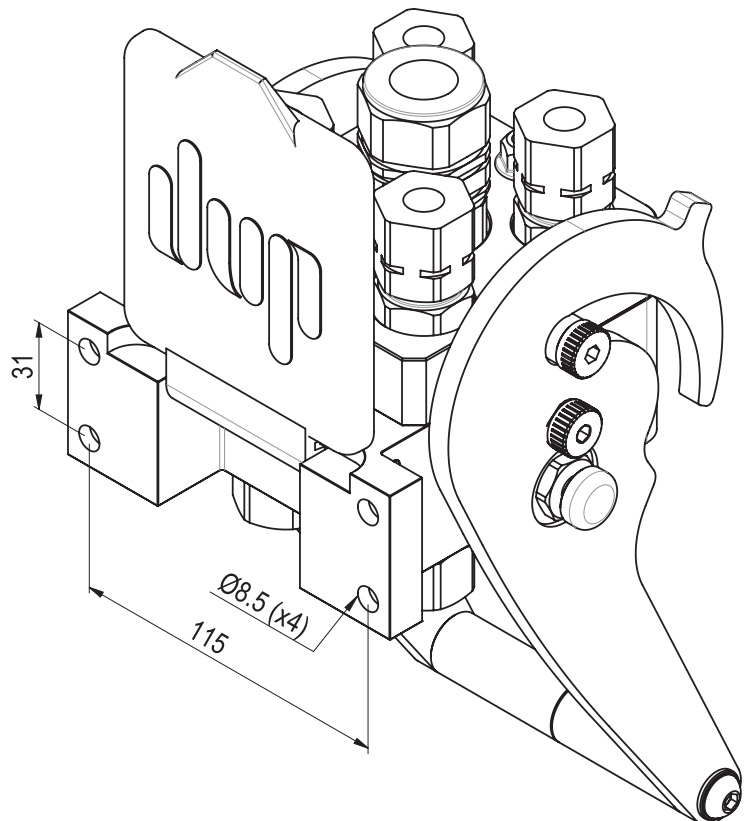
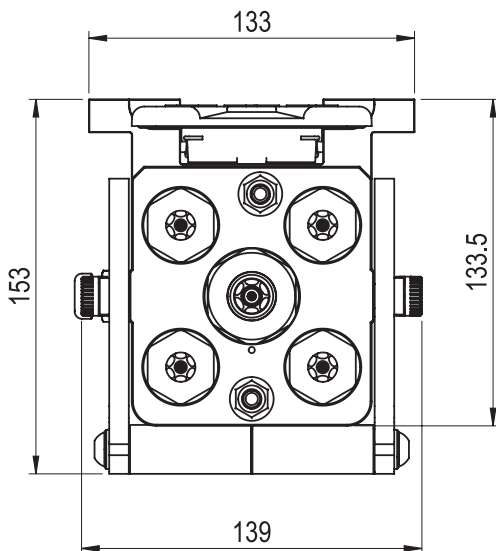
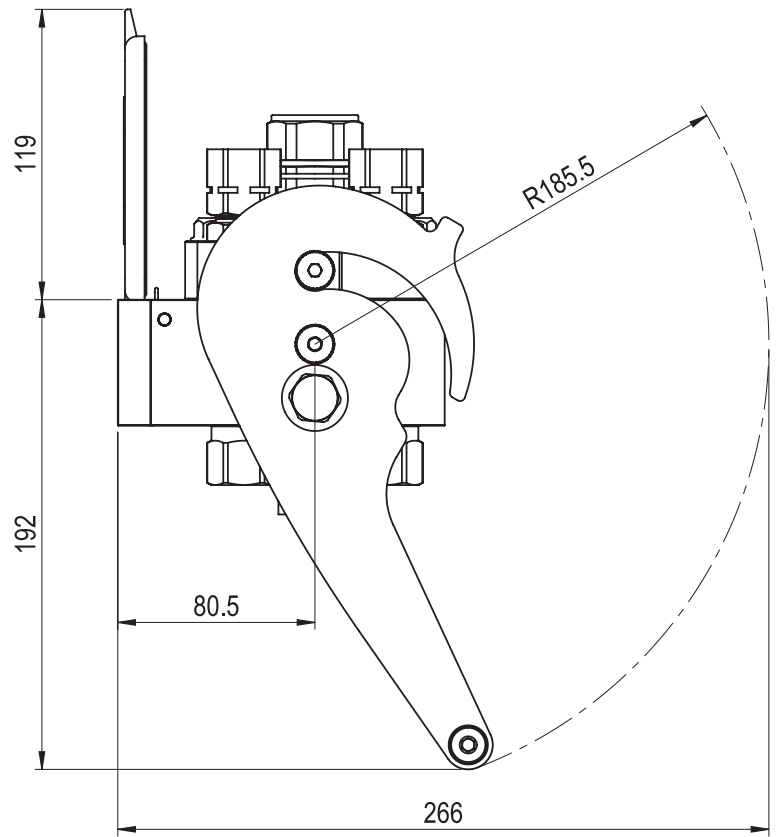
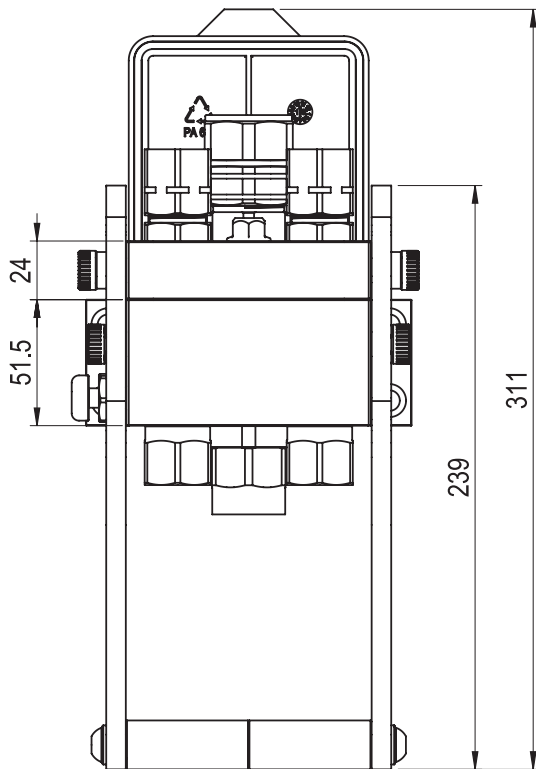
- Austauschbarkeit: Faster P506-x
- Verschluss: flachdichtend
- Kupplung: Hebel mit Sicherung
- Werkstoff: Stahl und Aluminium
- Ausführung: Zn-Fe (Cr III), Eloxiert
- Gewinde: BSP-NPT-SAE-METRISCHE
- Standard-Dichtungen: NBR und PU
- Betriebstemperatur: -25°C+100°C
- Dichtungen nach Wahl: FKM, EPDM, usw.
- Betriebsdruck: 250 bar
- Kuppeln unter Restdruck: erlaubt (nur Steckerseite)

Nominal size				Max working pressure MPa	Rated flow l/min	Max flow rate l/min	Min burst pressure			Fluid spillage cc
DNP	BG	ISO	Ømm				Male MPa	Female MPa	Coupled MPa	
13	2	10	8.6	25	23	46	120	120	120	0.010
20	3	12.5	10.7	25	45	90	120	120	120	0.012

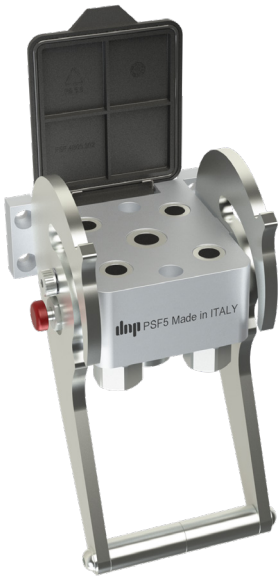
1 MPa = 145.04 psi • 1 l = 0.264 gal



## PSF5 DIMENSION



## PSF5 FIXED



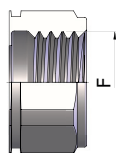
THREADS	DNP	BG	ISO	Housings	No. of Couplings	F	STANDARD	FIXED PART	
								CODE	Weight (g)
<b>IG 1</b>	13	2	10	5	4	BSP 3/8"	DIN 3852-2	PSF5.4CBG.1GCG.2	4070
	20	3	12.5		1	BSP 1/2"			
	13	2	10	5	4	BSP 3/8"	DIN 3852-2	PSF5.4CBG.2	3800
	20	3	12.5		0	-			
	13	2	10	5	4	BSP 1/2"	DIN 3852-2	PSF5.4CCG.2	3700
	20	3	12.5		0	-			
<b>IG 2</b>	13	2	10		3	BSP 3/8"	BS 5380		
<b>AG 3</b>	13	2	10	5	1	M22x1.5-15L	ISO 8434-1-L	PSF5.3CBB.1CEL.1GEL.2	4000
	20	3	12.5		1	M22x1.5-15L			
	13	2	10	5	4	M22x1.5-15L	ISO 8434-1-L	PSF5.4CEL.2	3850
	20	3	12.5		0	-			
	13	2	10	5	4	M22x1.5-15L	ISO 8434-1-L	PSF5.4CEL.1GEL.2	4020
	20	3	12.5		1	M22x1.5-15L			

## PSF5 MOBILE

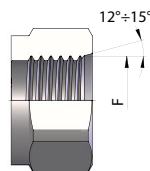


THREADS	DNP	BG	ISO	Housings	No. of Couplings	F	STANDARD	MOBILE PART	
								CODE	Weight (g)
<b>IG 1</b>	13	2	10	5	4	BSP 3/8"	DIN 3852-2	PSF5.4CBG.1GCG.3	1880
	20	3	12.5		1	BSP 1/2"			
	13	2	10	5	4	BSP 3/8"	DIN 3852-2	PSF5.4CBG.3	1480
	20	3	12.5		0	-			
	13	2	10	5	4	BSP 1/2"	DIN 3852-2	PSF5.4CCG.3	1450
	20	3	12.5		0	-			
<b>IG 2</b>	13	2	10		3	BSP 3/8"	BS 5380		
<b>AG 3</b>	13	2	10	5	1	M22x1.5-15L	ISO 8434-1-L	PSF5.3CBB.1CEL.1GEL.3	1750
	20	3	12.5		1	M22x1.5-15L			
	13	2	10	5	4	M22x1.5-15L	ISO 8434-1-L	PSF5.4CEL.3	1450
	20	3	12.5		0	-			
	13	2	10	5	4	M22x1.5-15L	ISO 8434-1-L	PSF5.4CEL.1GEL.3	1750
	20	3	12.5		1	M22x1.5-15L			

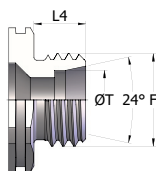
THREADS



IG 1



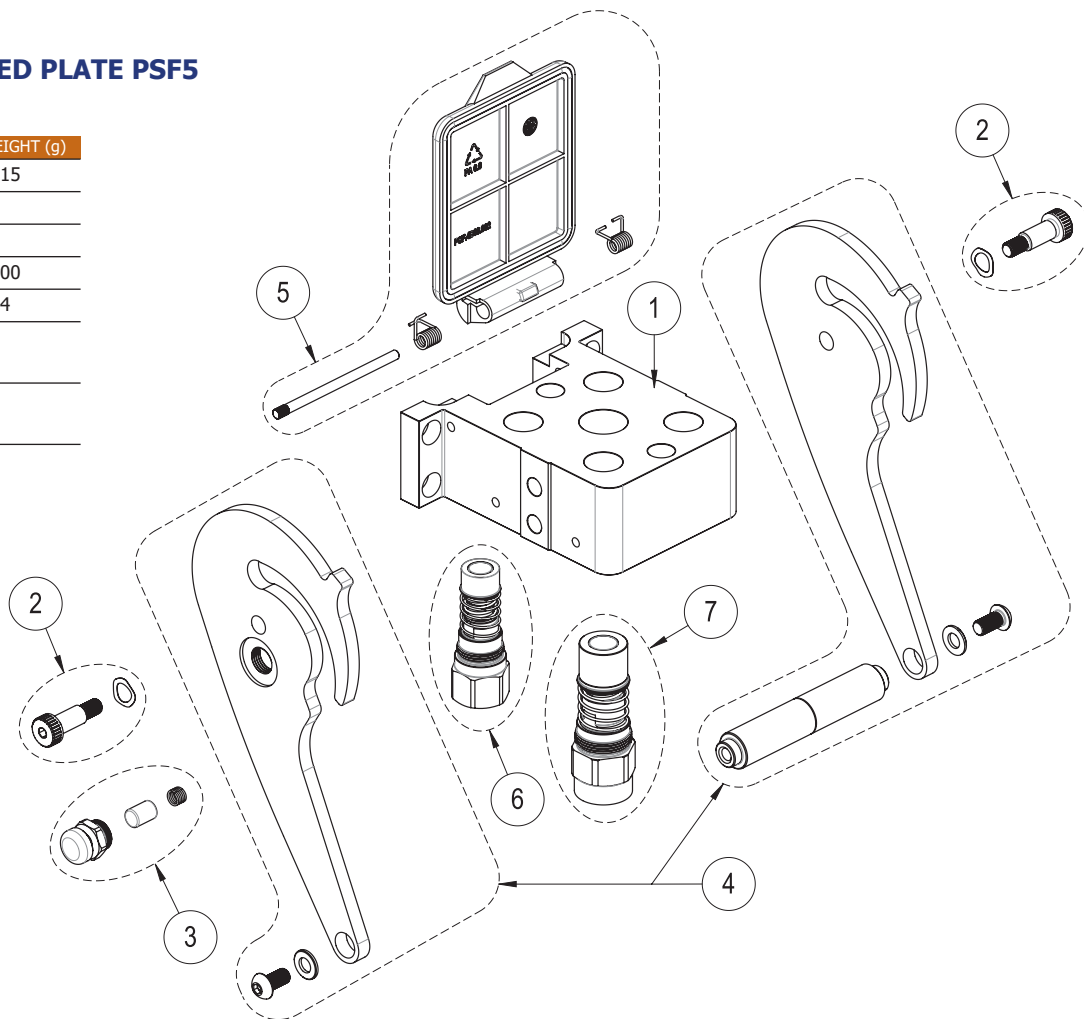
IG 2



AG 3

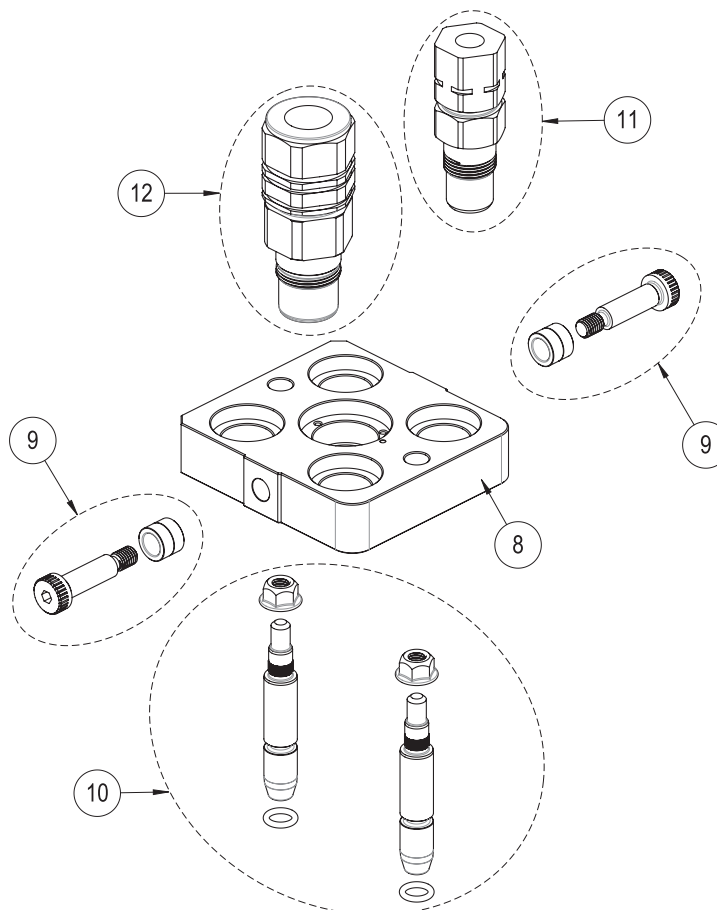
## SPARE PARTS FIXED PLATE PSF5

POS.	PART NUMBER	WEIGHT (g)
1	PSF.4B1G.102	1315
2	PSQ.KIT.011	51
3	PSF.KIT.050	33
4	PSF.KIT.242	1700
5	PSF.KIT.4902	114
6	SEE SPARE PARTS ISO 10	
7	SEE SPARE PARTS ISO 12.5	

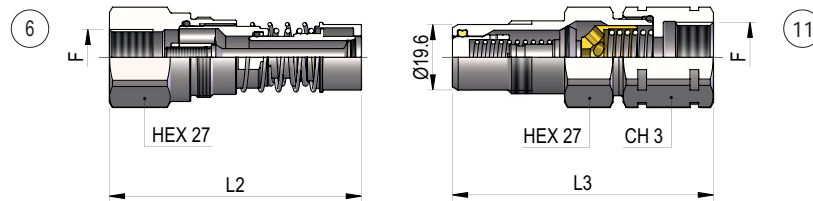


## SPARE PARTS MOBILE PLATE PSF5

POS.	PART NUMBER	WEIGHT (g)
8	PSF.4B1G.103	480
9	PSF.KIT.120	61
10	PSF.KIT.017	169
11	SEE SPARE PARTS ISO 10	
12	SEE SPARE PARTS ISO 12.5	

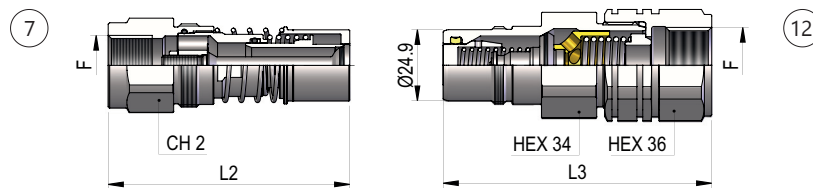


## SPARE PARTS ISO 10 COUPLINGS



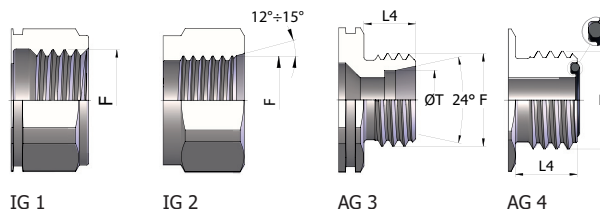
THREADS	DNP	BG	ISO	L2	CH3	L3	L4	ØT	F	STANDARD	SPARE PARTS			
											FEMALE - MUFFE		MALE - STECKER	
											COD. F	Weight (g)	COD. M	Weight (g)
<b>IG 1</b>	13	2	10	75.3	27	78			BSP 3/8"	DIN 3852-2	POF4.1310.112 R	150	POF4.1310.113	188
	13	2	10	75.3	27	78			BSP 1/2"	DIN 3852-2	POF4.1313.112 R	135	POF4.1313.113	179
	13	2	10	75.3	30	81			NPT 3/8"	ANSI B1.20.1	POF4.1310.012 R	160	POF4.1310.013	233
	13	2	10	79.3	30	81			NPT 1/2"	ANSI B1.20.1	POF4.1313.012 R	157	POF4.1313.013	217
<b>IG 2</b>	13	2	10	75.4	30	78			9/16"-18 UNF 2B	SAE J 1926-1	POF4.1315.032 R	162	POF4.1315.033	214
	13	2	10	75.3	30	78			3/4"-16 UNF 2B	SAE J 1926-1	POF4.1319.032 R	147	POF4.1319.033	206
<b>AG 3</b>	13	2	10	83.3	27	76	11	10L	M16x1.5	ISO 8434-1-L	POF4.1316.302 R	160	POF4.1316.303	163
	13	2	10	83.3	27	76	11	12L	M18x1.5	ISO 8434-1-L	POF4.1318.302 R	160	POF4.1318.303	164
	13	2	10	84.3	27	77	12	15L	M22x1.5	ISO 8434-1-L	POF4.1322.302 R	165	POF4.1322.303	169
	13	2	10	84.3	30	77	12	12S	M20x1.5	ISO 8434-1-S	POF4.1320.402 R	170	POF4.1320.403	184
<b>AG 4</b>	13	2	10	85.3	27	78	13		13/16"-16 UN	ISO 8434-3	POF4.1321.432 R	170	POF4.1321.433	178

## SPARE PARTS ISO 12.5 COUPLINGS

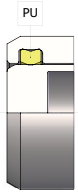


THREADS	DNP	BG	ISO	CH2	L2	L3	L4	ØT	F	STANDARD	SPARE PARTS			
											FEMALE - MUFFE		MALE - STECKER	
											COD. F	Weight (g)	COD. M	Weight (g)
<b>IG 1</b>	20	3	12.5	30	82	89.5			BSP 1/2"	DIN 3852-2	POF4.2013.112 R	208	POF4.2013.113	400
	20	3	12.5	30	83	91.8			NPT 1/2"	ANSI B1.20.1	POF4.2013.012 R	214	POF4.2013.013	413
	20	3	12.5	34	84	91.5			BSP 3/4"	DIN 3852-2	POF4.2019.112 R	223	POF4.2019.113	380
<b>IG 2</b>	20	3	12.5	30	82	87			3/4"-16 UNF 2B	SAE J 1926-1	POF4.2019.032 R	212	POF4.2019.033	392
	20	3	12.5	34	87	91			1-1/16"-12 UN 2B	SAE J 1926-1	POF4.2027.032 R	229	POF4.2027.033	401
<b>AG 3</b>	20	3	12.5	30	86	87	11	12L	M18x1.5	ISO 8434-1-L	POF4.2018.302 R	209	POF4.2018.303	338
	20	3	12.5	30	87	88	12	15L	M22x1.5	ISO 8434-1-L	POF4.2022.302 R	215	POF4.2022.303	343
	20	3	12.5	30	87	88	12	12S	M20x1.5	ISO 8434-1-S	POF4.2020.402 R	218	POF4.2020.403	345
	20	3	12.5	30	87	88	12	16S	M24x1.5	ISO 8434-1-S	POF4.2024.402 R	220	POF4.2024.403	355
<b>AG 4</b>	20	3	12.5	30	87.3	89	13		13/16"-16 UN	ISO 8434-3	POF4.2020.532 R	219	POF4.2020.533	354

THREADS



## SPARE PARTS SEALS



NOMINAL SIZE			MALE GASKET
DNP	BG	ISO	PU (POLYURETHANE)
13	2	10	PLK.013.210
20	3	12.5	PVT.019.210

## PLUGS



NOMINAL SIZE			PART NUMBER	COLOR	MATERIAL
DNP	BG	ISO			
13	2	10	TPOF13	●	PVC



NOMINAL SIZE			PART NUMBER	COLOR	MATERIAL
DNP	BG	ISO			
20	3	12.5	TPOF20	●	PVC



## Technical data

E

- Interchange: Faster P506-x
- Occlusion: flat face
- Locking: lever with safety device
- Material: steel and aluminum
- Finishing: Zn-Fe (Cr III), Anodizing
- Threads: BSP-NPT-SAE-METRICS
- Standard seals: NBR and PU
- Working temperature: -25°C+100°C
- Optional seals: FKM, EPDM or more.
- Working pressure: 250 bar
- Connection under residual pressure: allowed (male side only)

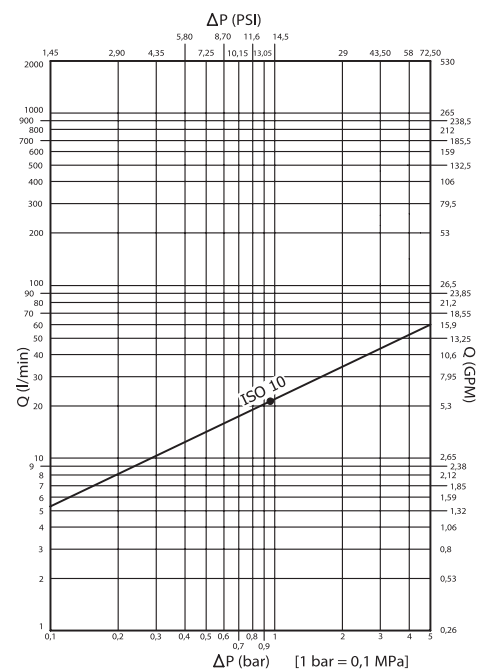
## Technische Merkmale

D

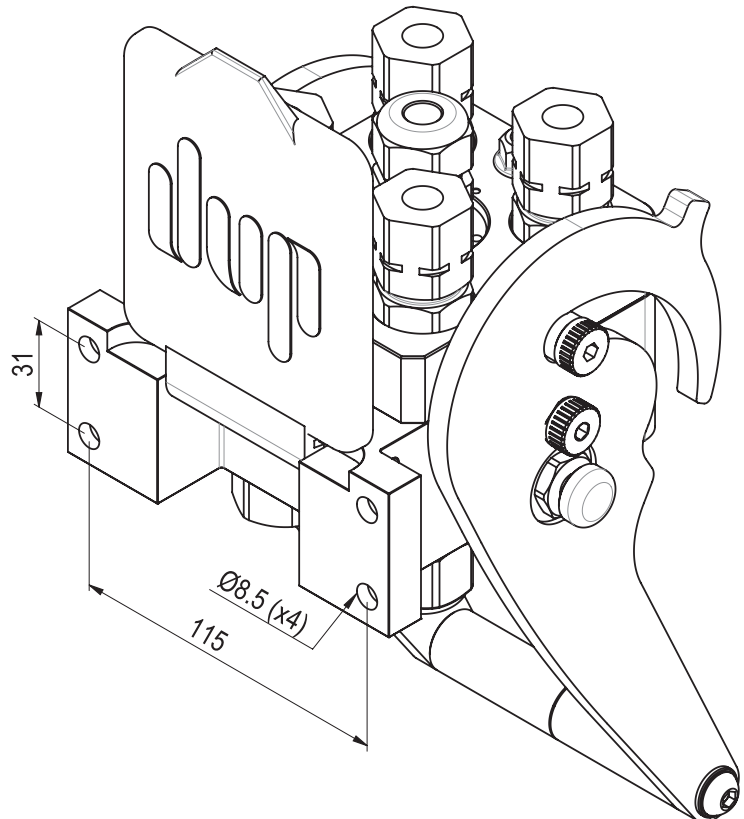
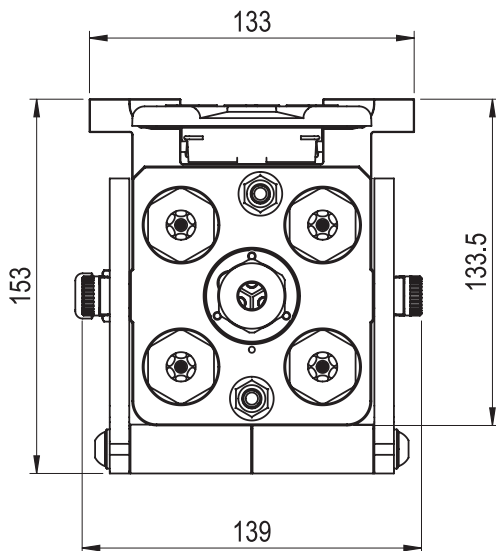
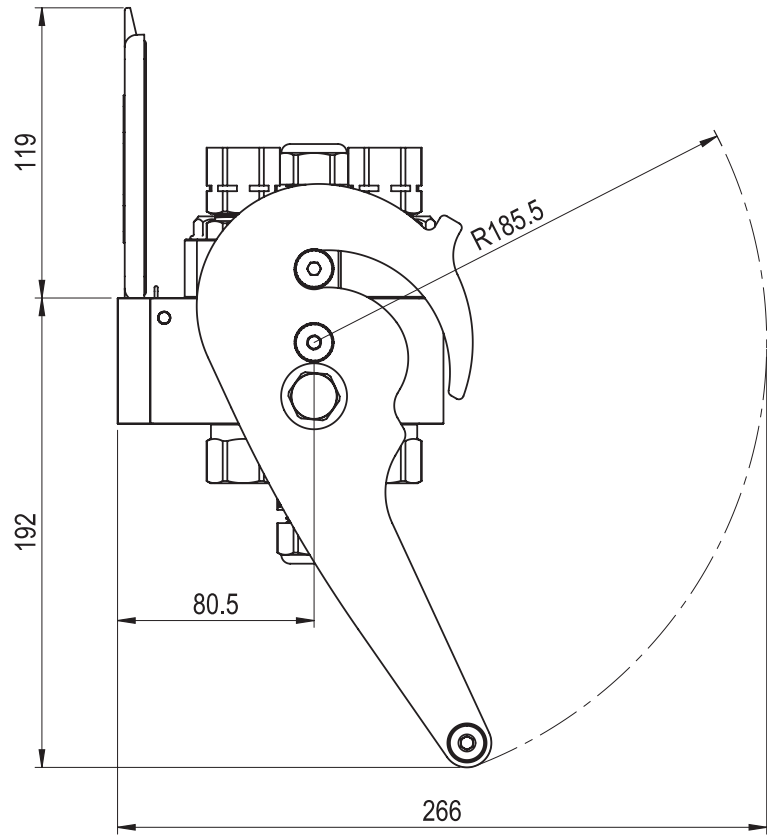
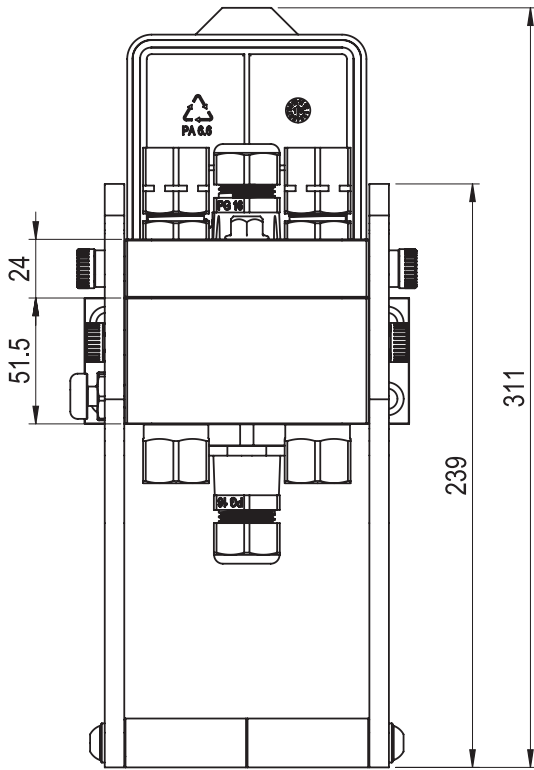
- Austauschbarkeit: Faster P506-x
- Verschluss: flachdichtend
- Kupplung: Hebel mit Sicherung
- Werkstoff: Stahl und Aluminum
- Ausführung: Zn-Fe (Cr III), Eloxiert
- Gewinde: BSP-NPT-SAE-METRISCHE
- Standard-Dichtungen: NBR und PU
- Betriebstemperatur: -25°C+100°C
- Dichtungen nach Wahl: FKM, EPDM, usw.
- Betriebsdruck: 250 bar
- Kuppeln unter Restdruck: erlaubt (nur Steckerseite)

Nominal size				Max working pressure MPa	Rated flow l/min	Max flow rate l/min	Min burst pressure			
DNP	BG	ISO	Ømm				Male MPa	Female MPa	Coupled MPa	Fluid spillage cc
13	2	10	8.6	25	23	46	120	120	120	0.010

1 MPa = 145.04 psi • 1 l = 0.264 gal



## PSF5 DIMENSION



## PSF5 FIXED



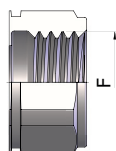
THREADS	DNP	BG	ISO	Housings	No. of Couplings	F	STANDARD	Electrical Connector		FIXED PART	
								No.	PINS	CODE	Weight (g)
<b>IG 1</b>	13	2	10	5	4	BSP 3/8"	DIN 3852-2	1	3	PSF5.4CBG.3P.2	3820
	20	3	12.5		0	-	-				
	13	2	10	5	4	BSP 1/2"	DIN 3852-2	1	3	PSF5.4CCG.3P.2	3750
	20	3	12.5		0	-	-				
<b>AG 3</b>	13	2	10	5	4	M22x1.5-15L	ISO 8434-1-L	1	3	PSF5.4CEL.3P.2	3870
	20	3	12.5		0	-	-				

## PSF5 MOBILE

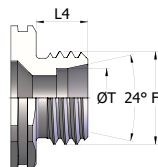


THREADS	DNP	BG	ISO	Housings	No. of Couplings	F	STANDARD	Electrical Connector		MOBILE PART	
								No.	PINS	CODE	Weight (g)
<b>IG 1</b>	13	2	10	5	4	BSP 3/8"	DIN 3852-2	1	3	PSF5.4CBG.3P.3	1520
	20	3	12.5		0	-	-				
	13	2	10	5	4	BSP 1/2"	DIN 3852-2	1	3	PSF5.4CCG.3P.3	1490
	20	3	12.5		0	-	-				
<b>AG 3</b>	13	2	10	5	4	M22x1.5-15L	ISO 8434-1-L	1	3	PSF5.4CEL.3P.3	1440
	20	3	12.5		0	-	-				

THREADS



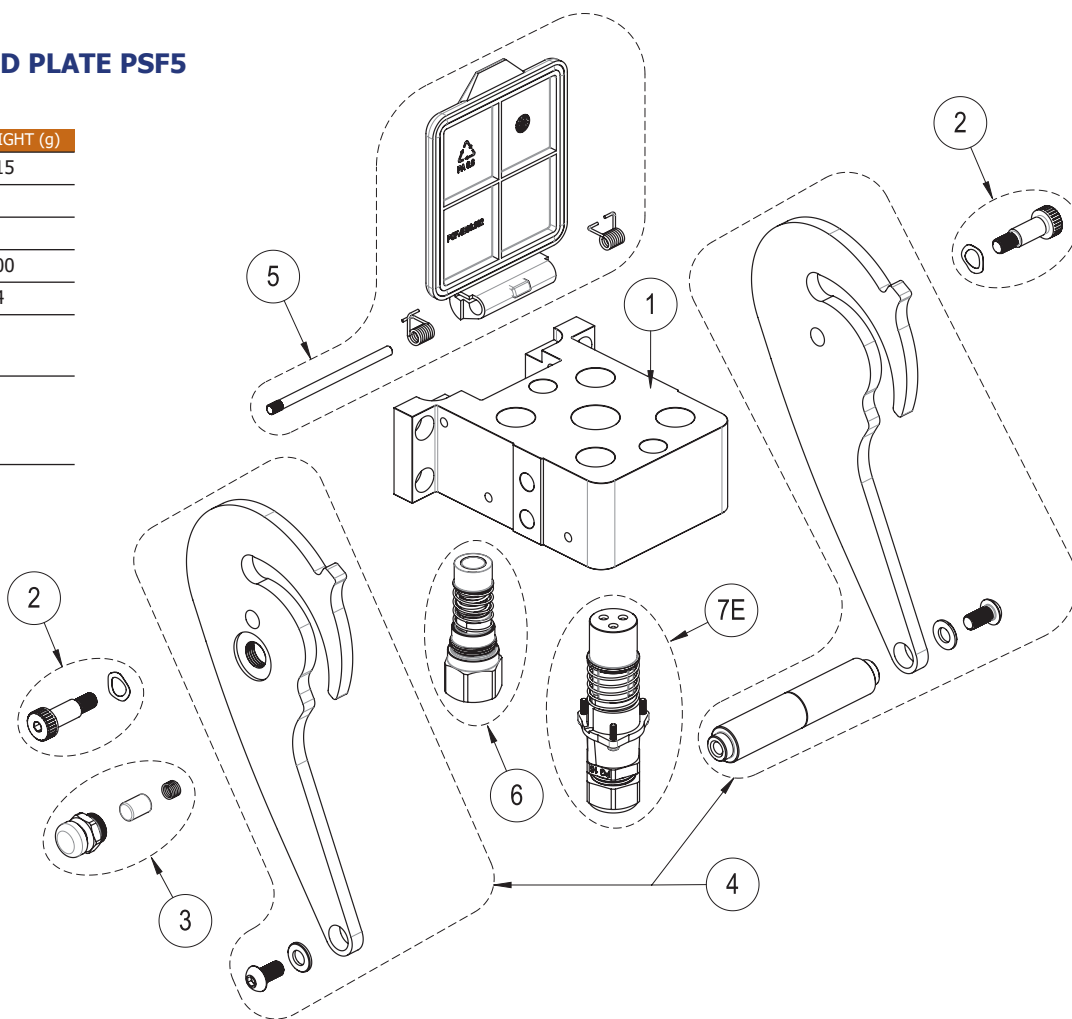
IG 1



AG 3

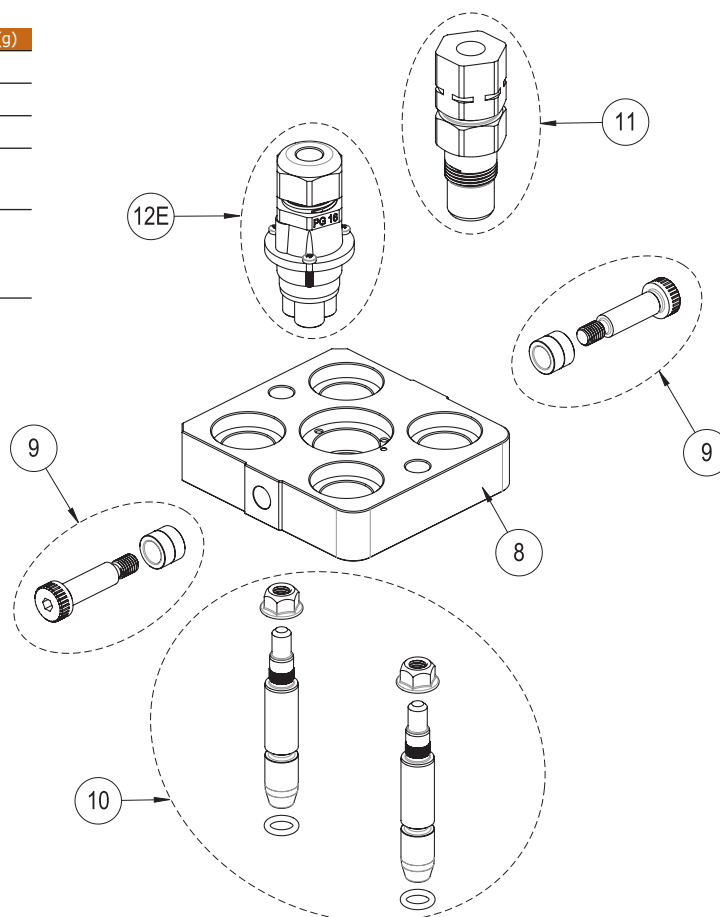
## SPARE PARTS FIXED PLATE PSF5

POS.	PART NUMBER	WEIGHT (g)
1	PSF.4B1G.102	1315
2	PSQ.KIT.011	51
3	PSF.KIT.050	33
4	PSF.KIT.242	1700
5	PSF.KIT.4902	114
6	SEE SPARE PARTS ISO 10	
7E	SEE SPARE PARTS ELECTRICAL CONNECTOR	

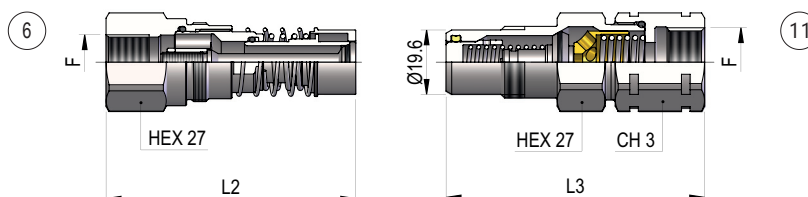


## SPARE PARTS MOBILE PLATE PSF5

POS.	PART NUMBER	WEIGHT (g)
8	PSF.4B1G.103	480
9	PSF.KIT.120	61
10	PSF.KIT.017	169
11	SEE SPARE PARTS ISO 10	
12E	SEE SPARE PARTS ELECTRICAL CONNECTOR	



## SPARE PARTS ISO 10 COUPLINGS



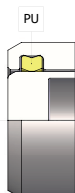
THREADS	DNP	BG	ISO	L2	CH3	L3	L4	ØT	F	STANDARD	SPARE PARTS			
											FEMALE - MUFFE		MALE - STECKER	
											COD. F	Weight (g)	COD. M	Weight (g)
<b>IG 1</b>	13	2	10	75.3	27	78			BSP 3/8"	DIN 3852-2	POF4.1310.112 R	150	POF4.1310.113	188
	13	2	10	75.3	27	78			BSP 1/2"	DIN 3852-2	POF4.1313.112 R	135	POF4.1313.113	179
	13	2	10	75.3	30	81			NPT 3/8"	ANSI B1.20.1	POF4.1310.012 R	160	POF4.1310.013	233
	13	2	10	79.3	30	81			NPT 1/2"	ANSI B1.20.1	POF4.1313.012 R	157	POF4.1313.013	217
<b>IG 2</b>	13	2	10	75.4	30	78			9/16"-18 UNF 2B	SAE J 1926-1	POF4.1315.032 R	162	POF4.1315.033	214
	13	2	10	75.3	30	78			3/4"-16 UNF 2B	SAE J 1926-1	POF4.1319.032 R	147	POF4.1319.033	206
<b>AG 3</b>	13	2	10	83.3	27	76	11	10L	M16x1.5	ISO 8434-1-L	POF4.1316.302 R	160	POF4.1316.303	163
	13	2	10	83.3	27	76	11	12L	M18x1.5	ISO 8434-1-L	POF4.1318.302 R	160	POF4.1318.303	164
	13	2	10	84.3	27	77	12	15L	M22x1.5	ISO 8434-1-L	POF4.1322.302 R	165	POF4.1322.303	169
	13	2	10	84.3	30	77	12	12S	M20x1.5	ISO 8434-1-S	POF4.1320.402 R	170	POF4.1320.403	184
<b>AG 4</b>	13	2	10	85.3	27	78	13		13/16"-16 UN	ISO 8434-3	POF4.1321.432 R	170	POF4.1321.433	178

## SPARE PARTS ELECTRICAL CONNECTOR



SPARE PARTS			
FEMALE - MUFFE (7E)		MALE - STECKER (12E)	
COD. F	Weight (g)	COD. M	Weight (g)
SEF.3P04.002	60	SEF.3P04.003	39

## SPARE PARTS SEALS



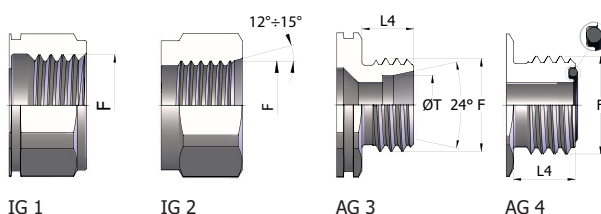
NOMINAL SIZE			MALE GASKET
DNP	BG	ISO	PU(POLYURETHANE)
13	2	10	PLK.013.210



NOMINAL SIZE			PART NUMBER	COLOR	MATERIAL
DNP	BG	ISO			
13	2	10	TPOF13	●	PVC

## PLUGS

### THREADS





## Technical data

E

- Interchange: exclusive Dnp profile
- Occlusion: flat face
- Locking: lever with safety device
- Material: steel and aluminum
- Finishing: Zn-Fe (Cr III), Anodizing
- Threads: BSP-NPT-SAE
- Standard seals: NBR and PU
- Working temperature: -25°C+100°C
- Optional seals: FKM, EPDM or more
- Working pressure: 350 bar
- Connection under residual pressure: allowed (male side only)

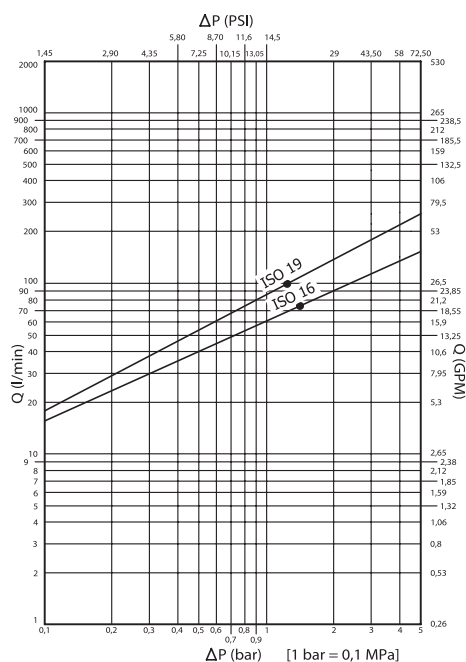
## Technische Merkmale

D

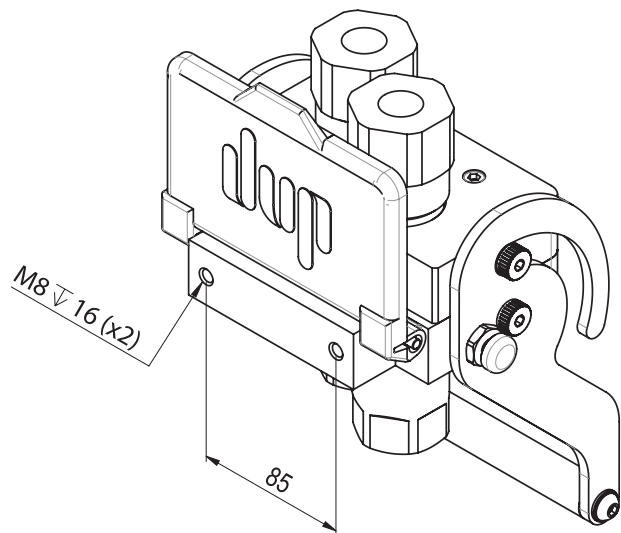
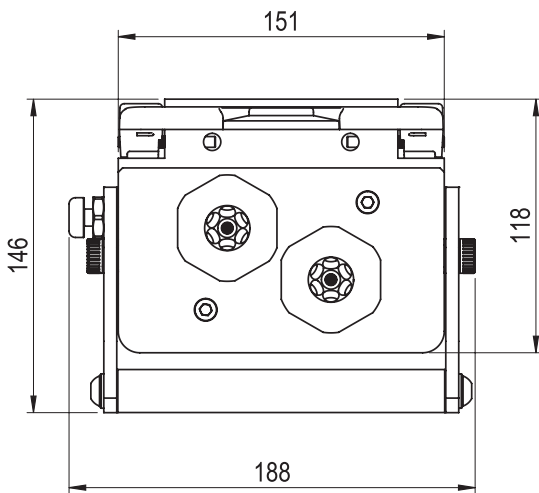
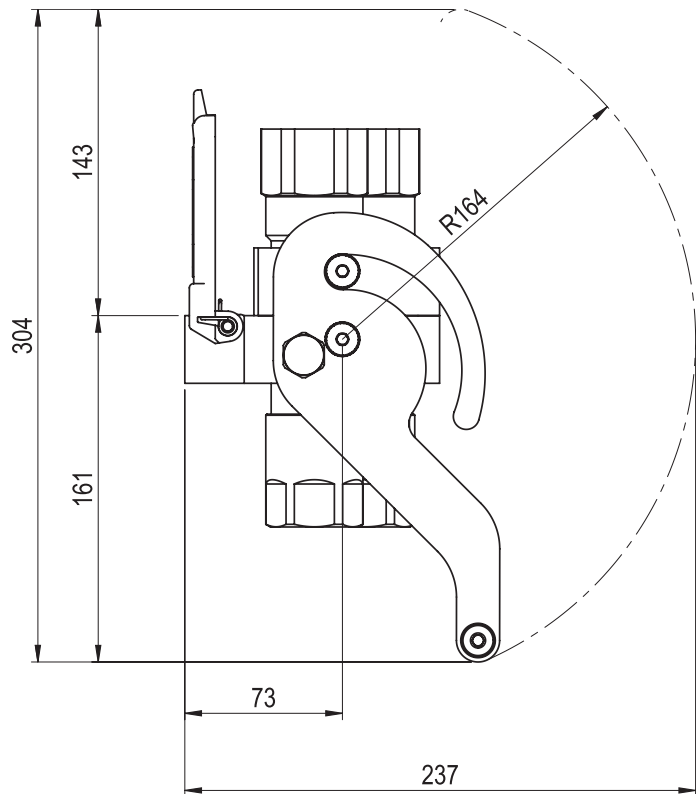
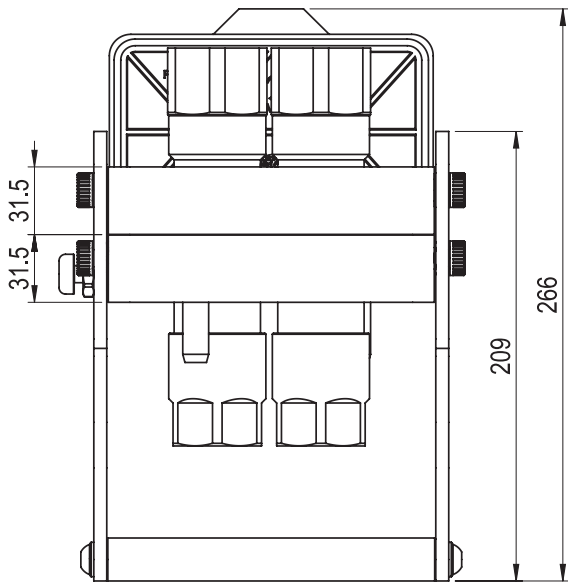
- Austauschbarkeit: laut exclusive Dnp Zeichnung
- Verschluss: flachdichtend
- Kupplung: Hebel mit doppelter Sicherung
- Werkstoff: Stahl und Aluminium
- Ausführung: Zn-Fe (Cr III), Eloxiert
- Gewinde: BSP-NPT-SAE
- Standard-Dichtungen: NBR und PU
- Betriebstemperatur: -25°C+100°C
- Dichtungen nach Wahl: FKM, EPDM, usw.
- Betriebsdruck: 350 bar
- Kuppeln unter Restdruck: erlaubt (nur Steckerseite)

Nominal size				Max working pressure	Rated flow	Max flow rate	Min burst pressure			Fluid spillage
DNP	BG	ISO	Ømm	MPa	l/min	l/min	Male	Female	Coupled	cc
22	4A	16	12.8	35	74	150	140	140	140	0.012
25	4	19	14.8	35	100	200	140	140	140	0.015

1 MPa = 145.04 psi • 1 l = 0.264 gal



## PSL2 DIMENSION



## PSL2 FIXED



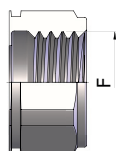
THREADS	DNP	BG	ISO	Housings	No. of Couplings	F	STANDARD	FIXED PART	
								CODE	Weight (g)
<b>IG 1</b>	22	4A	16	2	2	BSP 1/2"	DIN 3852-2	PSL2.2DCG.2	3565
	22	4A	16	2	2	NPT 1/2"	ANSI B1.20.1	PSL2.2DCN.2	3570
	22	4A	16	2	2	BSP 3/4"	DIN 3852-2	PSL2.2DDG.2	3505
	25	4	19	2	2	BSP 3/4"	DIN 3852-2	PSL2.2EDG.2	3760
	22	4A	16	2	2	NPT 3/4"	ANSI B1.20.1	PSL2.2DDN.2	3520
	25	4	19	2	2	NPT 3/4"	ANSI B1.20.1	PSL2.2EDN.2	3770
	25	4	19	2	2	BSP 1"	DIN 3852-2	PSL2.2EEG.2	3700
	25	4	19	2	2	NPT 1"	ANSI B1.20.1	PSL2.2EEN.2	3710
<b>IG 2</b>	22	4A	16	2	2	3/4"-16 UNF 2B	SAE J 1926-1	PSL2.2DCU.2	3520
	22	4A	16	2	2	7/8"-14 UNF 2B	SAE J 1926-1	PSL2.2DGU.2	3530
	25	4	19	2	2	1"-1/16-12 UN 2B	SAE J 1926-1	PSL2.2EDU.2	3770
	25	4	19	2	2	1"-5/16-12 UN 2B	SAE J 1926-1	PSL2.2EEU.2	3660

## PSL2 MOBILE

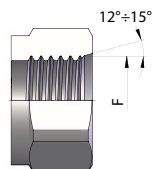


THREADS	DNP	BG	ISO	Housings	No. of Couplings	F	STANDARD	MOBILE PART	
								CODE	Weight (g)
<b>IG 1</b>	22	4A	16	2	2	BSP 1/2"	DIN 3852-2	PSL2.2DCG.3	2000
	22	4A	16	2	2	NPT 1/2"	ANSI B1.20.1	PSL2.2DCN.3	2000
	22	4A	16	2	2	BSP 3/4"	DIN 3852-2	PSL2.2DDG.3	1925
	25	4	19	2	2	BSP 3/4"	DIN 3852-2	PSL2.2EDG.3	2360
	22	4A	16	2	2	NPT 3/4"	ANSI B1.20.1	PSL2.2DDN.3	1940
	25	4	19	2	2	NPT 3/4"	ANSI B1.20.1	PSL2.2EDN.3	2380
	25	4	19	2	2	BSP 1"	DIN 3852-2	PSL2.2EEG.3	2300
	25	4	19	2	2	NPT 1"	ANSI B1.20.1	PSL2.2EEN.3	2320
	<b>IG 2</b>	22	4A	16	2	2	3/4"-16 UNF 2B	SAE J 1926-1	PSL2.2DCU.3
22		4A	16	2	2	7/8"-14 UNF 2B	SAE J 1926-1	PSL2.2DGU.3	1970
25		4	19	2	2	1"-1/16-12 UN 2B	SAE J 1926-1	PSL2.2EDU.3	2370
25		4	19	2	2	1"-5/16-12 UN 2B	SAE J 1926-1	PSL2.2EEU.3	2250

THREADS



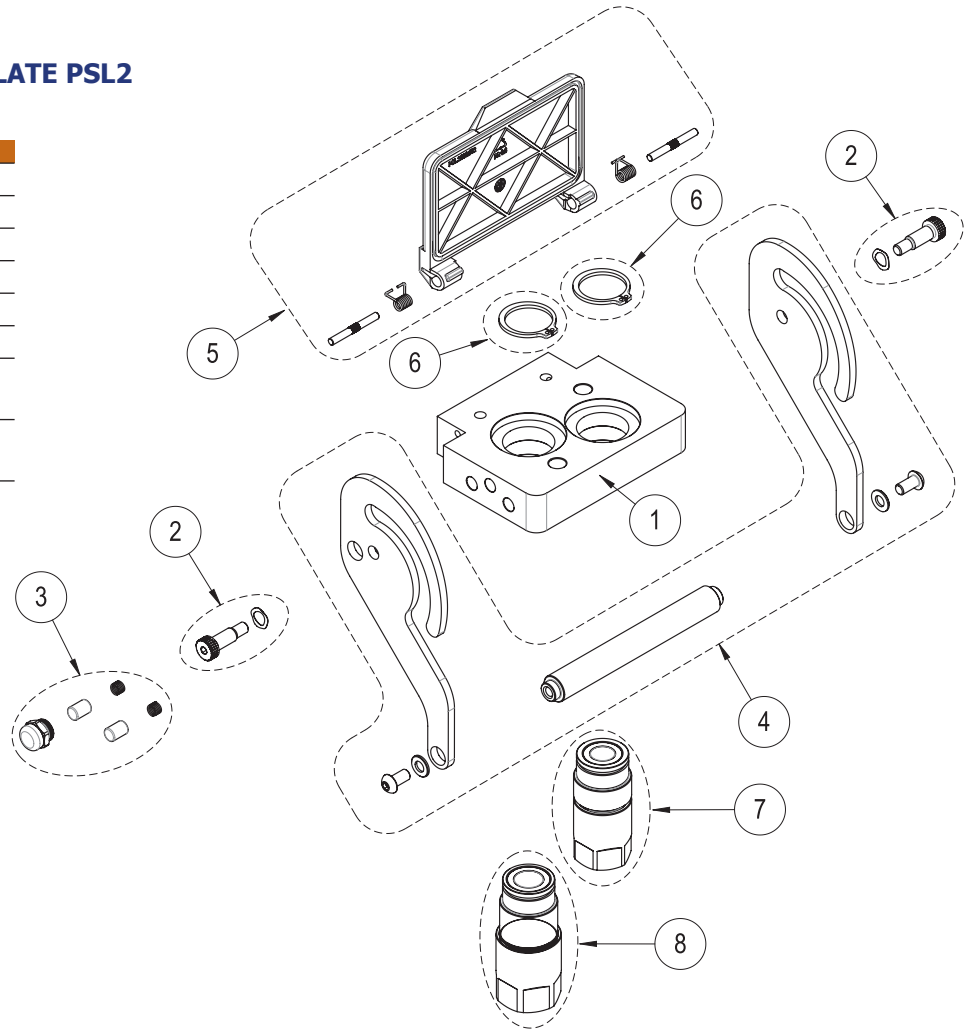
IG 1



IG 2

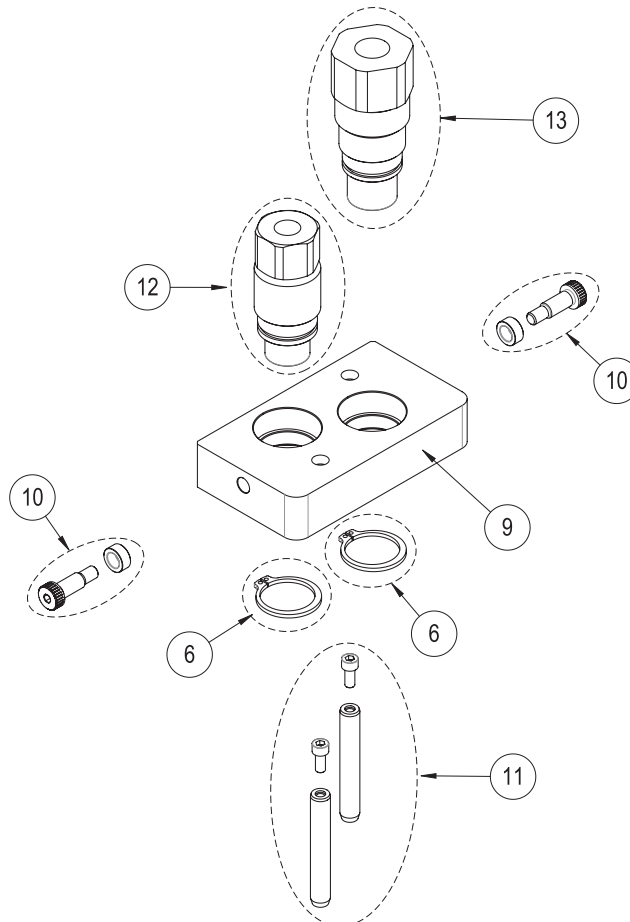
## SPARE PARTS FIXED PLATE PSL2

POS.	PART NUMBER	WEIGHT (g)
1	PSL.2C00.002	1030
2	PSQ.KIT.011	51
3	PSQ.KIT.050	43
4	PSL.KIT.043	840
5	PSL.KIT.2902	110
6	PSL.002.016	5
7	SEE SPARE PARTS ISO 16	
8	SEE SPARE PARTS ISO 19	

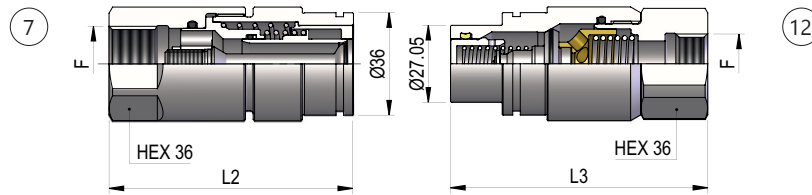


## SPARE PARTS MOBILE PLATE PSL2

POS.	PART NUMBER	WEIGHT (g)
9	PSL.2C00.003	838
10	PSQ.KIT.020	64
11	PSL.KIT.017	143
12	SEE SPARE PARTS ISO 16	
13	SEE SPARE PARTS ISO 19	

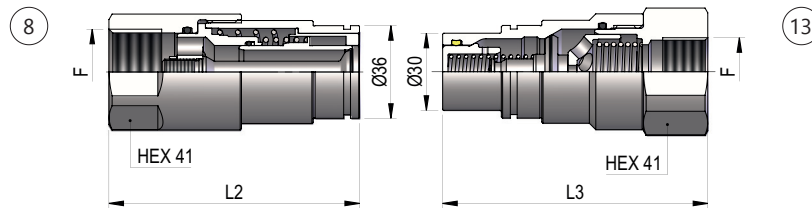


## SPARE PARTS ISO 16 COUPLINGS



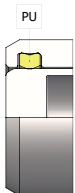
THREADS	DNP	BG	ISO	L2	L3	F	STANDARD	SPARE PARTS			
								FEMALE - MUFFE		MALE - STECKER	
								COD. F	Weight (g)	COD. M	Weight (g)
<b>IG 1</b>	22	4A	16	86	90.5	BSP 1/2"	DIN 3852-2	POT4.2213.112	549	POT4.2213.113	516
	22	4A	16	86	90.5	NPT 1/2"	ANSI B1.20.1	POT4.2213.012	552	POT4.2213.013	517
	22	4A	16	86	90.5	BSP 3/4"	DIN 3852-2	POT4.2219.112	518	POT4.2219.113	478
	22	4A	16	86	90.5	NPT 3/4"	ANSI B1.20.1	POT4.2219.012	526	POT4.2219.013	484
<b>IG 2</b>	22	4A	16	82	90.5	3/4"-16 UNF 2B	SAE J 1926-1	POT4.2219.032	526	POT4.2219.033	519
	22	4A	16	84	90.5	7/8"-14 UNF 2B	SAE J 1926-1	POT4.2223.032	531	POT4.2223.033	503

## SPARE PARTS ISO 19 COUPLINGS

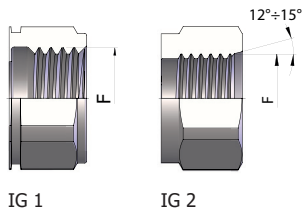


THREADS	DNP	BG	ISO	L2	L3	F	STANDARD	SPARE PARTS			
								FEMALE - MUFFE		MALE - STECKER	
								COD. F	Weight (g)	COD. M	Weight (g)
<b>IG 1</b>	25	4	19	94.5	103	BSP 3/4"	DIN 3852-2	POT4.2519.112	645	POT4.2519.113	695
	25	4	19	94.5	104	NPT 3/4"	ANSI B1.20.1	POT4.2519.012	651	POT4.2519.013	709
	25	4	19	97.5	107	BSP 1"	DIN 3852-2	POT4.2525.112	616	POT4.2525.113	666
	25	4	19	97.5	107	NPT 1"	ANSI B1.20.1	POT4.2525.012	623	POT4.2525.013	677
<b>IG 2</b>	25	4	19	95	104	1"1/16-12 UN 2B	SAE J 1926-1	POT4.2527.032	633	POT4.2527.033	700
	25	4	19	95	105	1"5/16-12 UN 2B	SAE J 1926-1	POT4.2533.032	595	POT4.2533.033	642

## SPARE PARTS SEALS



NOMINAL SIZE			MALE GASKET
DNP	BG	ISO	PU(POLYURETHANE)
22	4A	16	PVT.022.210
25	4	19	PVT.025.210





## Technical data

E

- Interchange: exclusive Dnp profile
- Occlusion: flat face
- Locking: lever with safety device
- Material: steel and aluminum
- Finishing: Zn-Fe (Cr III), Anodizing
- Threads: BSP-NPT-SAE
- Standard seals: NBR and PU
- Working temperature: -25°C+100°C
- Optional seals: FKM, EPDM or more
- Working pressure: 350 bar
- Connection under residual pressure: allowed (male side only)

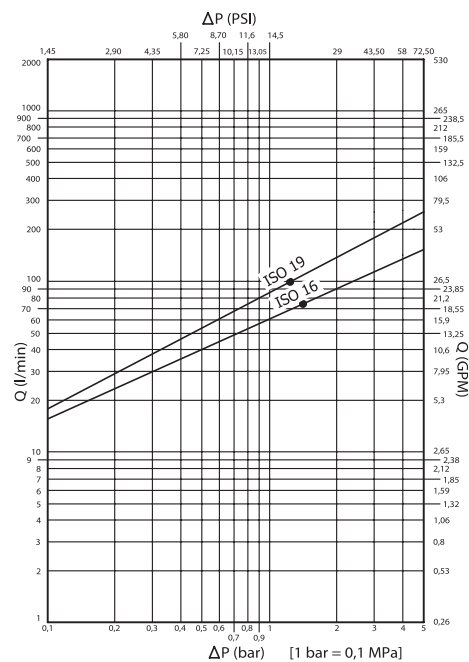
## Technische Merkmale

D

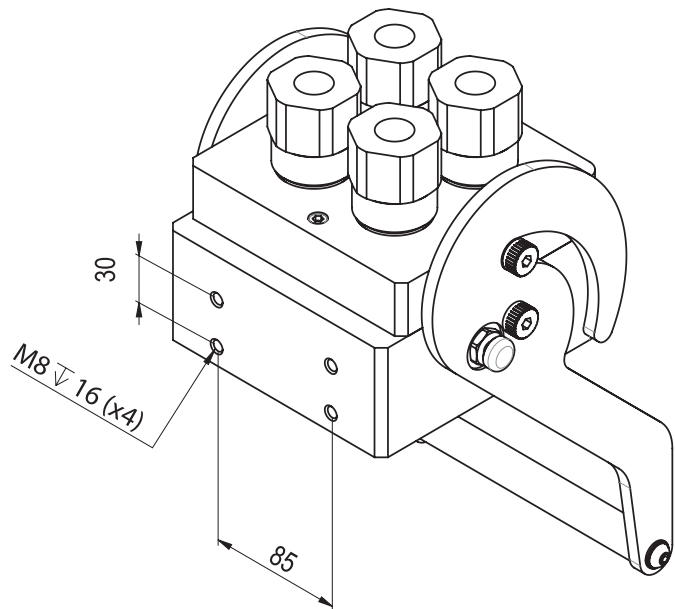
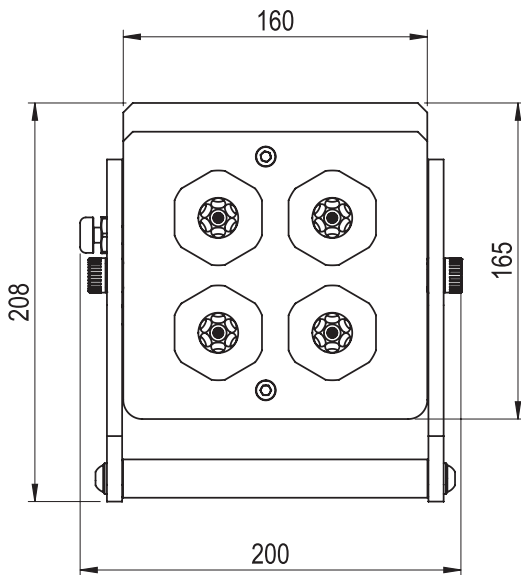
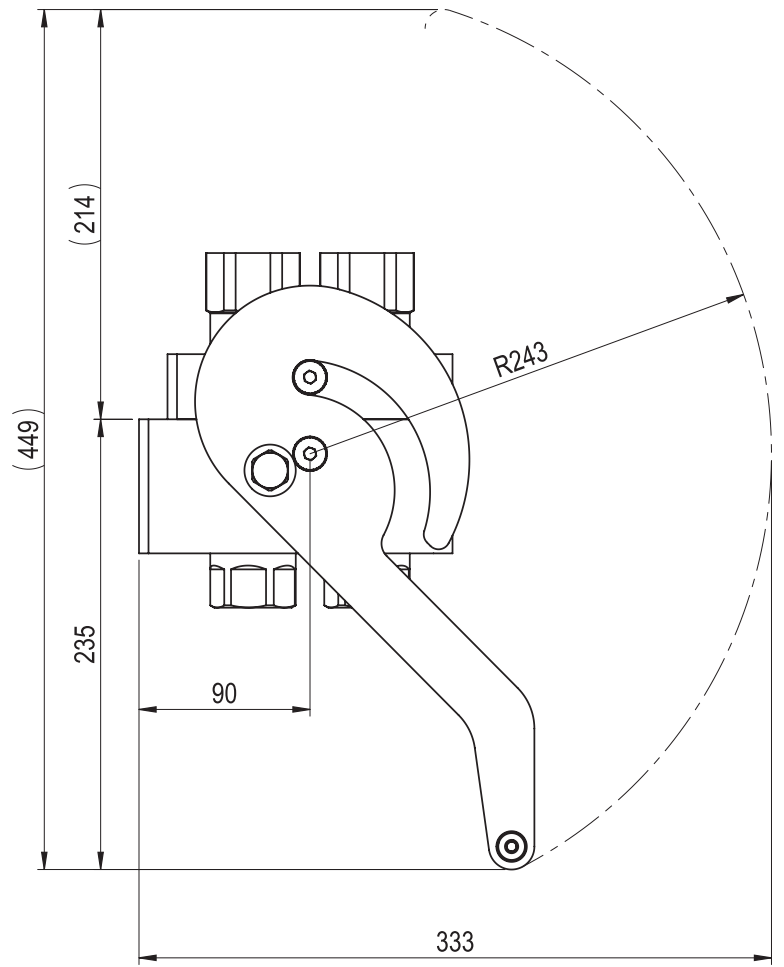
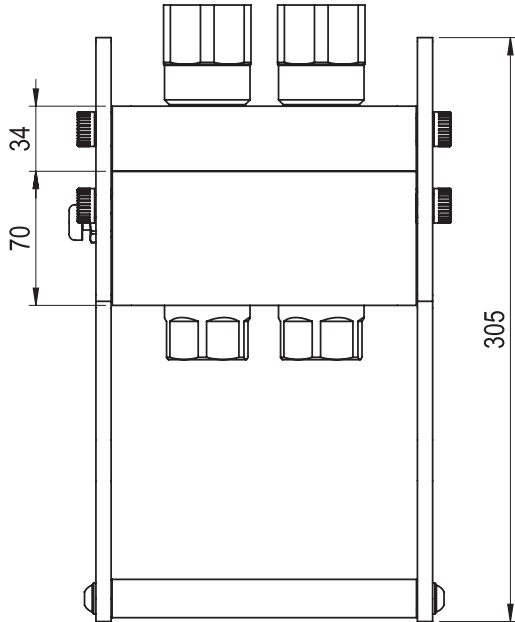
- Austauschbarkeit: laut exclusive Dnp Zeichnung
- Verschluss: flachdichtend
- Kupplung: Hebel mit doppelter Sicherung
- Werkstoff: Stahl und Aluminium
- Ausführung: Zn-Fe (Cr III), Eloxiert
- Gewinde: BSP-NPT-SAE
- Standard-Dichtungen: NBR und PU
- Betriebstemperatur: -25°C+100°C
- Dichtungen nach Wahl: FKM, EPDM, usw.
- Betriebsdruck: 350 bar
- Kuppeln unter Restdruck: erlaubt (nur Steckerseite)

Nominal size				Max working pressure MPa	Rated flow l/min	Max flow rate l/min	Min burst pressure			Fluid spillage cc
DNP	BG	ISO	Ømm				Male MPa	Female MPa	Coupled MPa	
22	4A	16	12.8	35	74	150	140	140	140	0.012
25	4	19	14.8	35	100	200	140	140	140	0.015

1 MPa = 145.04 psi • 1 l = 0.264 gal



## PSL4 DIMENSION



## PSL4 FIXED



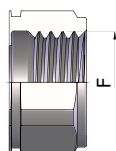
THREADS	DNP	BG	ISO	Housings	No. of Couplings	F	STANDARD	FIXED PART	
								CODE	Weight (g)
<b>IG 1</b>	22	4A	16	4	4	BSP 1/2"	DIN 3852-2	PSL4.4DCG.2	8930
	22	4A	16	4	4	NPT 1/2"	ANSI B1.20.1	PSL4.4DCN.2	8940
	22	4A	16	4	4	BSP 3/4"	DIN 3852-2	PSL4.4DDG.2	8805
	25	4	19	4	4	BSP 3/4"	DIN 3852-2	PSL4.4EDG.2	9315
	22	4A	16	4	4	NPT 3/4"	ANSI B1.20.1	PSL4.4DDN.2	8840
	25	4	19	4	4	NPT 3/4"	ANSI B1.20.1	PSL4.4EDN.2	9340
	25	4	19	4	4	BSP 1"	DIN 3852-2	PSL4.4EEG.2	9200
	25	4	19	4	4	NPT 1"	ANSI B1.20.1	PSL4.4EEN.2	9225
<b>IG 2</b>	22	4A	16	4	4	3/4"-16 UNF 2B	SAE J 1926-1	PSL4.4DCU.2	8840
	22	4A	16	4	4	7/8"-14 UNF 2B	SAE J 1926-1	PSL4.4DGU.2	8860
	25	4	19	4	4	1"-1/16-12 UN 2B	SAE J 1926-1	PSL4.4EDU.2	9350
	25	4	19	4	4	1"-5/16-12 UN 2B	SAE J 1926-1	PSL4.4EEU.2	9115

## PSL4 MOBILE

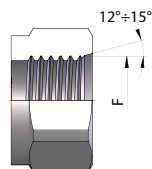


THREADS	DNP	BG	ISO	Housings	No. of Couplings	F	STANDARD	MOBILE PART	
								CODE	Weight (g)
<b>IG 1</b>	22	4A	16	4	4	BSP 1/2"	DIN 3852-2	PSL4.4DCG.3	3900
	22	4A	16	4	4	NPT 1/2"	ANSI B1.20.1	PSL4.4DCN.3	3900
	22	4A	16	4	4	BSP 3/4"	DIN 3852-2	PSL4.4DDG.3	3750
	25	4	19	4	4	BSP 3/4"	DIN 3852-2	PSL4.4EDG.3	4615
	22	4A	16	4	4	NPT 3/4"	ANSI B1.20.1	PSL4.4DDN.3	3770
	25	4	19	4	4	NPT 3/4"	ANSI B1.20.1	PSL4.4EDN.3	4670
	25	4	19	4	4	BSP 1"	DIN 3852-2	PSL4.4EEG.3	4500
	25	4	19	4	4	NPT 1"	ANSI B1.20.1	PSL4.4EEN.3	4540
<b>IG 2</b>	22	4A	16	4	4	3/4"-16 UNF 2B	SAE J 1926-1	PSL4.4DCU.3	3910
	22	4A	16	4	4	7/8"-14 UNF 2B	SAE J 1926-1	PSL4.4DGU.3	3850
	25	4	19	4	4	1"-1/16-12 UN 2B	SAE J 1926-1	PSL4.4EDU.3	4635
	25	4	19	4	4	1"-5/16-12 UN 2B	SAE J 1926-1	PSL4.4EEU.3	4400

THREADS



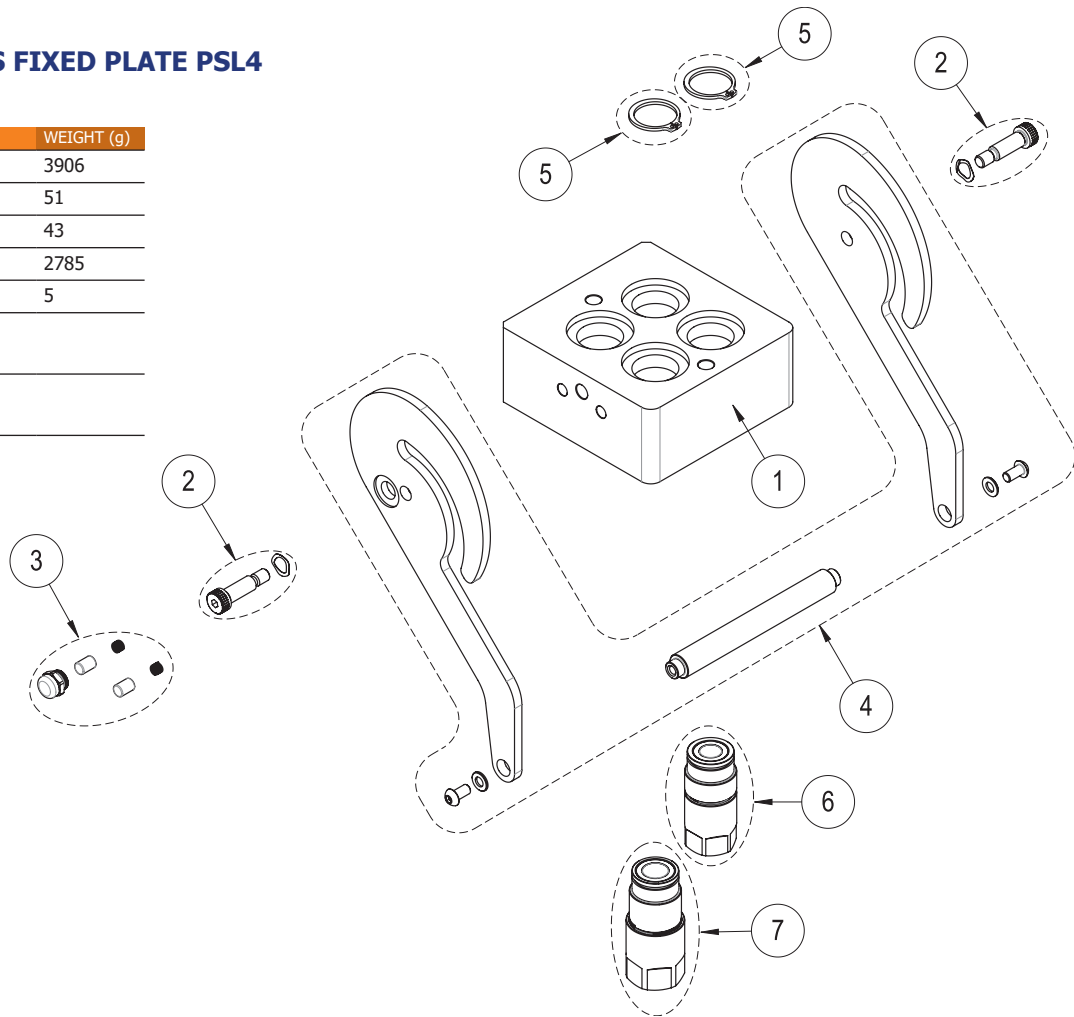
IG 1



IG 2

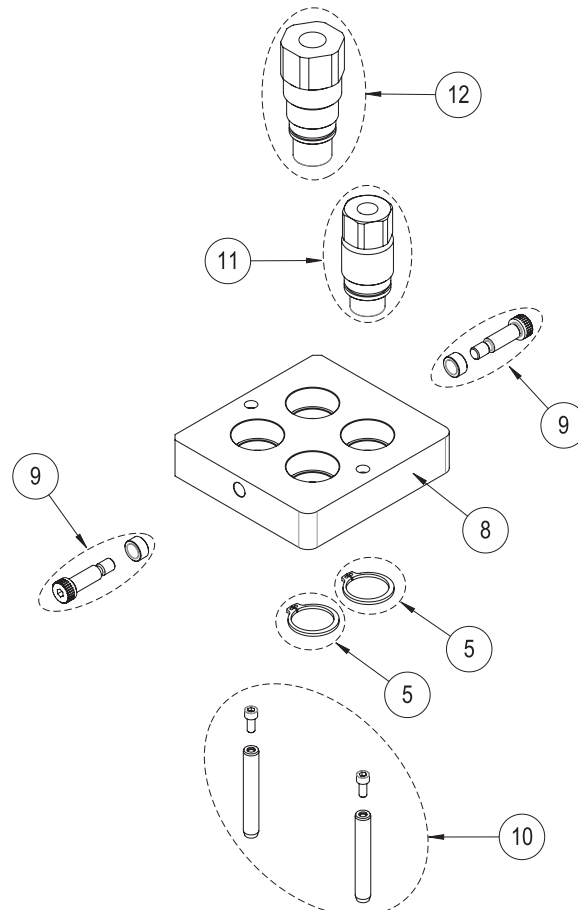
## SPARE PARTS FIXED PLATE PSL4

POS.	PART NUMBER	WEIGHT (g)
1	PSL.4C00.102	3906
2	PSL.KIT.011	51
3	PSQ.KIT.050	43
4	PSL.KIT.041	2785
5	PSL.002.016	5
6	SEE SPARE PARTS ISO 16	
7	SEE SPARE PARTS ISO 19	

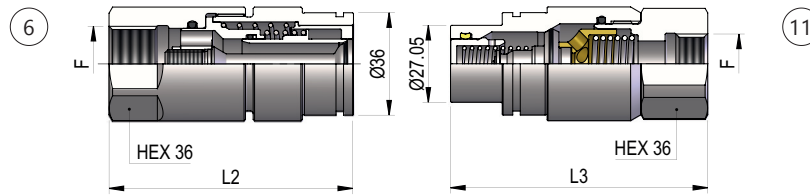


## SPARE PARTS MOBILE PLATE PSL4

POS.	PART NUMBER	WEIGHT (g)
8	PSL.4C00.103	1717
9	PSL.KIT.020	117
10	PSL.KIT.017	143
11	SEE SPARE PARTS ISO 16	
12	SEE SPARE PARTS ISO 19	

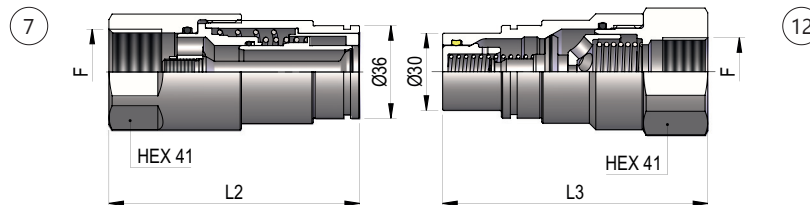


## SPARE PARTS ISO 16 COUPLINGS



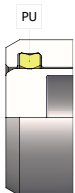
THREADS	DNP	BG	ISO	L2	L3	F	STANDARD	SPARE PARTS			
								FEMALE - MUFFE		MALE - STECKER	
								COD. F	Weight (g)	COD. M	Weight (g)
<b>IG 1</b>	22	4A	16	86	90.5	BSP 1/2"	DIN 3852-2	POT4.2213.112	549	POT4.2213.113	516
	22	4A	16	86	90.5	NPT 1/2"	ANSI B1.20.1	POT4.2213.012	552	POT4.2213.013	517
	22	4A	16	86	90.5	BSP 3/4"	DIN 3852-2	POT4.2219.112	518	POT4.2219.113	478
	22	4A	16	86	90.5	NPT 3/4"	ANSI B1.20.1	POT4.2219.012	526	POT4.2219.013	484
<b>IG 2</b>	22	4A	16	82	90.5	3/4" - 16 UNF 2B	SAE J 1926-1	POT4.2219.032	526	POT4.2219.033	519
	22	4A	16	84	90.5	7/8" - 14 UNF 2B	SAE J 1926-1	POT4.2223.032	531	POT4.2223.033	503

## SPARE PARTS ISO 19 COUPLINGS



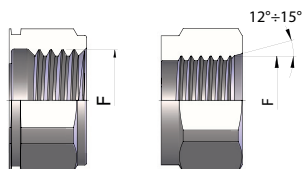
THREADS	DNP	BG	ISO	L2	L3	F	STANDARD	SPARE PARTS			
								FEMALE - MUFFE		MALE - STECKER	
								COD. F	Weight (g)	COD. M	Weight (g)
<b>IG 1</b>	25	4	19	94.5	103	BSP 3/4"	DIN 3852-2	POT4.2519.112	645	POT4.2519.113	695
	25	4	19	94.5	104	NPT 3/4"	ANSI B1.20.1	POT4.2519.012	651	POT4.2519.013	709
	25	4	19	97.5	107	BSP 1"	DIN 3852-2	POT4.2525.112	616	POT4.2525.113	666
	25	4	19	97.5	107	NPT 1"	ANSI B1.20.1	POT4.2525.012	623	POT4.2525.013	677
<b>IG 2</b>	25	4	19	95	104	1"1/16-12 UN 2B	SAE J 1926-1	POT4.2527.032	633	POT4.2527.033	700
	25	4	19	95	105	1"5/16-12 UN 2B	SAE J 1926-1	POT4.2533.032	595	POT4.2533.033	642

## SPARE PARTS SEALS



NOMINAL SIZE			MALE GASKET	
DNP	BG	ISO	PU(POLYURETHANE)	
22	4A	16	PVT.022.210	
25	4	19	PVT.025.210	

THREADS



IG 1

IG 2



## Technical data

E

- Interchange: exclusive Dnp profile
- Occlusion: flat face
- Locking: lever with safety device
- Material: steel and aluminum
- Finishing: Zn-Fe (Cr III), Anodizing
- Threads: BSP-NPT-SAE
- Standard seals: NBR and PU
- Working temperature: -25°C+100°C
- Optional seals: FKM, EPDM or more
- Working pressure: 350 bar
- Connection under residual pressure: allowed (male side only)

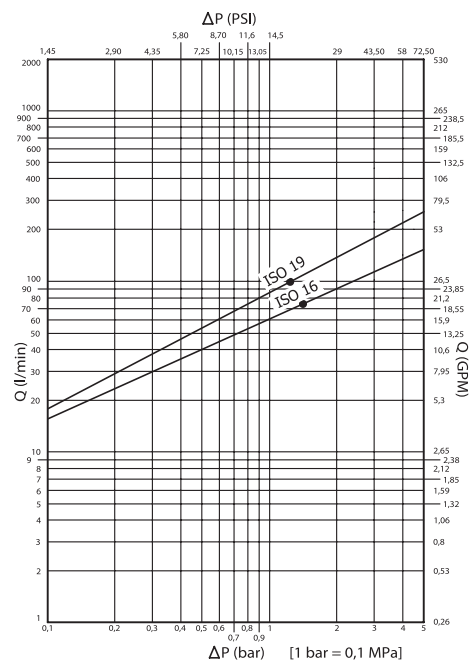
## Technische Merkmale

D

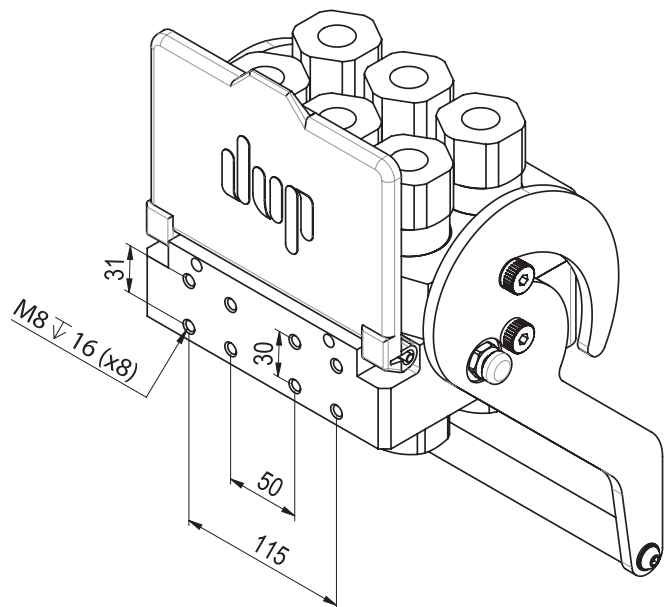
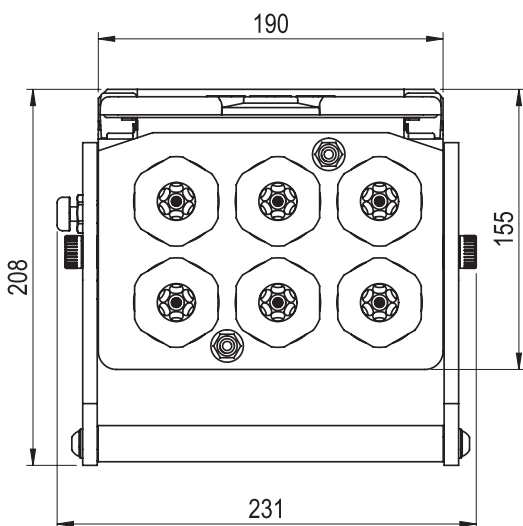
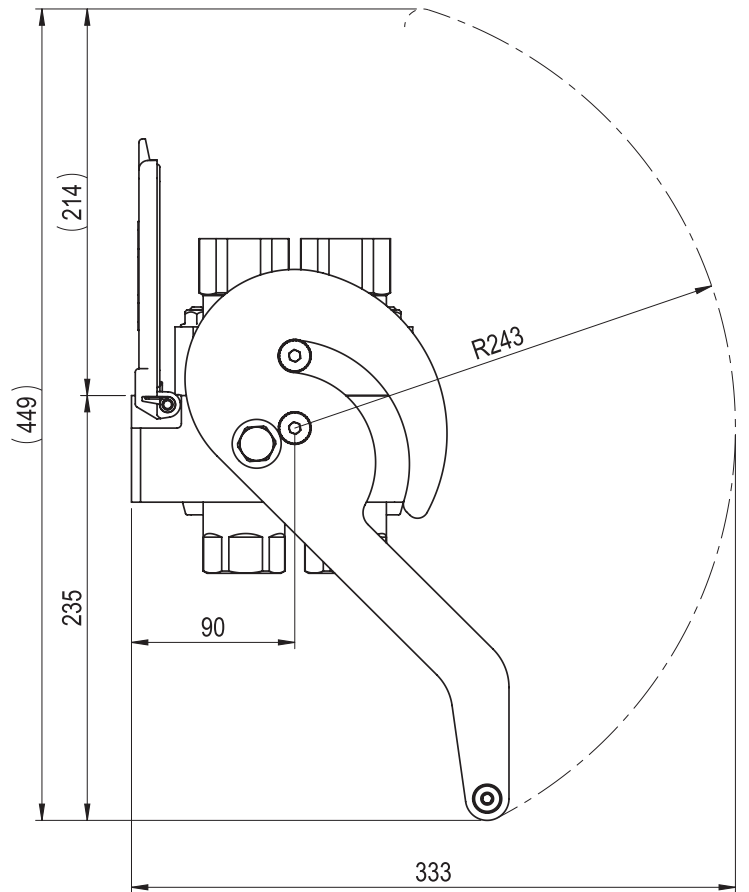
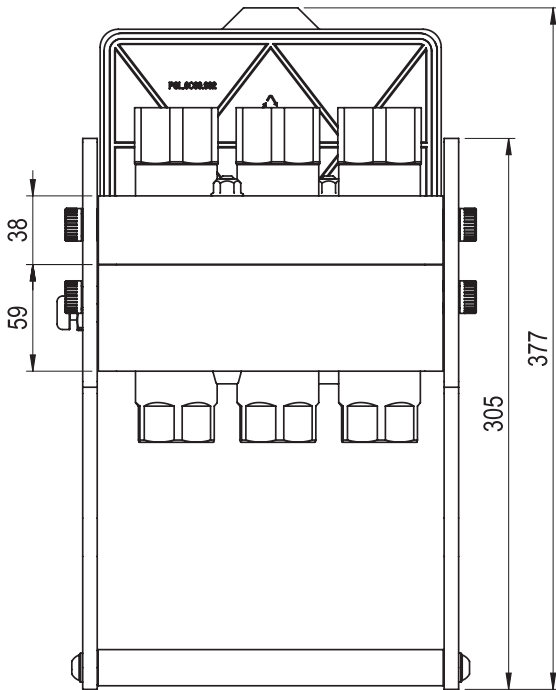
- Austauschbarkeit: laut exclusive Dnp Zeichnung
- Verschluss: flachdichtend
- Kupplung: Hebel mit doppelter Sicherung
- Werkstoff: Stahl und Aluminium
- Ausführung: Zn-Fe (Cr III), Eloxiert
- Gewinde: BSP-NPT-SAE
- Standard-Dichtungen: NBR und PU
- Betriebstemperatur: -25°C+100°C
- Dichtungen nach Wahl: FKM, EPDM, usw.
- Betriebsdruck: 350 bar
- Kuppeln unter Restdruck: erlaubt (nur Steckerseite)

Nominal size				Max working pressure MPa	Rated flow l/min	Max flow rate l/min	Min burst pressure			Fluid spillage cc
DNP	BG	ISO	Ømm				Male MPa	Female MPa	Coupled MPa	
22	4A	16	12.8	35	74	150	140	140	140	0.012
25	4	19	14.8	35	100	200	140	140	140	0.015

1 MPa = 145.04 psi • 1 l = 0.264 gal



## PSL6 DIMENSION



## PSL6 FIXED



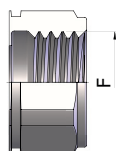
THREADS	DNP	BG	ISO	Housings	No. of Couplings	F	STANDARD	FIXED PART	
								CODE	Weight (g)
<b>IG 1</b>	22	4A	16	6	6	BSP 1/2"	DIN 3852-2	PSL6.6DCG.2	9410
	22	4A	16	6	6	NPT 1/2"	ANSI B1.20.1	PSL6.6DCN.2	9425
	22	4A	16	6	6	BSP 3/4"	DIN 3852-2	PSL6.6DDG.2	9220
	25	4	19	6	6	BSP 3/4"	DIN 3852-2	PSL6.6EDG.2	9985
	22	4A	16	6	6	NPT 3/4"	ANSI B1.20.1	PSL6.6DDN.2	9270
	25	4	19	6	6	NPT 3/4"	ANSI B1.20.1	PSL6.6EDN.2	10020
	25	4	19	6	6	BSP 1"	DIN 3852-2	PSL6.6EEG.2	9810
	25	4	19	6	6	NPT 1"	ANSI B1.20.1	PSL6.6EEN.2	9850
<b>IG 2</b>	22	4A	16	6	6	3/4"-16 UNF 2B	SAE J 1926-1	PSL6.6DCU.2	9270
	22	4A	16	6	6	7/8"-14 UNF 2B	SAE J 1926-1	PSL6.6DGU.2	9300
	25	4	19	6	6	1"-1/16-12 UN 2B	SAE J 1926-1	PSL6.6EDU.2	10030
	25	4	19	6	6	1"-5/16-12 UN 2B	SAE J 1926-1	PSL6.6EEU.2	9680

## PSL6 MOBILE

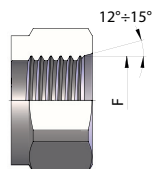


THREADS	DNP	BG	ISO	Housings	No. of Couplings	F	STANDARD	MOBILE PART	
								CODE	Weight (g)
<b>IG 1</b>	22	4A	16	6	6	BSP 1/2"	DIN 3852-2	PSL6.6DCG.3	5125
	22	4A	16	6	6	NPT 1/2"	ANSI B1.20.1	PSL6.6DCN.3	5130
	22	4A	16	6	6	BSP 3/4"	DIN 3852-2	PSL6.6DDG.3	4900
	25	4	19	6	6	BSP 3/4"	DIN 3852-2	PSL6.6EDG.3	6200
	22	4A	16	6	6	NPT 3/4"	ANSI B1.20.1	PSL6.6DDN.3	4940
	25	4	19	6	6	NPT 3/4"	ANSI B1.20.1	PSL6.6EDN.3	6280
	25	4	19	6	6	BSP 1"	DIN 3852-2	PSL6.6EEG.3	6030
	25	4	19	6	6	NPT 1"	ANSI B1.20.1	PSL6.6EEN.3	6090
<b>IG 2</b>	22	4A	16	6	6	3/4"-16 UNF 2B	SAE J 1926-1	PSL6.6DCU.3	5140
	22	4A	16	6	6	7/8"-14 UNF 2B	SAE J 1926-1	PSL6.6DGU.3	5050
	25	4	19	6	6	1"-1/16-12 UN 2B	SAE J 1926-1	PSL6.6EDU.3	6230
	25	4	19	6	6	1"-5/16-12 UN 2B	SAE J 1926-1	PSL6.6EEU.3	5880

THREADS



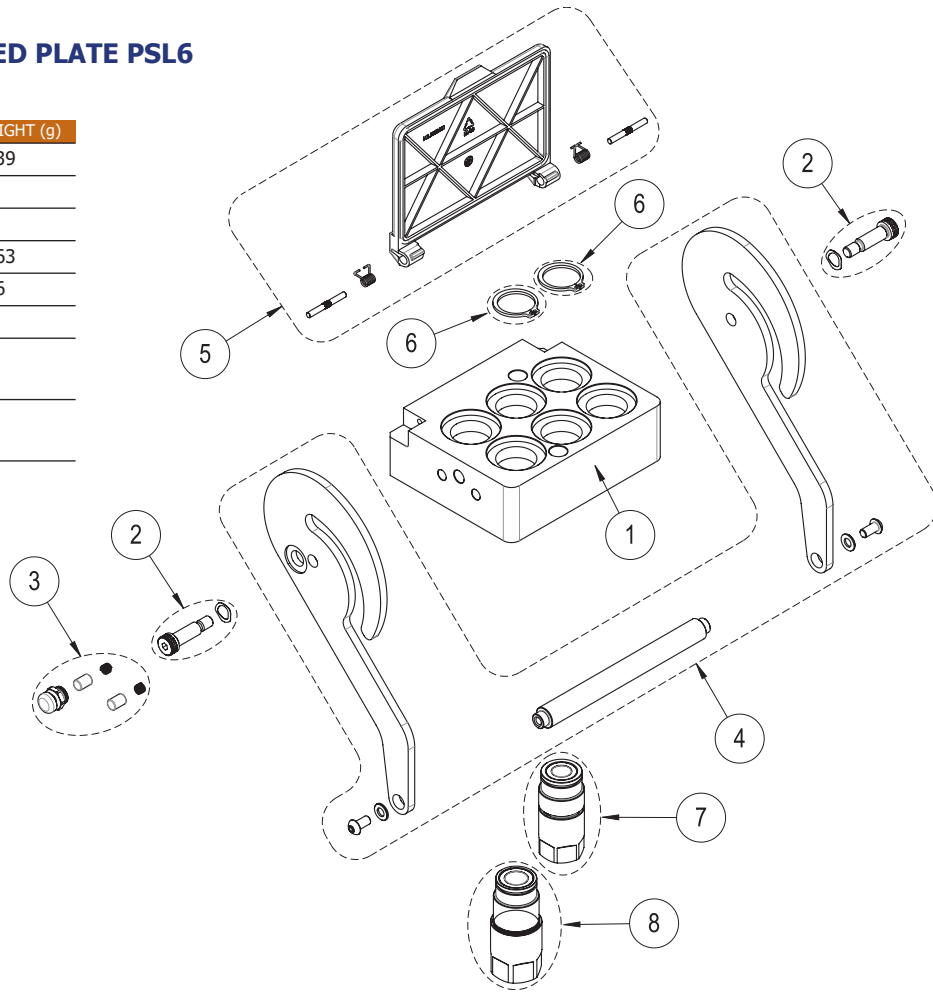
IG 1



IG 2

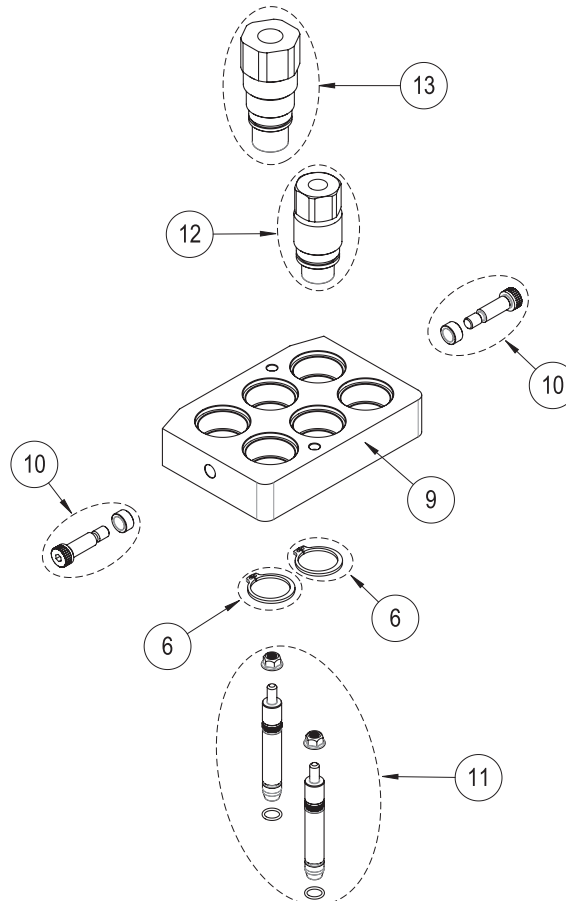
## SPARE PARTS FIXED PLATE PSL6

POS.	PART NUMBER	WEIGHT (g)
1	PSL.6C00.002	3139
2	PSL.KIT.011	51
3	PSQ.KIT.050	43
4	PSL.KIT.042	2863
5	PSL.KIT.6902	146
6	PSL.002.016	5
7	SEE SPARE PARTS ISO 16	
8	SEE SPARE PARTS ISO 19	

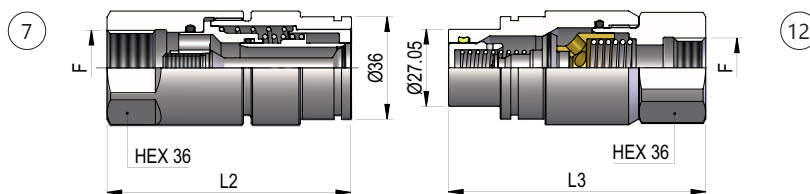


## SPARE PARTS MOBILE PLATE PSL6

POS.	PART NUMBER	WEIGHT (g)
9	PSL.6C00.003	1586
10	PSL.KIT.020	117
11	PSL.KIT.017	326
12	SEE SPARE PARTS ISO 16	
13	SEE SPARE PARTS ISO 19	

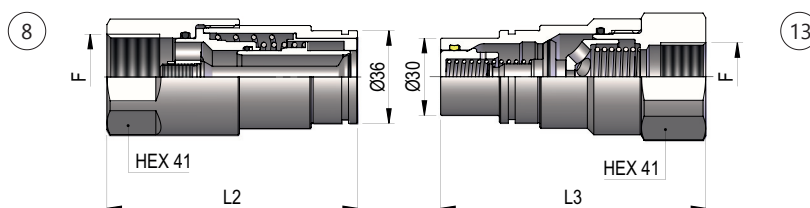


## SPARE PARTS ISO 16 COUPLINGS



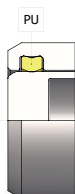
THREADS	DNP	BG	ISO	L2	L3	F	STANDARD	SPARE PARTS			
								FEMALE - MUFFE		MALE - STECKER	
								COD. F	Weight (g)	COD. M	Weight (g)
<b>IG 1</b>	22	4A	16	86	90.5	BSP 1/2"	DIN 3852-2	POT4.2213.112	549	POT4.2213.113	516
	22	4A	16	86	90.5	NPT 1/2"	ANSI B1.20.1	POT4.2213.012	552	POT4.2213.013	517
	22	4A	16	86	90.5	BSP 3/4"	DIN 3852-2	POT4.2219.112	518	POT4.2219.113	478
	22	4A	16	86	90.5	NPT 3/4"	ANSI B1.20.1	POT4.2219.012	526	POT4.2219.013	484
<b>IG 2</b>	22	4A	16	82	90.5	3/4"-16 UNF 2B	SAE J 1926-1	POT4.2219.032	526	POT4.2219.033	519
	22	4A	16	84	90.5	7/8"-14 UNF 2B	SAE J 1926-1	POT4.2223.032	531	POT4.2223.033	503

## SPARE PARTS ISO 19 COUPLINGS

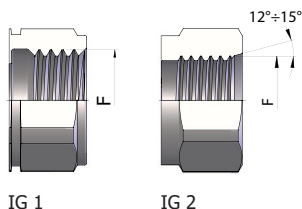


THREADS	DNP	BG	ISO	L2	L3	F	STANDARD	SPARE PARTS			
								FEMALE - MUFFE		MALE - STECKER	
								COD. F	Weight (g)	COD. M	Weight (g)
<b>IG 1</b>	25	4	19	94.5	103	BSP 3/4"	DIN 3852-2	POT4.2519.112	645	POT4.2519.113	695
	25	4	19	94.5	104	NPT 3/4"	ANSI B1.20.1	POT4.2519.012	651	POT4.2519.013	709
	25	4	19	97.5	107	BSP 1"	DIN 3852-2	POT4.2525.112	616	POT4.2525.113	666
	25	4	19	97.5	107	NPT 1"	ANSI B1.20.1	POT4.2525.012	623	POT4.2525.013	677
<b>IG 2</b>	25	4	19	95	104	1"1/16-12 UN 2B	SAE J 1926-1	POT4.2527.032	633	POT4.2527.033	700
	25	4	19	95	105	1"5/16-12 UN 2B	SAE J 1926-1	POT4.2533.032	595	POT4.2533.033	642

## SPARE PARTS SEALS



NOMINAL SIZE			MALE GASKET	
DNP	BG	ISO	PU(POLYURETHANE)	
22	4A	16	PVT.022.210	
25	4	19	PVT.025.210	





## Technical data

E

- Interchange: exclusive Dnp profile
- Occlusion: flat face
- Locking: lever with safety device
- Material: steel and aluminum
- Finishing: Zn-Fe (Cr III), Anodizing
- Threads: BSP-NPT-SAE-METRICS-Rc
- Standard seals: NBR and PU
- Working temperature: -25°C+100°C
- Optional seals: FKM, EPDM or more
- Working pressure: 350 bar
- Connection under residual pressure: allowed (male side only)

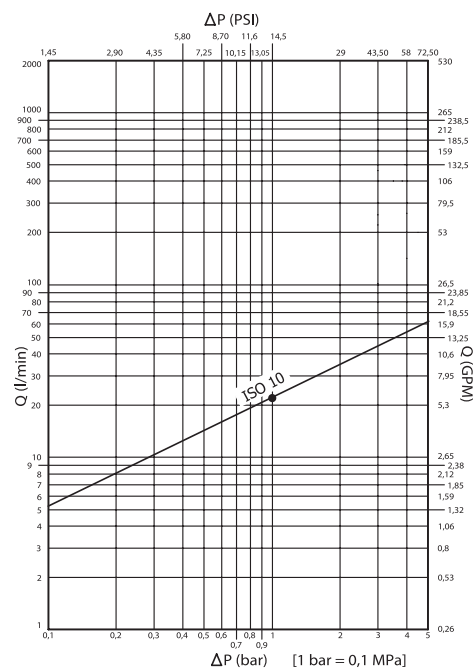
## Technische Merkmale

D

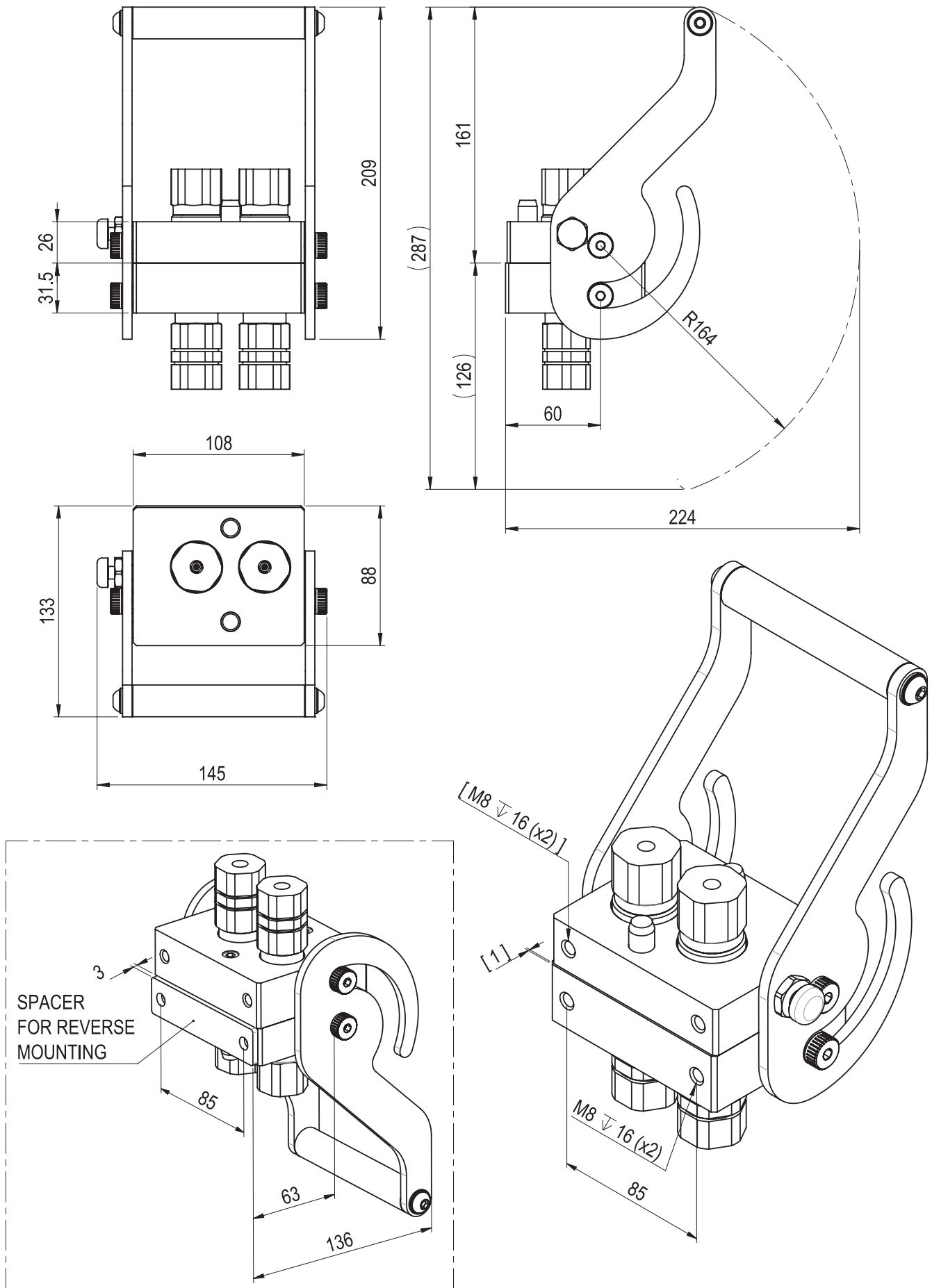
- Austauschbarkeit: laut exclusive Dnp Zeichnung
- Verschluss: flachdichtend
- Kupplung: Hebel mit doppelter Sicherung
- Werkstoff: Stahl und Aluminium
- Ausführung: Zn-Fe (Cr III), Eloxiert
- Gewinde: BSP-NPT-SAE-METRIC-Rc
- Standard-Dichtungen: NBR und PU
- Betriebstemperatur: -25°C+100°C
- Dichtungen nach Wahl: FKM, EPDM, usw.
- Betriebsdruck: 350 bar
- Kuppeln unter Restdruck: erlaubt (nur Steckerseite)

Nominal size				Max working pressure	Rated flow	Max flow rate	Min burst pressure			Fluid spillage
DNP	BG	ISO	Ømm				Male	Female	Coupled	
13	2	10	8.6	35	23	46	140	140	140	0.010

1 MPa = 145.04 psi • 1 l = 0.264 gal



## PSQ2 DIMENSION



## PSQ2 FIXED



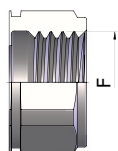
THREADS	DNP	BG	ISO	Housings	No. of Couplings	F	STANDARD	FIXED PART	
								CODE	Weight (g)
<b>IG 1</b>	13	2	10	2	2	BSP 1/4"	DIN 3852-2	PSQ2.1306.002	1380
	13	2	10	2	2	NPT 1/4"	ANSI B1.20.1	PSQ2.1306.012	1380
	13	2	10	2	2	BSP 3/8"	DIN 3852-2	PSQ2.1310.002	1360
	13	2	10	2	2	NPT 3/8"	ANSI B1.20.1	PSQ2.1310.012	1360
	13	2	10	2	2	Rc 3/8"	EN 10226-2	PSQ2.1310.042	1360
	13	2	10	2	2	BSP 1/2"	DIN 3852-2	PSQ2.1313.002	1330
	13	2	10	2	2	NPT 1/2"	ANSI B1.20.1	PSQ2.1313.012	1335
	13	2	10	2	2	Rc 1/2"	EN 10226-2	PSQ2.1313.042	1340
	13	2	10	2	2	M16x1.5	DIN 3852-1	PSQ2.1316.102	1365
	13	2	10	2	2	M18x1.5	DIN 3852-1	PSQ2.1318.102	1350
<b>IG 2</b>	13	2	10	2	2	9/16"-18 UNF 2B	SAE J 1926-1	PSQ2.1315.032	1355
	13	2	10	2	2	3/4"-16 UNF 2B	SAE J 1926-1	PSQ2.1319.032	1340
	13	2	10	2	2	M22x1.5	ISO 6149-1	PSQ2.1322.102	1325
<b>AG 3</b>	13	2	10	2	2	M18x1.5-12L	ISO 8434-1-L	PSQ2.1318.302	1300
	13	2	10	2	2	M20x1.5-12S	ISO 8434-1-S	PSQ2.1320.402	1315
	13	2	10	2	2	M22x1.5-15L	ISO 8434-1-L	PSQ2.1322.302	1310
<b>AG 8</b>	13	2	10	2	2	BSP 1/2"	BS B5200	PSQ2.1313.702	1305

## PSQ2 MOBILE

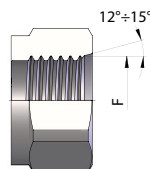


THREADS	DNP	BG	ISO	Housings	No. of Couplings	F	STANDARD	MOBILE PART	
								CODE	Weight (g)
<b>IG 1</b>	13	2	10	2	2	BSP 1/4"	DIN 3852-2	PSQ2.1306.003	2345
	13	2	10	2	2	NPT 1/4"	ANSI B1.20.1	PSQ2.1306.013	2360
	13	2	10	2	2	BSP 3/8"	DIN 3852-2	PSQ2.1310.003	2325
	13	2	10	2	2	NPT 3/8"	ANSI B1.20.1	PSQ2.1310.013	2355
	13	2	10	2	2	Rc 3/8"	EN 10226-2	PSQ2.1310.043	2365
	13	2	10	2	2	BSP 1/2"	DIN 3852-2	PSQ2.1313.003	2295
	13	2	10	2	2	NPT 1/2"	ANSI B1.20.1	PSQ2.1313.013	2330
	13	2	10	2	2	Rc 1/2"	EN 10226-2	PSQ2.1313.043	2335
	13	2	10	2	2	M16x1.5	DIN 3852-1	PSQ2.1316.103	2330
	13	2	10	2	2	M18x1.5	DIN 3852-1	PSQ2.1318.103	2320
<b>IG 2</b>	13	2	10	2	2	9/16"-18 UNF 2B	SAE J 1926-1	PSQ2.1315.033	2350
	13	2	10	2	2	3/4"-16 UNF 2B	SAE J 1926-1	PSQ2.1319.033	2315
	13	2	10	2	2	M22x1.5	ISO 6149-1	PSQ2.1322.103	2305
<b>AG 3</b>	13	2	10	2	2	M18x1.5-12L	ISO 8434-1-L	PSQ2.1318.303	2310
	13	2	10	2	2	M20x1.5-12S	ISO 8434-1-S	PSQ2.1320.403	2315
	13	2	10	2	2	M22x1.5-15L	ISO 8434-1-L	PSQ2.1322.303	2310
<b>AG 8</b>	13	2	10	2	2	BSP 1/2"	BS B5200	PSQ2.1313.703	2270

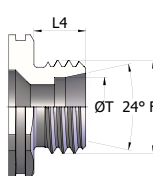
THREADS



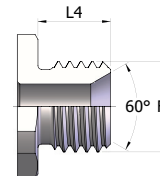
IG 1



IG 2



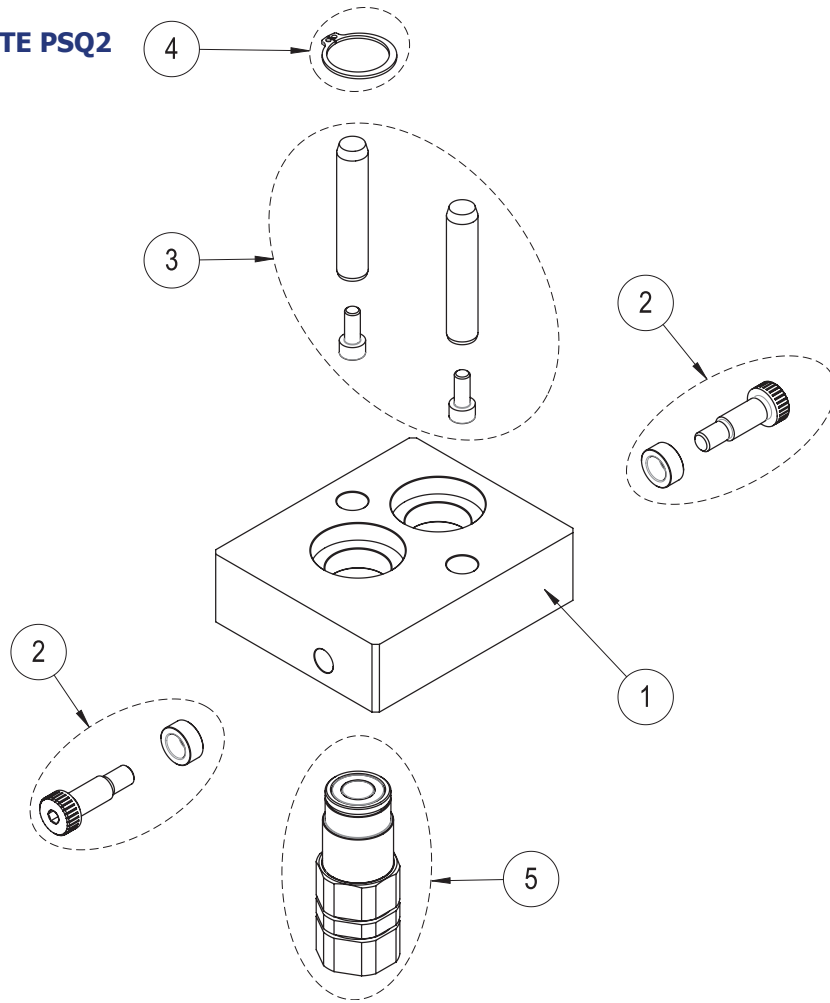
AG 3



AG 8

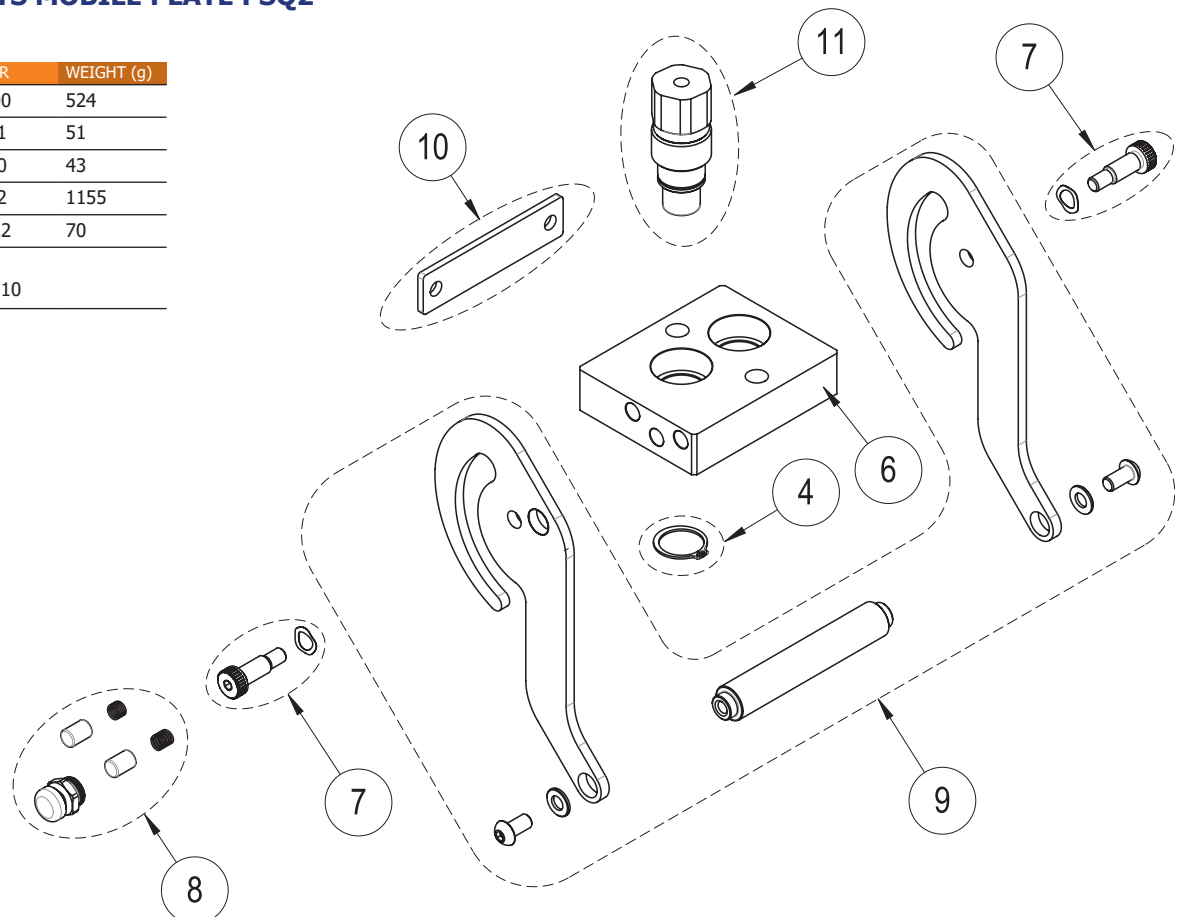
## SPARE PARTS FIXED PLATE PSQ2

POS.	PART NUMBER	WEIGHT (g)
1	PSQ.220.100	697
2	PSQ.KIT.020	64
3	PSQ.KIT.017	106
4	PSQ.000.016	2
5	SEE SPARE PARTS ISO 10	

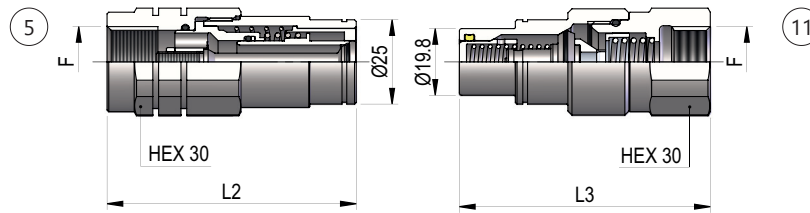


## SPARE PARTS MOBILE PLATE PSQ2

POS.	PART NUMBER	WEIGHT (g)
6	PSQ.320.300	524
7	PSQ.KIT.011	51
8	PSQ.KIT.050	43
9	PSQ.KIT.042	1155
10	PSQ.000.022	70
11	SEE SPARE PARTS ISO 10	

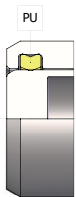


## SPARE PARTS ISO 10 COUPLINGS



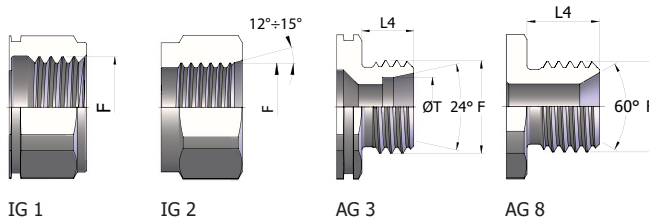
THREADS	DNP	BG	ISO	L2	L3	L4	ØT	F	STANDARD	SPARE PARTS			
										FEMALE - MUFFE		MALE - STECKER	
										COD. F	Weight (g)	COD. M	Weight (g)
<b>IG 1</b>	13	2	10	73.5	74			BSP 1/4"	DIN 3852-2	POT4.1306.112	270	POT4.1306.113	255
	13	2	10	73.5	75			NPT 1/4"	ANSI B1.20.1	POT4.1306.012	277	POT4.1306.013	262
	13	2	10	73.5	74			BSP 3/8"	DIN 3852-2	POT4.1310.112	261	POT4.1310.113	245
	13	2	10	73.5	77.5			NPT 3/8"	ANSI B1.20.1	POT4.1310.012	263	POT4.1310.013	261
	13	2	10	73.5	77.5			Rc 3/8"	EN 10226-2	POT4.1310.042	262	POT4.1310.043	264
	13	2	10	73.5	74			BSP 1/2"	DIN 3852-2	POT4.1313.112	246	POT4.1313.113	231
	13	2	10	73.5	78			NPT 1/2"	ANSI B1.20.1	POT4.1313.012	248	POT4.1313.013	248
	13	2	10	74.5	78			Rc 1/2"	EN 10226-2	POT4.1313.042	252	POT4.1313.043	249
	13	2	10	73.5	74			M16x1.5	DIN 3852-1	POT4.1316.102	263	POT4.1316.103	248
	13	2	10	73.5	74			M18x1.5	DIN 3852-1	POT4.1318.102	256	POT4.1318.103	241
<b>IG 2</b>	13	2	10	72	75			9/16"-18 UNF 2B	SAE J1926-1	POT4.1315.032	260	POT4.1315.033	256
	13	2	10	73.5	75			3/4"-16 UNF 2B	SAE J1926-1	POT4.1319.032	253	POT4.1319.033	240
	13	2	10	74.5	75			M22x1.5	ISO 6149-1	POT4.1322.102	244	POT4.1322.103	235
<b>AG 3</b>	13	2	10	73.5	78	11	12L	M18x1.5	ISO 8434-1-L	POT4.1318.302	231	POT4.1318.303	238
	13	2	10	74.5	78	12	15L	M22x1.5	ISO 8434-1-L	POT4.1322.302	237	POT4.1322.303	238
	13	2	10	74.5	78	12	12S	M20x1.5	ISO 8434-1-S	POT4.1320.402	239	POT4.1320.403	241
<b>AG 8</b>	13	2	10	75	75	13		BSP 1/2"	BS B5200	POT4.1313.702	235	POT4.1313.703	216

## SPARE PARTS SEALS



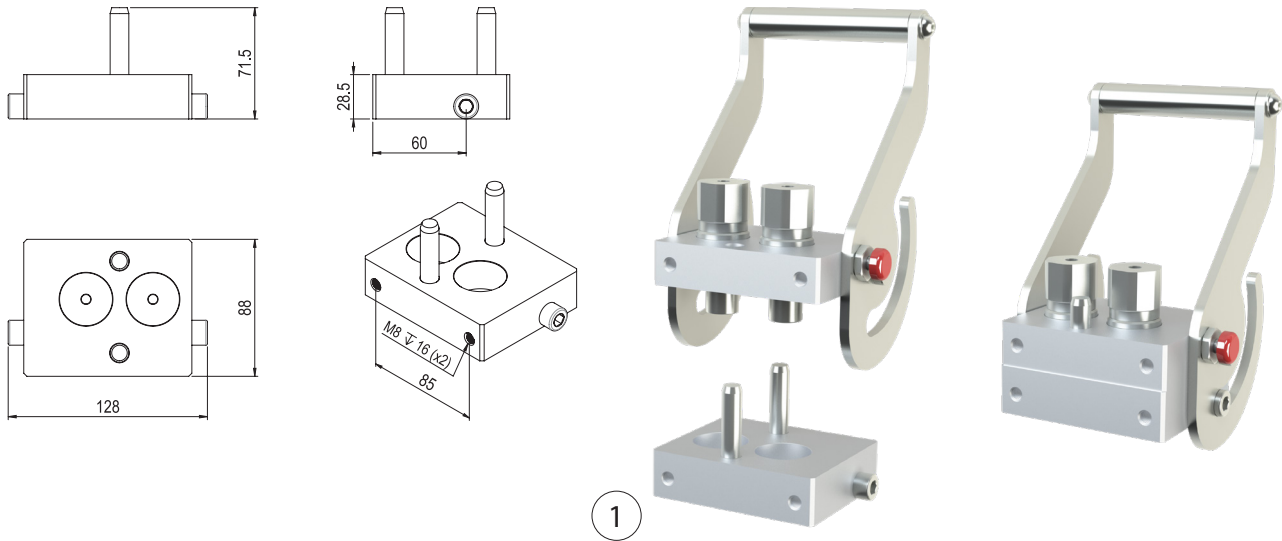
NOMINAL SIZE			MALE GASKET	
DNP	BG	ISO	PU(POLYURETHANE)	
13	2	10	PLK.013.210	

THREADS



**DOCKING STATION**

POS.	PART NUMBER	WEIGHT (g)
1	PPSQ.220	740


**PLATE CAP**

POS.	PART NUMBER	WEIGHT (g)
1	SPSQ.220	180





## Technical data

E

- Interchange: exclusive Dnp profile
- Occlusion: flat face
- Locking: lever with safety device
- Material: steel and aluminum
- Finishing: Zn-Fe (Cr III), Anodizing
- Threads: BSP-NPT-SAE-METRICS-Rc
- Standard seals: NBR and PU
- Working temperature: -25°C+100°C
- Optional seals: FKM, EPDM or more
- Working pressure: 350 bar
- Connection under residual pressure: allowed (male side only)

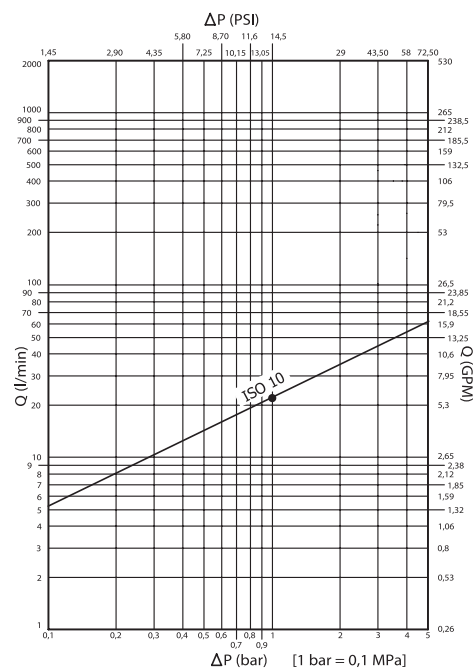
## Technische Merkmale

D

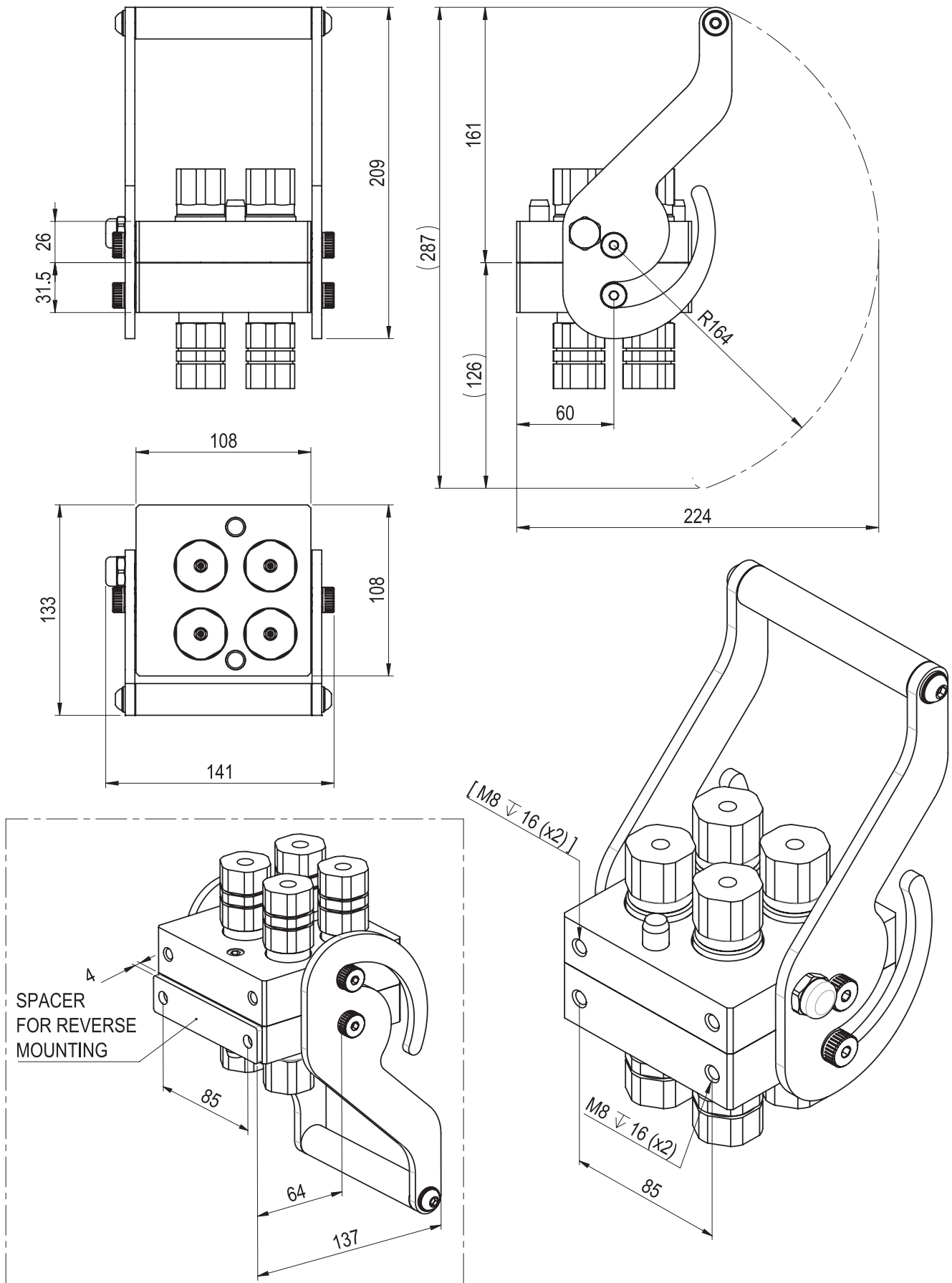
- Austauschbarkeit: laut exclusive Dnp Zeichnung
- Verschluss: flachdichtend
- Kupplung: Hebel mit doppelter Sicherung
- Werkstoff: Stahl und Aluminium
- Ausführung: Zn-Fe (Cr III), Eloxiert
- Gewinde: BSP-NPT-SAE-METRIC-Rc
- Standard-Dichtungen: NBR und PU
- Betriebstemperatur: -25°C+100°C
- Dichtungen nach Wahl: FKM, EPDM, usw.
- Betriebsdruck: 350 bar
- Kuppeln unter Restdruck: erlaubt (nur Steckerseite)

Nominal size				Max working pressure MPa	Rated flow l/min	Max flow rate l/min	Min burst pressure			Fluid spillage cc
DNP	BG	ISO	Ømm				Male MPa	Female MPa	Coupled MPa	
13	2	10	8.6	35	23	46	140	140	140	0.010

1 MPa = 145.04 psi • 1 l = 0.264 gal



## PSQ4 DIMENSION



## PSQ4 FIXED



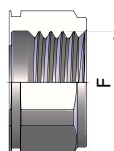
THREADS	DNP	BG	ISO	Housings	No. of Couplings	F	STANDARD	FIXED PART	
								CODE	Weight (g)
<b>IG 1</b>	13	2	10	4	4	BSP 1/4"	DIN 3852-2	PSQ4.1306.002	1980
	13	2	10	4	4	NPT 1/4"	ANSI B1.20.1	PSQ4.1306.012	2015
	13	2	10	4	4	BSP 3/8"	DIN 3852-2	PSQ4.1310.002	1950
	13	2	10	4	4	NPT 3/8"	ANSI B1.20.1	PSQ4.1310.012	1960
	13	2	10	4	4	Rc 3/8"	EN 10226-2	PSQ4.1310.042	1955
	13	2	10	4	4	BSP 1/2"	DIN 3852-2	PSQ4.1313.002	1890
	13	2	10	4	4	NPT 1/2"	ANSI B1.20.1	PSQ4.1313.012	1900
	13	2	10	4	4	Rc 1/2"	EN 10226-2	PSQ4.1313.042	1915
	13	2	10	4	4	M16x1.5	DIN 3852-1	PSQ4.1316.102	1960
	13	2	10	4	4	M18x1.5	DIN 3852-1	PSQ4.1318.102	1930
<b>IG 2</b>	13	2	10	4	4	9/16"-18 UNF 2B	SAE J1926-1	PSQ4.1315.032	1945
	13	2	10	4	4	3/4"-16 UNF 2B	SAE J1926-1	PSQ4.1319.032	1920
	13	2	10	4	4	M22x1.5	ISO 6149-1	PSQ4.1322.102	1885
<b>AG 3</b>	13	2	10	4	4	M18x1.5-12L	ISO 8434-1-L	PSQ4.1318.302	1830
	13	2	10	4	4	M20x1.5-12S	ISO 8434-1-S	PSQ4.1320.402	1865
	13	2	10	4	4	M22x1.5-15L	ISO 8434-1-L	PSQ4.1322.302	1855
<b>AG 8</b>	13	2	10	4	4	BSP 1/2"	BS B5200	PSQ4.1313.702	1845

## PSQ4 MOBILE

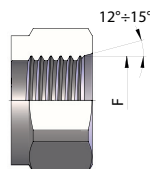


THREADS	DNP	BG	ISO	Housings	No. of Couplings	F	STANDARD	MOBILE PART		
								CODE	Weight (g)	
<b>IG 1</b>	13	2	10	4	4	BSP 1/4"	DIN 3852-2	PSQ4.1306.003	2945	
	13	2	10	4	4	NPT 1/4"	ANSI B1.20.1	PSQ4.1306.013	2975	
	13	2	10	4	4	BSP 3/8"	DIN 3852-2	PSQ4.1310.003	2905	
	13	2	10	4	4	NPT 3/8"	ANSI B1.20.1	PSQ4.1310.013	2970	
	13	2	10	4	4	Rc 3/8"	EN 10226-2	PSQ4.1310.043	2980	
	13	2	10	4	4	BSP 1/2"	DIN 3852-2	PSQ4.1313.003	2850	
	13	2	10	4	4	NPT 1/2"	ANSI B1.20.1	PSQ4.1313.013	2920	
	13	2	10	4	4	Rc 1/2"	EN 10226-2	PSQ4.1313.043	2920	
	13	2	10	4	4	M16x1.5	DIN 3852-1	PSQ4.1316.103	2920	
	13	2	10	4	4	M18x1.5	DIN 3852-1	PSQ4.1318.103	2895	
	<b>IG 2</b>	13	2	10	4	4	9/16"-18 UNF 2B	SAE J1926-1	PSQ4.1315.033	2950
		13	2	10	4	4	3/4"-16 UNF 2B	SAE J1926-1	PSQ4.1319.033	2885
		13	2	10	4	4	M22x1.5	ISO 6149-1	PSQ4.1322.103	2865
<b>AG 3</b>	13	2	10	4	4	M18x1.5-12L	ISO 8434-1-L	PSQ4.1318.303	2875	
	13	2	10	4	4	M20x1.5-12S	ISO 8434-1-S	PSQ4.1320.403	2890	
	13	2	10	4	4	M22x1.5-15L	ISO 8434-1-L	PSQ4.1322.303	2875	
<b>AG 8</b>	13	2	10	4	4	BSP 1/2"	BS B5200	PSQ4.1313.703	2790	

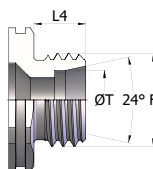
THREADS



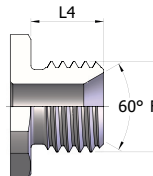
IG 1



IG 2



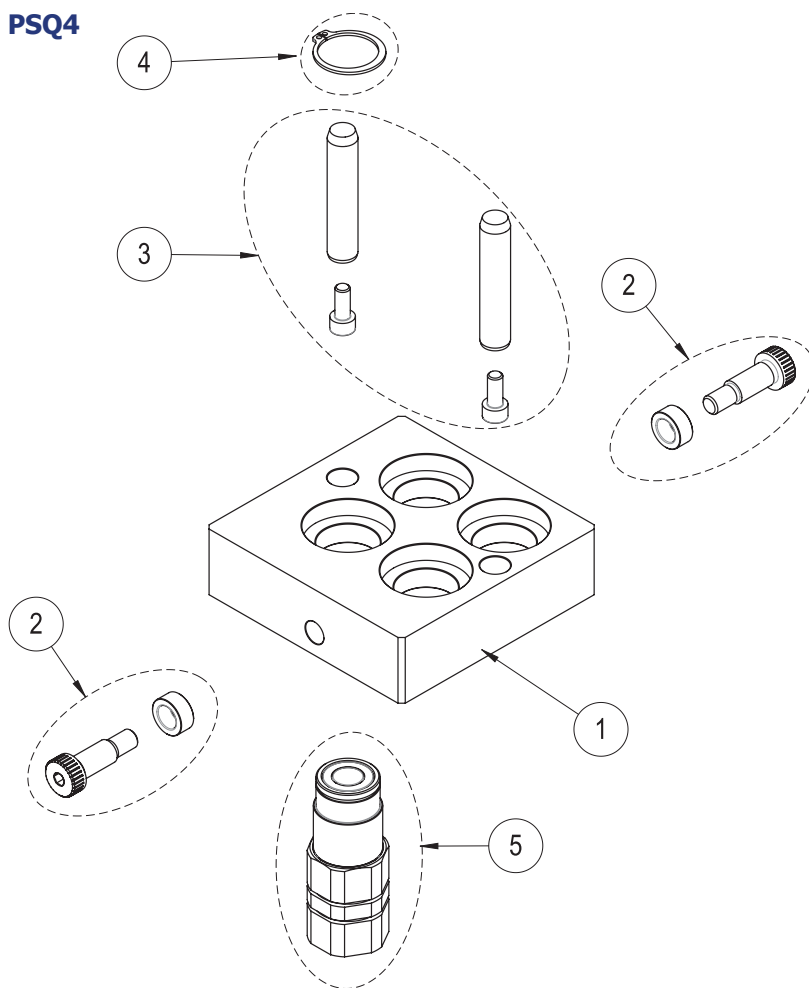
AG 3



AG 8

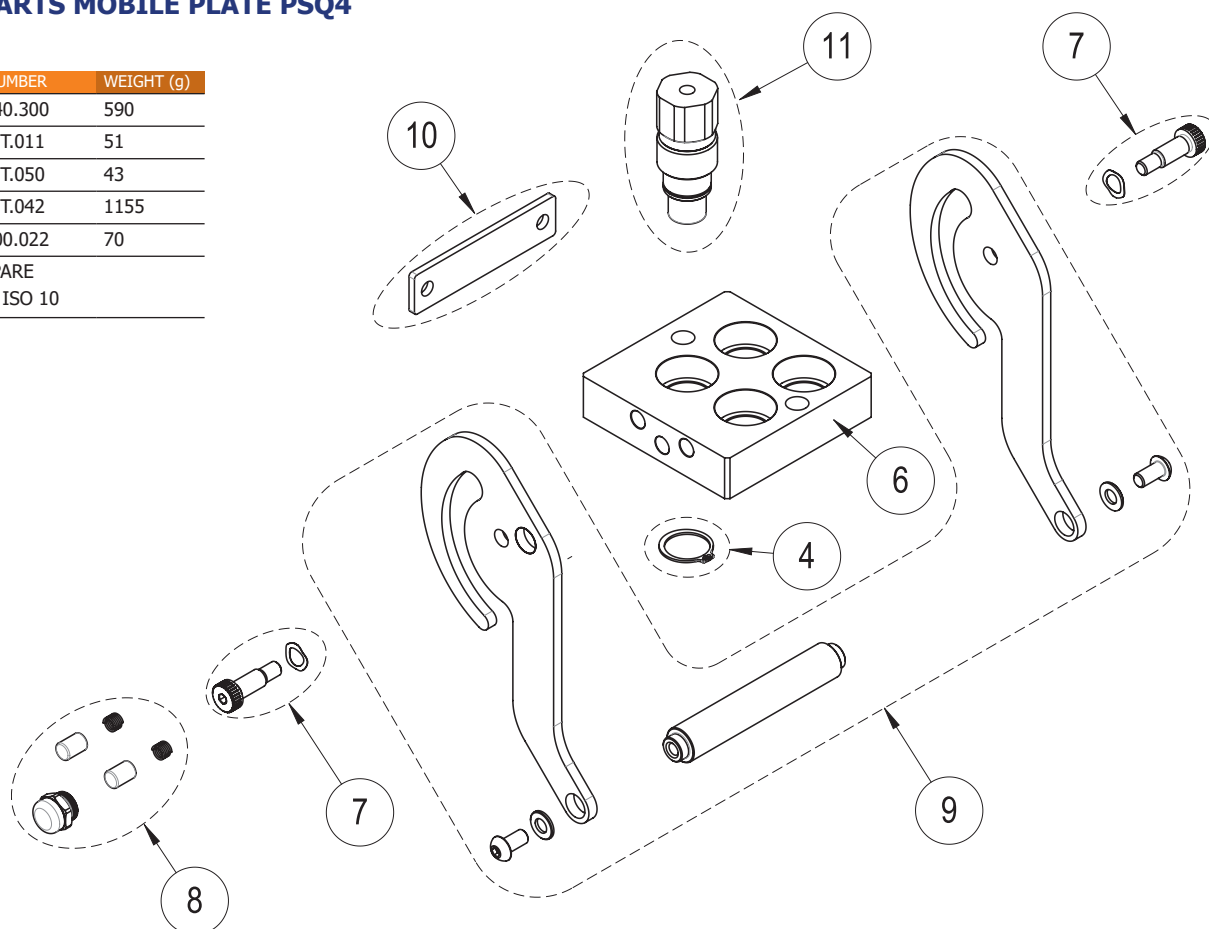
## SPARE PARTS FIXED PLATE PSQ4

POS.	PART NUMBER	WEIGHT (g)
1	PSQ.240.100	730
2	PSQ.KIT.020	64
3	PSQ.KIT.017	106
4	PSQ.000.016	2
5	SEE SPARE PARTS ISO 10	

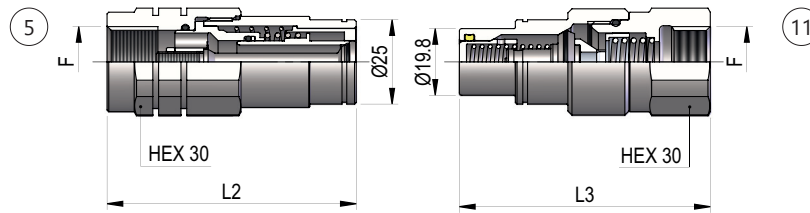


## SPARE PARTS MOBILE PLATE PSQ4

POS.	PART NUMBER	WEIGHT (g)
6	PSQ.340.300	590
7	PSQ.KIT.011	51
8	PSQ.KIT.050	43
9	PSQ.KIT.042	1155
10	PSQ.000.022	70
11	SEE SPARE PARTS ISO 10	

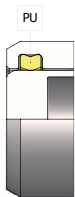


## SPARE PARTS ISO 10 COUPLINGS



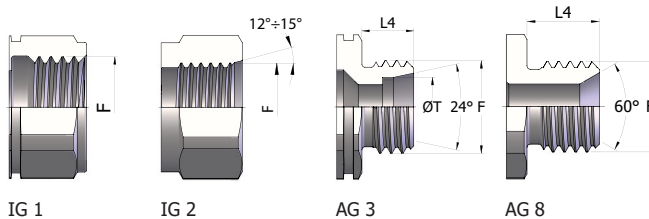
THREADS	DNP	BG	ISO	L2	L3	L4	ØT	F	STANDARD	SPARE PARTS			
										FEMALE - MUFFE		MALE - STECKER	
										COD. F	Weight (g)	COD. M	Weight (g)
<b>IG 1</b>	13	2	10	73.5	74			BSP 1/4"	DIN 3852-2	POT4.1306.112	270	POT4.1306.113	255
	13	2	10	73.5	75			NPT 1/4"	ANSI B1.20.1	POT4.1306.012	277	POT4.1306.013	262
	13	2	10	73.5	74			BSP 3/8"	DIN 3852-2	POT4.1310.112	261	POT4.1310.113	245
	13	2	10	73.5	77.5			NPT 3/8"	ANSI B1.20.1	POT4.1310.012	263	POT4.1310.013	261
	13	2	10	73.5	77.5			Rc 3/8"	EN 10226-2	POT4.1310.042	262	POT4.1310.043	264
	13	2	10	73.5	74			BSP 1/2"	DIN 3852-2	POT4.1313.112	246	POT4.1313.113	231
	13	2	10	73.5	78			NPT 1/2"	ANSI B1.20.1	POT4.1313.012	248	POT4.1313.013	248
	13	2	10	74.5	78			Rc 1/2"	EN 10226-2	POT4.1313.042	252	POT4.1313.043	249
	13	2	10	73.5	74			M16x1.5	DIN 3852-1	POT4.1316.102	263	POT4.1316.103	248
	13	2	10	73.5	74			M18x1.5	DIN 3852-1	POT4.1318.102	256	POT4.1318.103	241
<b>IG 2</b>	13	2	10	72	75			9/16"-18 UNF 2B	SAE J1926-1	POT4.1315.032	260	POT4.1315.033	256
	13	2	10	73.5	75			3/4"-16 UNF 2B	SAE J1926-1	POT4.1319.032	253	POT4.1319.033	240
	13	2	10	74.5	75			M22x1.5	ISO 6149-1	POT4.1322.102	244	POT4.1322.103	235
<b>AG 3</b>	13	2	10	73.5	78	11	12L	M18x1.5	ISO 8434-1-L	POT4.1318.302	231	POT4.1318.303	238
	13	2	10	74.5	78	12	15L	M22x1.5	ISO 8434-1-L	POT4.1322.302	237	POT4.1322.303	238
	13	2	10	74.5	78	12	12S	M20x1.5	ISO 8434-1-S	POT4.1320.402	239	POT4.1320.403	241
<b>AG 8</b>	13	2	10	75	75	13		BSP 1/2"	BS B5200	POT4.1313.702	235	POT4.1313.703	216

## SPARE PARTS SEALS



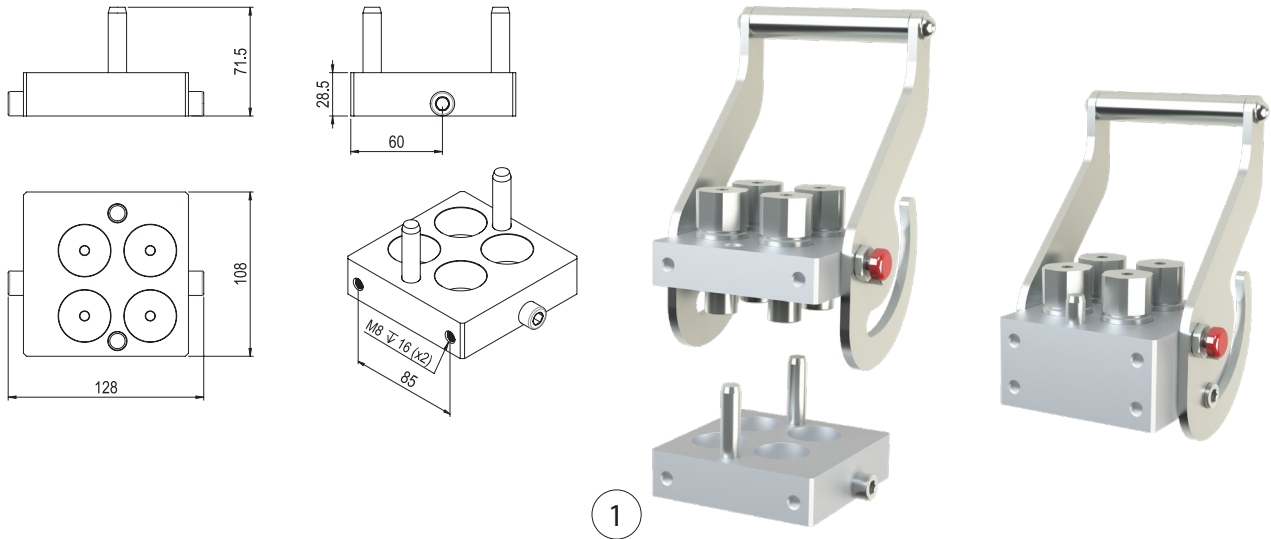
NOMINAL SIZE			MALE GASKET	
DNP	BG	ISO	PU(POLYURETHANE)	
13	2	10	PLK.013.210	

THREADS



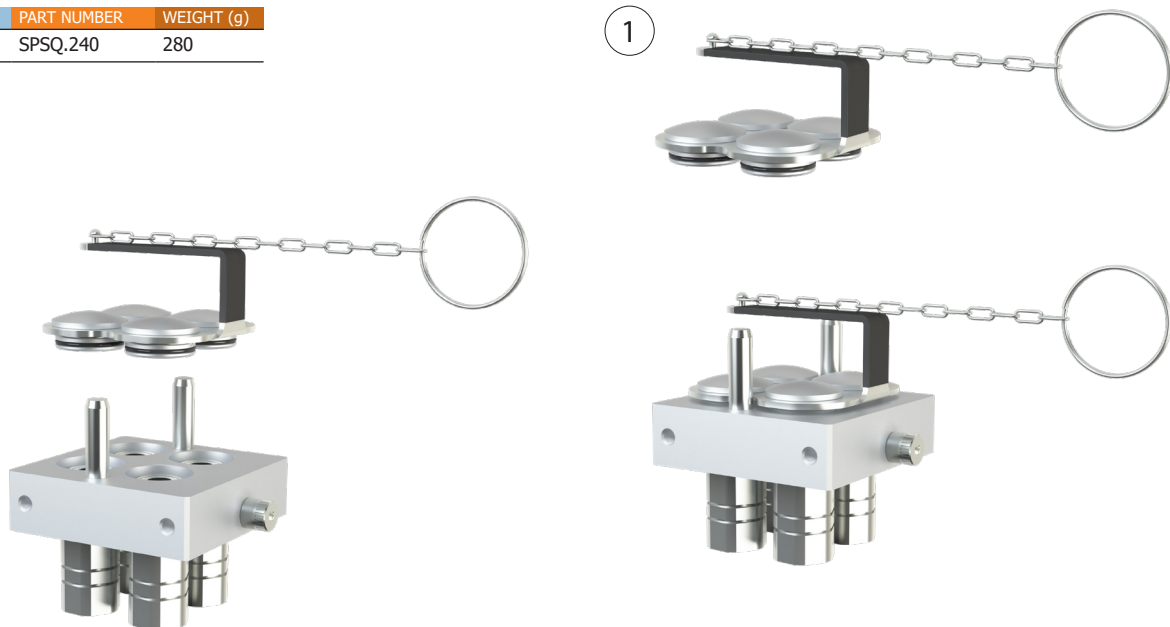
**DOCKING STATION**

POS.	PART NUMBER	WEIGHT (g)
1	PPSQ.240	800



**PLATE CAP**

POS.	PART NUMBER	WEIGHT (g)
1	SPSQ.240	280





## Technical data

E

- Interchange: exclusive Dnp profile
- Occlusion: flat face
- Locking: lever with safety device
- Material: steel and aluminum
- Finishing: Zn-Fe (Cr III), Anodizing
- Threads: BSP-NPT-SAE-METRICS-Rc
- Standard seals: NBR and PU
- Working temperature: -25°C+100°C
- Optional seals: FKM, EPDM or more
- Working pressure: 350 bar
- Connection under residual pressure: allowed (male side only)

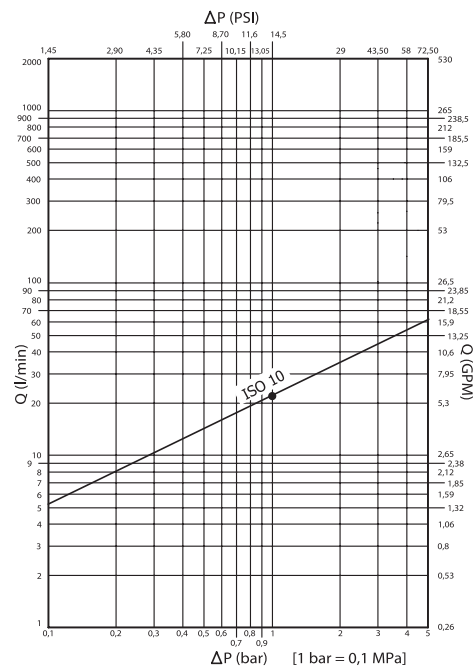
## Technische Merkmale

D

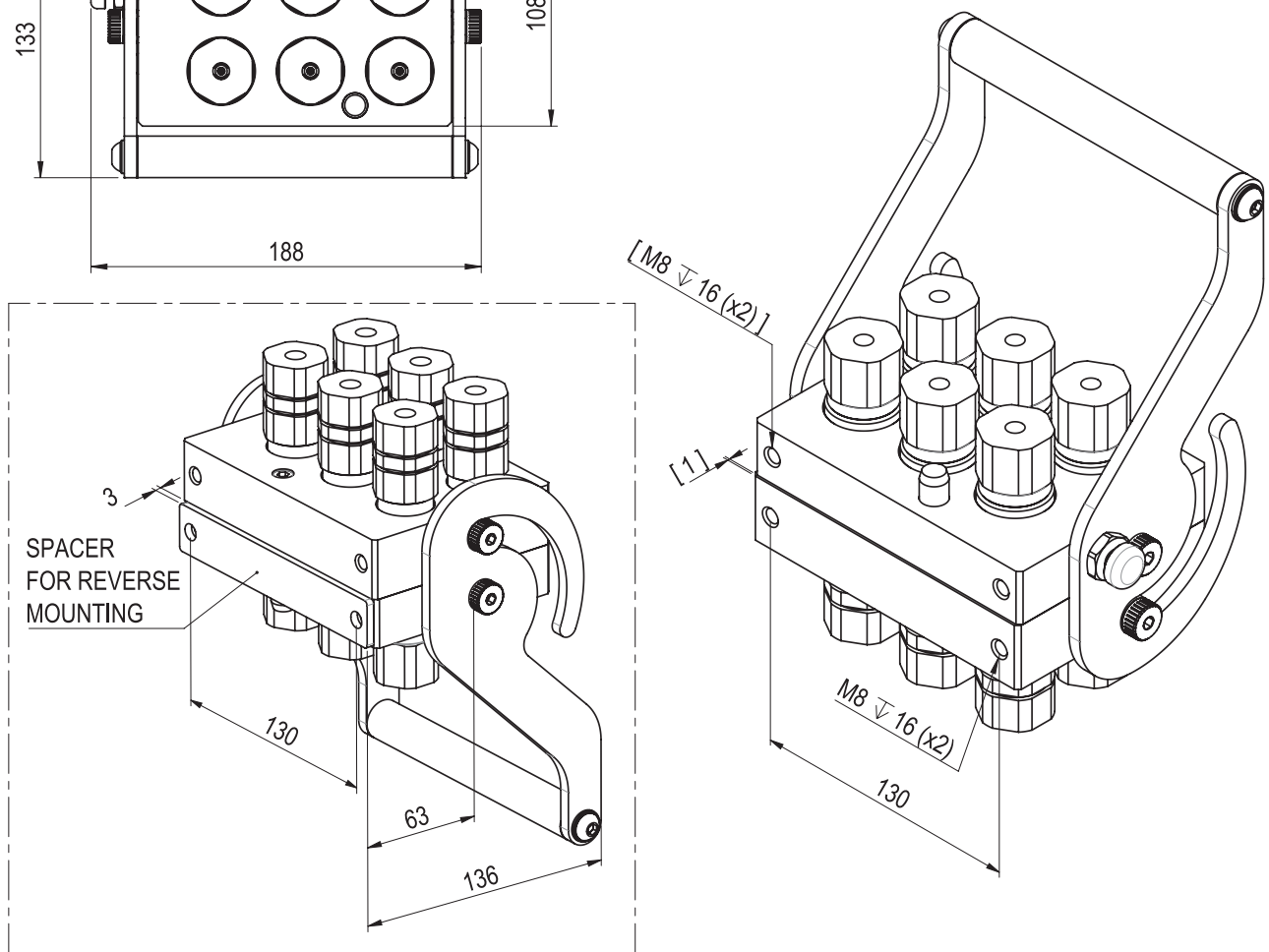
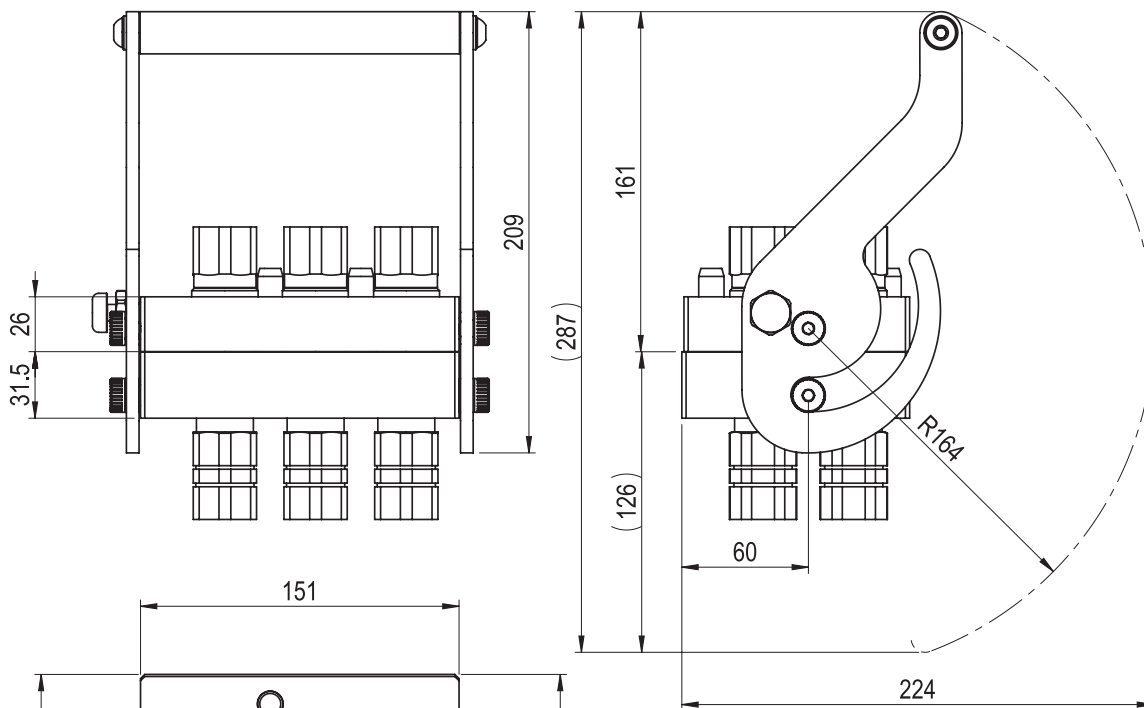
- Austauschbarkeit: laut exclusive Dnp Zeichnung
- Verschluss: flachdichtend
- Kupplung: Hebel mit doppelter Sicherung
- Werkstoff: Stahl und Aluminium
- Ausführung: Zn-Fe (Cr III), Eloxiert
- Gewinde: BSP-NPT-SAE-METRIC-Rc
- Standard-Dichtungen: NBR und PU
- Betriebstemperatur: -25°C+100°C
- Dichtungen nach Wahl: FKM, EPDM, usw.
- Betriebsdruck: 350 bar
- Kuppeln unter Restdruck: erlaubt (nur Steckerseite)

Nominal size				Max working pressure	Rated flow	Max flow rate	Min burst pressure			Fluid spillage
DNP	BG	ISO	Ømm				Male	Female	Coupled	
13	2	10	8.6	35	23	46	140	140	140	0.010

1 MPa = 145.04 psi • 1 l = 0.264 gal



## PSQ6 DIMENSION

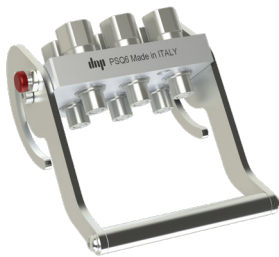


## PSQ6 FIXED



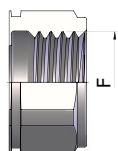
THREADS	DNP	BG	ISO	Housings	No. of Couplings	F	STANDARD	FIXED PART	
								CODE	Weight (g)
<b>IG 1</b>	13	2	10	6	6	BSP 1/4"	DIN 3852-2	PSQ6.1306.002	2805
	13	2	10	6	6	NPT 1/4"	ANSI B1.20.1	PSQ6.1306.012	2845
	13	2	10	6	6	BSP 3/8"	DIN 3852-2	PSQ6.1310.002	2745
	13	2	10	6	6	NPT 3/8"	ANSI B1.20.1	PSQ6.1310.012	2755
	13	2	10	6	6	Rc 3/8"	EN 10226-2	PSQ6.1310.042	2755
	13	2	10	6	6	BSP 1/2"	DIN 3852-2	PSQ6.1313.002	2655
	13	2	10	6	6	NPT 1/2"	ANSI B1.20.1	PSQ6.1313.012	2670
	13	2	10	6	6	Rc 1/2"	EN 10226-2	PSQ6.1313.042	2695
	13	2	10	6	6	M16x1.5	DIN 3852-1	PSQ6.1316.102	2760
	13	2	10	6	6	M18x1.5	DIN 3852-1	PSQ6.1318.102	2720
<b>IG 2</b>	13	2	10	6	6	9/16"-18 UNF 2B	SAE J1926-1	PSQ6.1315.032	2740
	13	2	10	6	6	3/4"-16 UNF 2B	SAE J1926-1	PSQ6.1319.032	2695
	13	2	10	6	6	M22x1.5	ISO 6149-1	PSQ6.1322.102	2645
<b>AG 3</b>	13	2	10	6	6	M18x1.5-12L	ISO 8434-1-L	PSQ6.1318.302	2565
	13	2	10	6	6	M20x1.5-12S	ISO 8434-1-S	PSQ6.1320.402	2615
	13	2	10	6	6	M22x1.5-15L	ISO 8434-1-L	PSQ6.1322.302	2600
<b>AG 8</b>	13	2	10	6	6	BSP 1/2"	BS B5200	PSQ6.1313.702	2590

## PSQ6 MOBILE

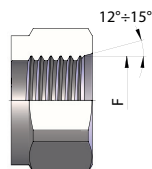


THREADS	DNP	BG	ISO	Housings	No. of Couplings	F	STANDARD	MOBILE PART	
								CODE	Weight (g)
<b>IG 1</b>	13	2	10	6	6	BSP 1/4"	DIN 3852-2	PSQ6.1306.003	3810
	13	2	10	6	6	NPT 1/4"	ANSI B1.20.1	PSQ6.1306.013	3850
	13	2	10	6	6	BSP 3/8"	DIN 3852-2	PSQ6.1310.003	3750
	13	2	10	6	6	NPT 3/8"	ANSI B1.20.1	PSQ6.1310.013	3845
	13	2	10	6	6	Rc 3/8"	EN 10226-2	PSQ6.1310.043	3865
	13	2	10	6	6	BSP 1/2"	DIN 3852-2	PSQ6.1313.003	3665
	13	2	10	6	6	NPT 1/2"	ANSI B1.20.1	PSQ6.1313.013	3770
	13	2	10	6	6	Rc 1/2"	EN 10226-2	PSQ6.1313.043	3775
	13	2	10	6	6	M16x1.5	DIN 3852-1	PSQ6.1316.103	3730
	13	2	10	6	6	M18x1.5	DIN 3852-1	PSQ6.1318.103	3770
<b>IG 2</b>	13	2	10	6	6	9/16"-18 UNF 2B	SAE J1926-1	PSQ6.1315.033	3820
	13	2	10	6	6	3/4"-16 UNF 2B	SAE J1926-1	PSQ6.1319.033	3720
	13	2	10	6	6	M22x1.5	ISO 6149-1	PSQ6.1322.103	3690
<b>AG 3</b>	13	2	10	6	6	M18x1.5-12L	ISO 8434-1-L	PSQ6.1318.303	3705
	13	2	10	6	6	M20x1.5-12S	ISO 8434-1-S	PSQ6.1320.403	3725
	13	2	10	6	6	M22x1.5-15L	ISO 8434-1-L	PSQ6.1322.303	3705
<b>AG 8</b>	13	2	10	6	6	BSP 1/2"	BS B5200	PSQ6.1313.703	3575

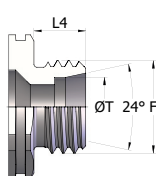
THREADS



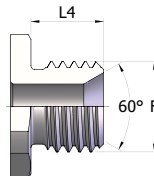
IG 1



IG 2



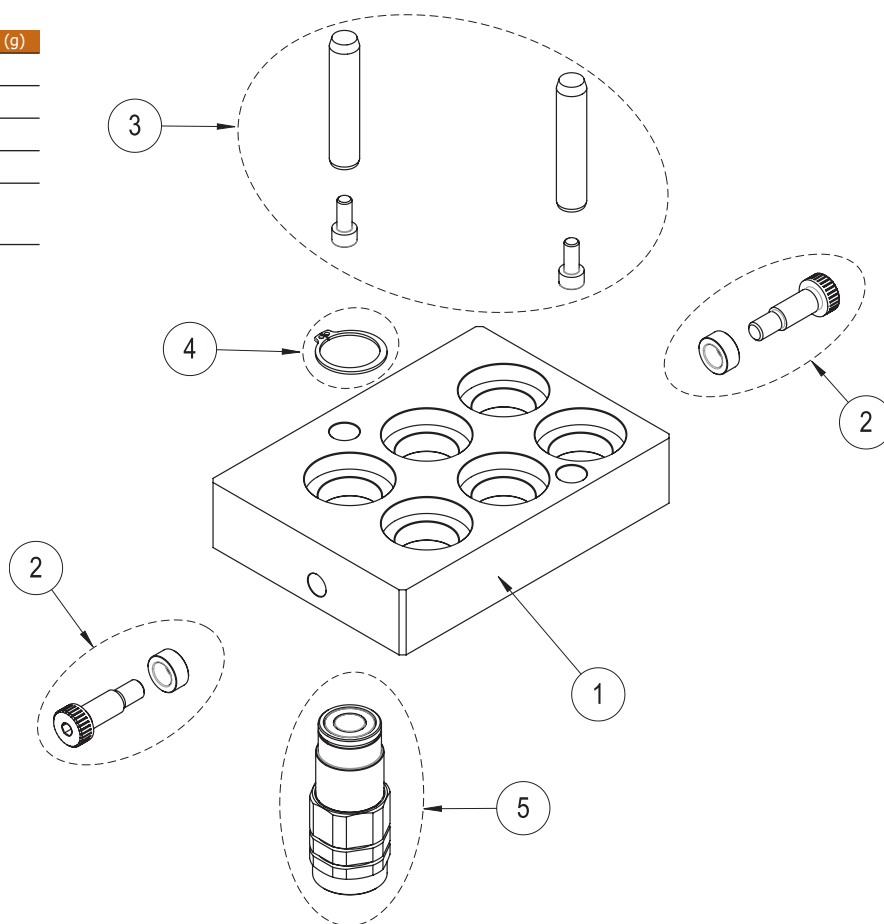
AG 3



AG 8

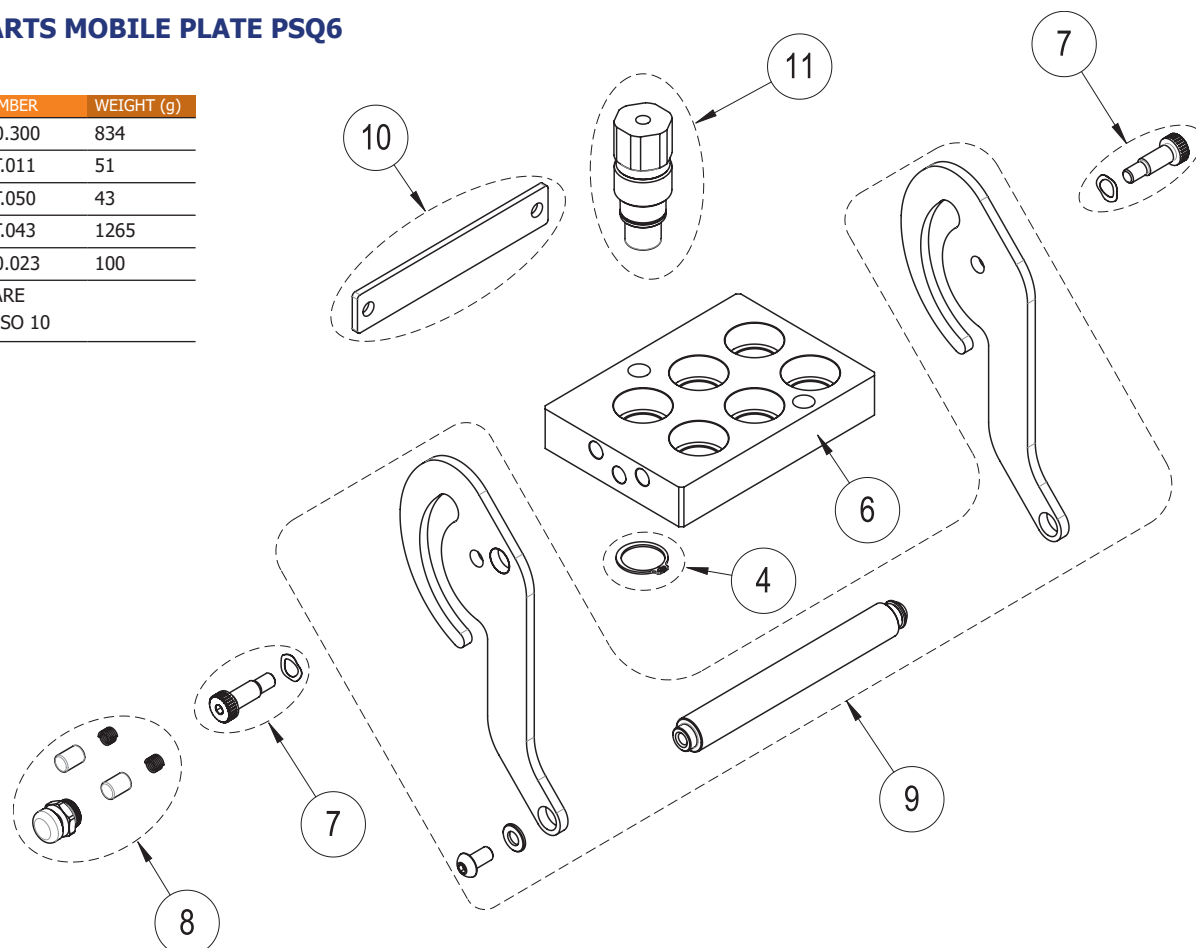
## SPARE PARTS FIXED PLATE PSQ6

POS.	PART NUMBER	WEIGHT (g)
1	PSQ.260.100	1050
2	PSQ.KIT.020	64
3	PSQ.KIT.017	106
4	PSQ.000.016	2
5	SEE SPARE PARTS ISO 10	

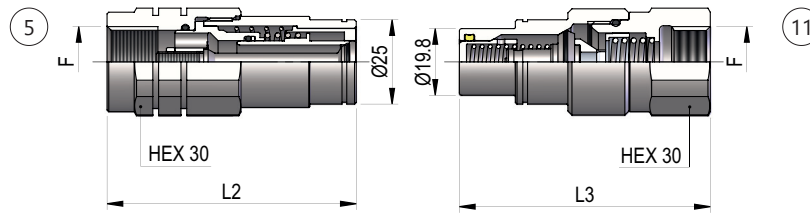


## SPARE PARTS MOBILE PLATE PSQ6

POS.	PART NUMBER	WEIGHT (g)
6	PSQ.360.300	834
7	PSQ.KIT.011	51
8	PSQ.KIT.050	43
9	PSQ.KIT.043	1265
10	PSQ.000.023	100
11	SEE SPARE PARTS ISO 10	

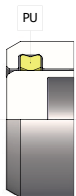


## SPARE PARTS ISO 10 COUPLINGS



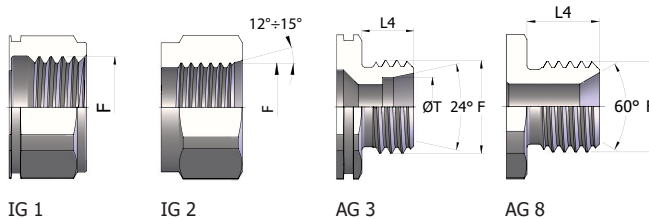
THREADS	DNP	BG	ISO	L2	L3	L4	ØT	F	STANDARD	SPARE PARTS			
										FEMALE - MUFFE		MALE - STECKER	
										COD. F	Weight (g)	COD. M	Weight (g)
<b>IG 1</b>	13	2	10	73.5	74			BSP 1/4"	DIN 3852-2	POT4.1306.112	270	POT4.1306.113	255
	13	2	10	73.5	75			NPT 1/4"	ANSI B1.20.1	POT4.1306.012	277	POT4.1306.013	262
	13	2	10	73.5	74			BSP 3/8"	DIN 3852-2	POT4.1310.112	261	POT4.1310.113	245
	13	2	10	73.5	77.5			NPT 3/8"	ANSI B1.20.1	POT4.1310.012	263	POT4.1310.013	261
	13	2	10	73.5	77.5			Rc 3/8"	EN 10226-2	POT4.1310.042	262	POT4.1310.043	264
	13	2	10	73.5	74			BSP 1/2"	DIN 3852-2	POT4.1313.112	246	POT4.1313.113	231
	13	2	10	73.5	78			NPT 1/2"	ANSI B1.20.1	POT4.1313.012	248	POT4.1313.013	248
	13	2	10	74.5	78			Rc 1/2"	EN 10226-2	POT4.1313.042	252	POT4.1313.043	249
	13	2	10	73.5	74			M16x1.5	DIN 3852-1	POT4.1316.102	263	POT4.1316.103	248
	13	2	10	73.5	74			M18x1.5	DIN 3852-1	POT4.1318.102	256	POT4.1318.103	241
<b>IG 2</b>	13	2	10	72	75			9/16"-18 UNF 2B	SAE J1926-1	POT4.1315.032	260	POT4.1315.033	256
	13	2	10	73.5	75			3/4"-16 UNF 2B	SAE J1926-1	POT4.1319.032	253	POT4.1319.033	240
	13	2	10	74.5	75			M22x1.5	ISO 6149-1	POT4.1322.102	244	POT4.1322.103	235
<b>AG 3</b>	13	2	10	73.5	78	11	12L	M18x1.5	ISO 8434-1-L	POT4.1318.302	231	POT4.1318.303	238
	13	2	10	74.5	78	12	15L	M22x1.5	ISO 8434-1-L	POT4.1322.302	237	POT4.1322.303	238
	13	2	10	74.5	78	12	12S	M20x1.5	ISO 8434-1-S	POT4.1320.402	239	POT4.1320.403	241
<b>AG 8</b>	13	2	10	75	75	13		BSP 1/2"	BS B5200	POT4.1313.702	235	POT4.1313.703	216

## SPARE PARTS SEALS



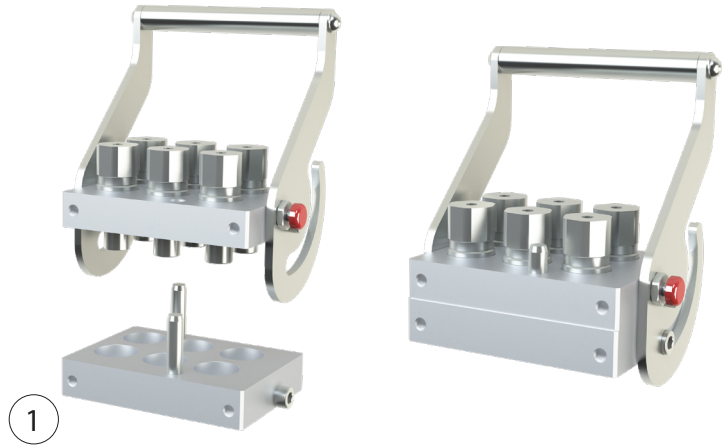
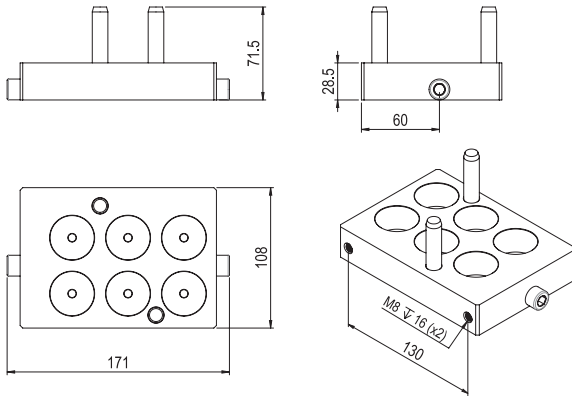
NOMINAL SIZE			MALE GASKET
DNP	BG	ISO	PU(POLYURETHANE)
13	2	10	PLK.013.210

### THREADS

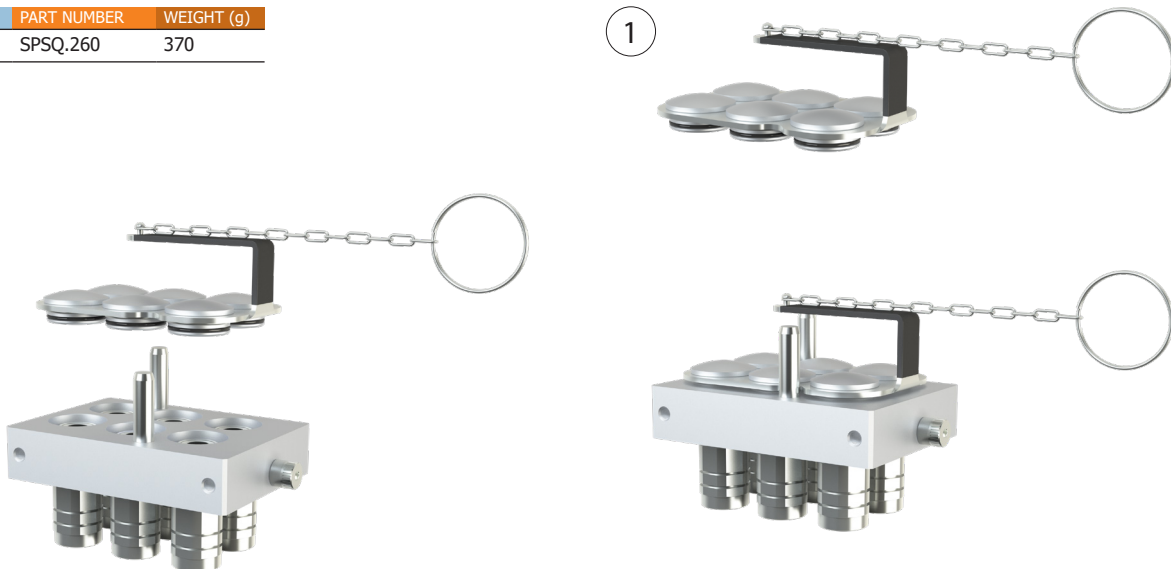


**DOCKING STATION**

POS.	PART NUMBER	WEIGHT (g)
1	PPSQ.260	1100


**PLATE CAP**

POS.	PART NUMBER	WEIGHT (g)
1	SPSQ.260	370





## Technical data

E

- Interchange: Faster PS06
- Occlusion: flat face
- Locking: lever with safety device
- Material: steel and aluminum
- Finishing: Zn-Fe (Cr III), Anodizing
- Threads: BSP-NPT-SAE-METRICS
- Standard seals: NBR and PU
- Working temperature: -25°C+100°C
- Optional seals: FKM, EPDM or more
- Working pressure: 250 bar
- Connection under residual pressure: allowed (male side only)

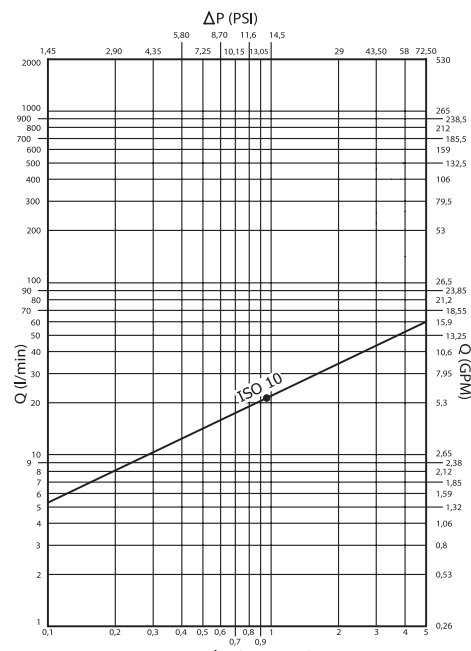
## Technische Merkmale

D

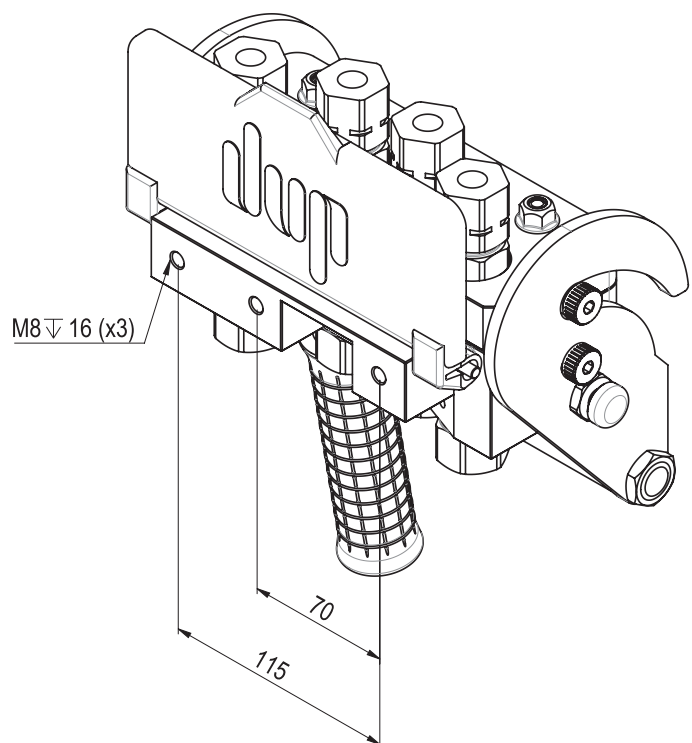
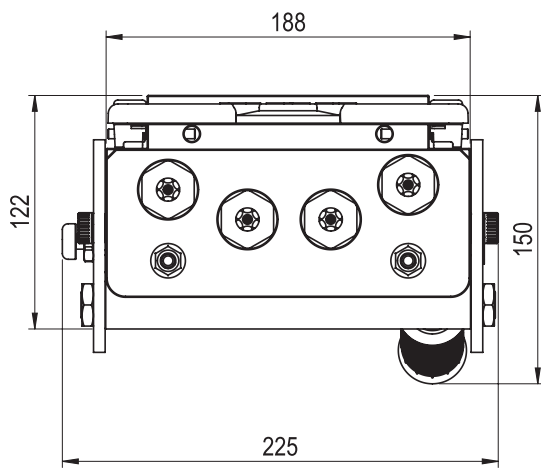
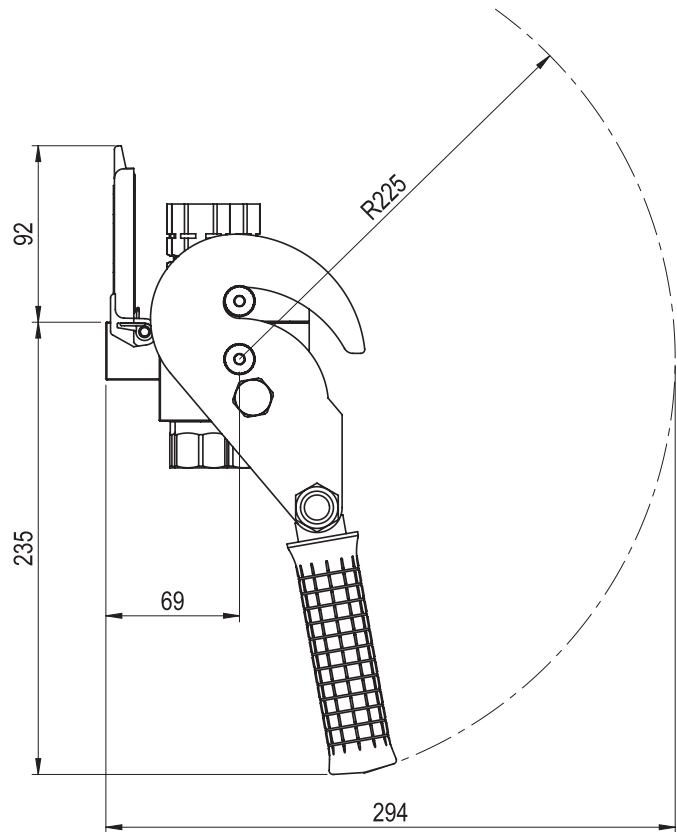
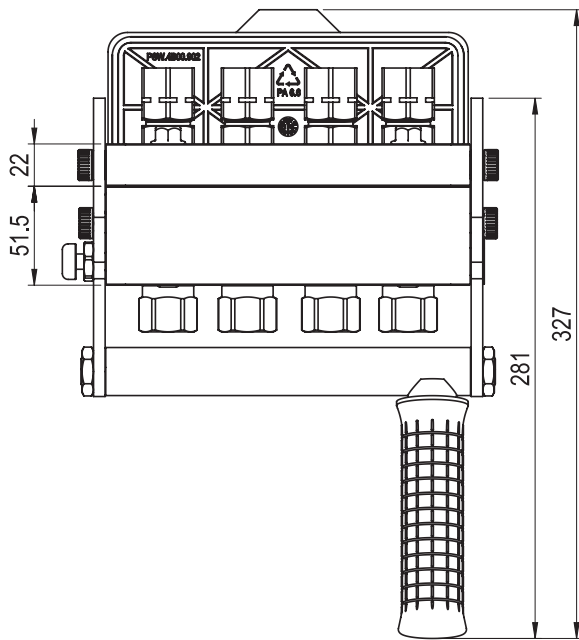
- Austauschbarkeit: Faster PS06
- Verschluss: flachdichtend
- Kupplung: Hebel mit doppelter Sicherung
- Werkstoff: Stahl und Aluminium
- Ausführung: Zn-Fe (Cr III), Eloxiert
- Gewinde: BSP-NPT-SAE-METRISCHE
- Standard-Dichtungen: NBR und PU
- Betriebstemperatur: -25°C+100°C
- Dichtungen nach Wahl: FKM, EPDM, usw.
- Betriebsdruck: 250 bar
- Kuppeln unter Restdruck: erlaubt (nur Steckerseite)

Nominal size				Max working pressure	Rated flow	Max flow rate	Min burst pressure			Fluid spillage
DNP	BG	ISO	Ømm				Male	Female	Coupled	
13	2	10	8.6	25	23	46	120	120	120	0.010

1 MPa = 145.04 psi • 1 l = 0.264 gal



## PSW4 DIMENSION



## PSW4 FIXED



THREADS	DNP	BG	ISO	Housings	No. of Couplings	F	STANDARD	FIXED PART	
								CODE	Weight (g)
<b>IG 1</b>	13	2	10	4	4	BSP 3/8"	DIN 3852-2	PSW4.4CBG.2	4515
	13	2	10	4	4	BSP 1/2"	DIN 3852-2	PSW4.4CCG.2	4450
	13	2	10	4	4	NPT 3/8"	ANSI B1.20.1	PSW4.4CBN.2	4550
	13	2	10	4	4	NPT 1/2"	ANSI B1.20.1	PSW4.4CCN.2	3950
<b>IG 2</b>	13	2	10	4	4	9/16"-18 UNF 2B	SAE J 1926-1	PSW4.4CBU.2	4565
	13	2	10	4	4	3/4"-16 UNF 2B	SAE J 1926-1	PSW4.4CCU.2	4500
<b>AG 3</b>	13	2	10	4	4	M16x1.5-10L	ISO 8434-1-L	PSW4.4CBL.2	4580
	13	2	10	4	4	M18x1.5-12L	ISO 8434-1-L	PSW4.4CCL.2	4555
	13	2	10	4	4	M22x1.5-15L	ISO 8434-1-L	PSW4.4CEL.2	4570
	13	2	10	4	4	M20x1.5-12S	ISO 8434-1-S	PSW4.4CDS.2	4590
<b>AG 4</b>	13	2	10	4	4	M26x1.5-18L	ISO 8434-1-L	PSW4.4CGL.2	4610
<b>AG 4</b>	13	2	10	4	4	13/16"-16 UN	ISO 8434-3	PSW4.4CCO.2	4630



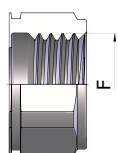
THREADS	DNP	BG	ISO	Housings	No. of Couplings	F	STANDARD	FIXED PART	
								CODE	Weight (g)
<b>IG 1</b>	13	2	10	4	4	BSP 3/8"	DIN 3852-2	PSW4.4CBG.2 SX	4515
	13	2	10	4	4	BSP 1/2"	DIN 3852-2	PSW4.4CCG.2 SX	4450
	13	2	10	4	4	NPT 3/8"	ANSI B1.20.1	PSW4.4CBN.2 SX	4550
	13	2	10	4	4	NPT 1/2"	ANSI B1.20.1	PSW4.4CCN.2 SX	3950
<b>IG 2</b>	13	2	10	4	4	9/16"-18 UNF 2B	SAE J 1926-1	PSW4.4CBU.2 SX	4565
	13	2	10	4	4	3/4"-16 UNF 2B	SAE J 1926-1	PSW4.4CCU.2 SX	4500
<b>AG 3</b>	13	2	10	4	4	M16x1.5-10L	ISO 8434-1-L	PSW4.4CBL.2 SX	4580
	13	2	10	4	4	M18x1.5-12L	ISO 8434-1-L	PSW4.4CCL.2 SX	4555
	13	2	10	4	4	M22x1.5-15L	ISO 8434-1-L	PSW4.4CEL.2 SX	4570
	13	2	10	4	4	M20x1.5-12S	ISO 8434-1-S	PSW4.4CDS.2 SX	4590
<b>AG 4</b>	13	2	10	4	4	M26x1.5-18L	ISO 8434-1-L	PSW4.4CGL.2 SX	4610
<b>AG 4</b>	13	2	10	4	4	13/16"-16 UN	ISO 8434-3	PSW4.4CCO.2 SX	4630

## PSW4 MOBILE

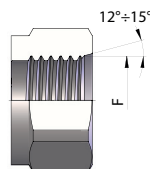


THREADS	DNP	BG	ISO	Housings	No. of Couplings	F	STANDARD	MOBILE PART	
								CODE	Weight (g)
<b>IG 1</b>	13	2	10	4	4	BSP 3/8"	DIN 3852-2	PSW4.4CBG.3	1715
	13	2	10	4	4	BSP 1/2"	DIN 3852-2	PSW4.4CCG.3	1680
	13	2	10	4	4	NPT 3/8"	ANSI B1.20.1	PSW4.4CBN.3	1895
	13	2	10	4	4	NPT 1/2"	ANSI B1.20.1	PSW4.4CCN.3	1830
<b>IG 2</b>	13	2	10	4	4	9/16"-18 UNF 2B	SAE J 1926-1	PSW4.4CBU.3	1820
	13	2	10	4	4	3/4"-16 UNF 2B	SAE J 1926-1	PSW4.4CCU.3	1790
<b>AG 3</b>	13	2	10	4	4	M16x1.5-10L	ISO 8434-1-L	PSW4.4CBL.3	1615
	13	2	10	4	4	M18x1.5-12L	ISO 8434-1-L	PSW4.4CCL.3	1620
	13	2	10	4	2	M22x1.5-15L	ISO 8434-1-L	PSW4.2CEL.3	1300
	13	2	10	4	4	M22x1.5-15L	ISO 8434-1-L	PSW4.4CEL.3	1640
<b>AG 3</b>	13	2	10	4	4	M20x1.5-12S	ISO 8434-1-S	PSW4.4CDS.3	1700
<b>AG 3</b>	13	2	10	4	4	M26x1.5-18L	ISO 8434-1-L	PSW4.4CGL.3	1655
<b>AG 4</b>	13	2	10	4	4	13/16"-16 UN	ISO 8434-3	PSW4.4CCO.3	1675

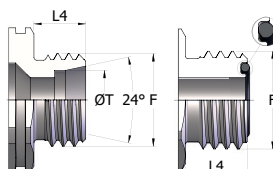
THREADS



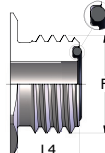
IG 1



IG 2



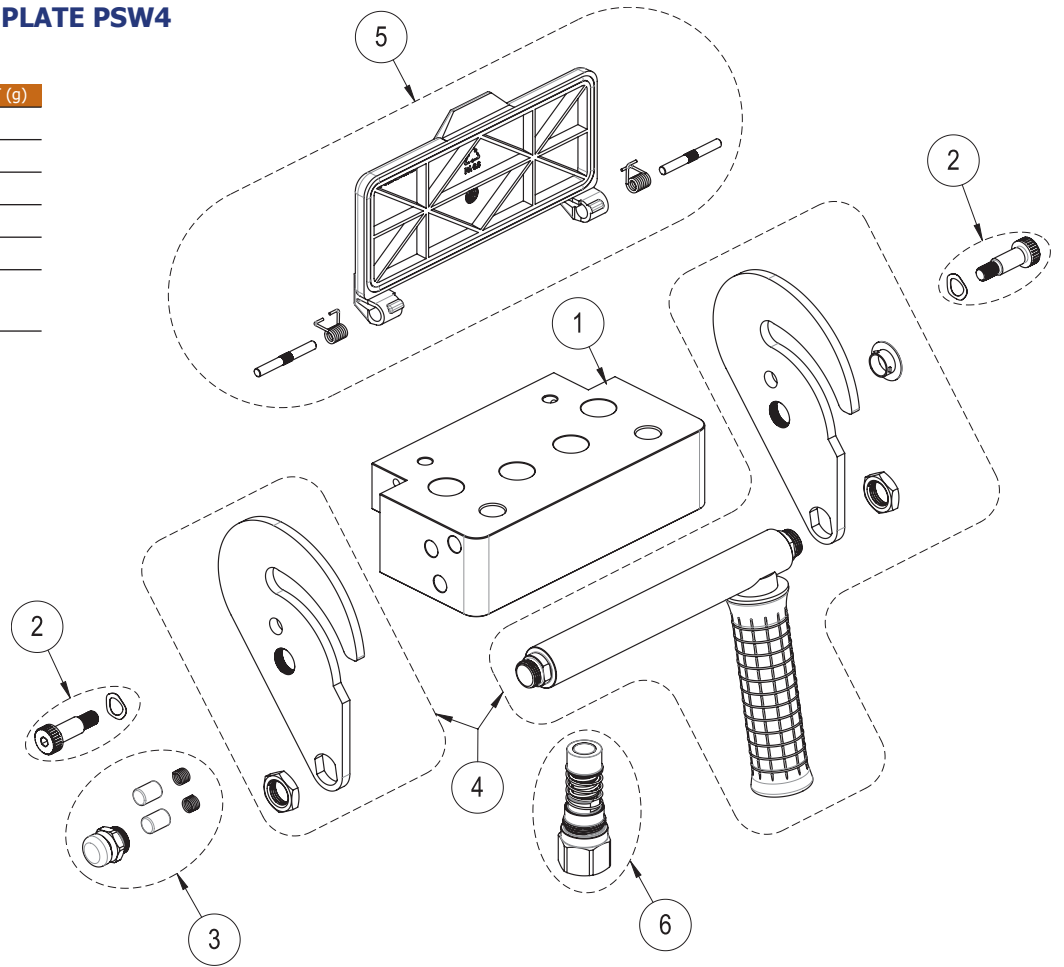
AG 3



AG 4

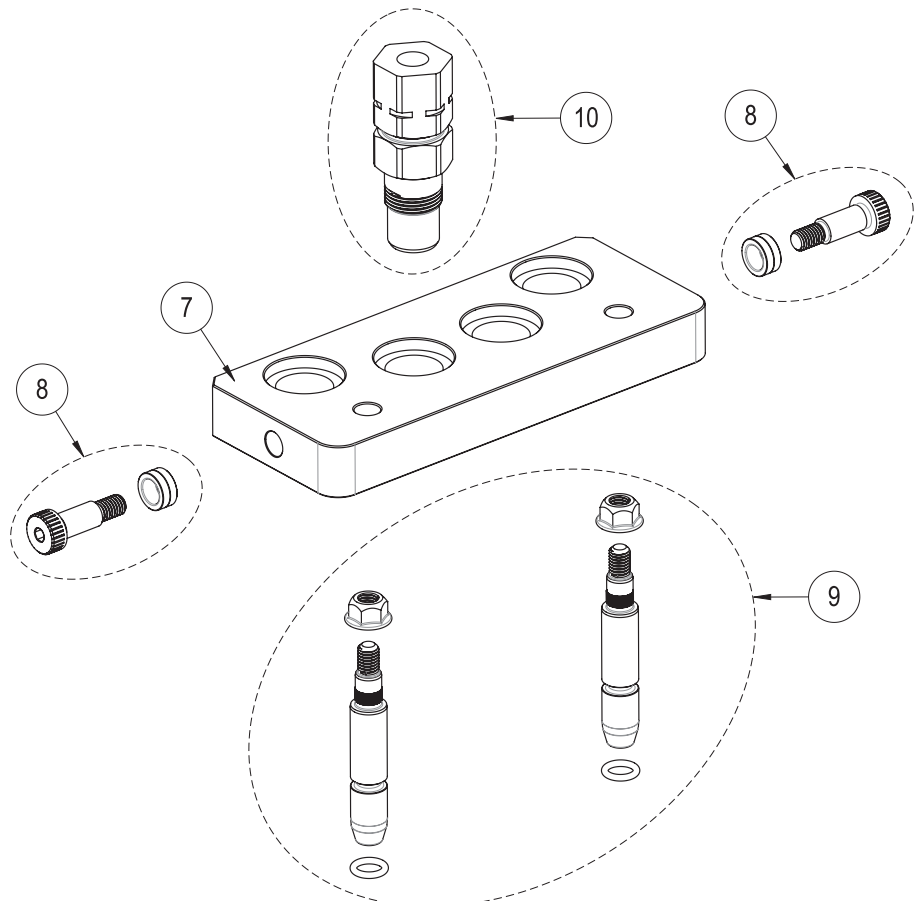
## SPARE PARTS FIXED PLATE PSW4

POS.	PART NUMBER	WEIGHT (g)
1	PSW.4B00.202	1834
2	PSQ.KIT.011	51
3	PSQ.KIT.050	33
4	PSW.KIT.042	960
5	PSW.KIT.4902	156
6	SEE SPARE PARTS ISO 10	

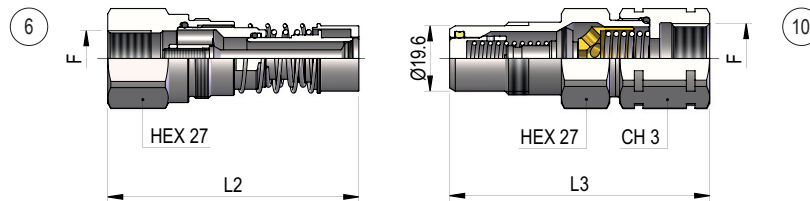


## SPARE PARTS MOBILE PLATE PSW4

POS.	PART NUMBER	WEIGHT (g)
7	PSW.4B00.203	728
8	PSF.KIT.020	61
9	PSF.KIT.017	169
10	SEE SPARE PARTS ISO 10	

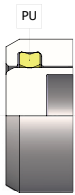


## SPARE PARTS ISO 10 COUPLINGS



THREADS	DNP	BG	ISO	L2	CH 3	L3	L4	ØT	F	STANDARD	SPARE PARTS			
											FEMALE - MUFFE		MALE - STECKER	
											COD. F	Weight (g)	COD. M	Weight (g)
<b>IG 1</b>	13	2	10	75.3	27	78			BSP 3/8"	DIN 3852-2	POF4.1310.112 R	150	POF4.1310.113	188
	13	2	10	75.3	27	78			BSP 1/2"	DIN 3852-2	POF4.1313.112 R	135	POF4.1313.113	179
	13	2	10	75.3	30	81			NPT 3/8"	ANSI B1.20.1	POF4.1310.012 R	160	POF4.1310.013	233
	13	2	10	79.3	30	81			NPT 1/2"	ANSI B1.20.1	POF4.1313.012 R	157	POF4.1313.013	217
<b>IG 2</b>	13	2	10	75.4	30	78			9/16"-18 UNF 2B	SAE J 1926-1	POF4.1315.032 R	162	POF4.1315.033	214
	13	2	10	75.3	30	78			3/4"-16 UNF 2B	SAE J 1926-1	POF4.1319.032 R	147	POF4.1319.033	206
<b>AG 3</b>	13	2	10	83.3	27	76	11	10L	M16x1.5	ISO 8434-1-L	POF4.1316.302 R	160	POF4.1316.303	163
	13	2	10	83.3	27	76	11	12L	M18x1.5	ISO 8434-1-L	POF4.1318.302 R	160	POF4.1318.303	164
	13	2	10	84.3	27	77	12	15L	M22x1.5	ISO 8434-1-L	POF4.1322.302 R	165	POF4.1322.303	169
	13	2	10	84.3	30	77	12	12S	M20x1.5	ISO 8434-1-S	POF4.1320.402 R	170	POF4.1320.403	184
	13	2	10	84.3	27	77	12	18L	M26x1.5	ISO 8434-1-L	POF4.1326.302 R	162	POF4.1326.303	173
<b>AG 4</b>	13	2	10	85.3	27	78	13		13/16"-16 UN	ISO 8434-3	POF4.1321.432 R	170	POF4.1321.433	178

## SPARE PARTS SEALS



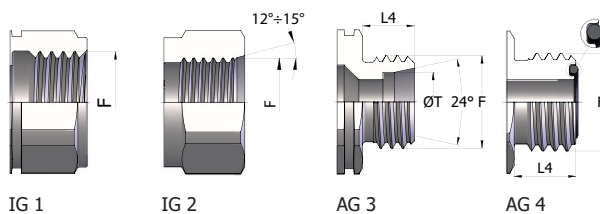
NOMINAL SIZE			MALE GASKET
DNP	BG	ISO	PU (POLYURETHANE)
13	2	10	PLK.013.210

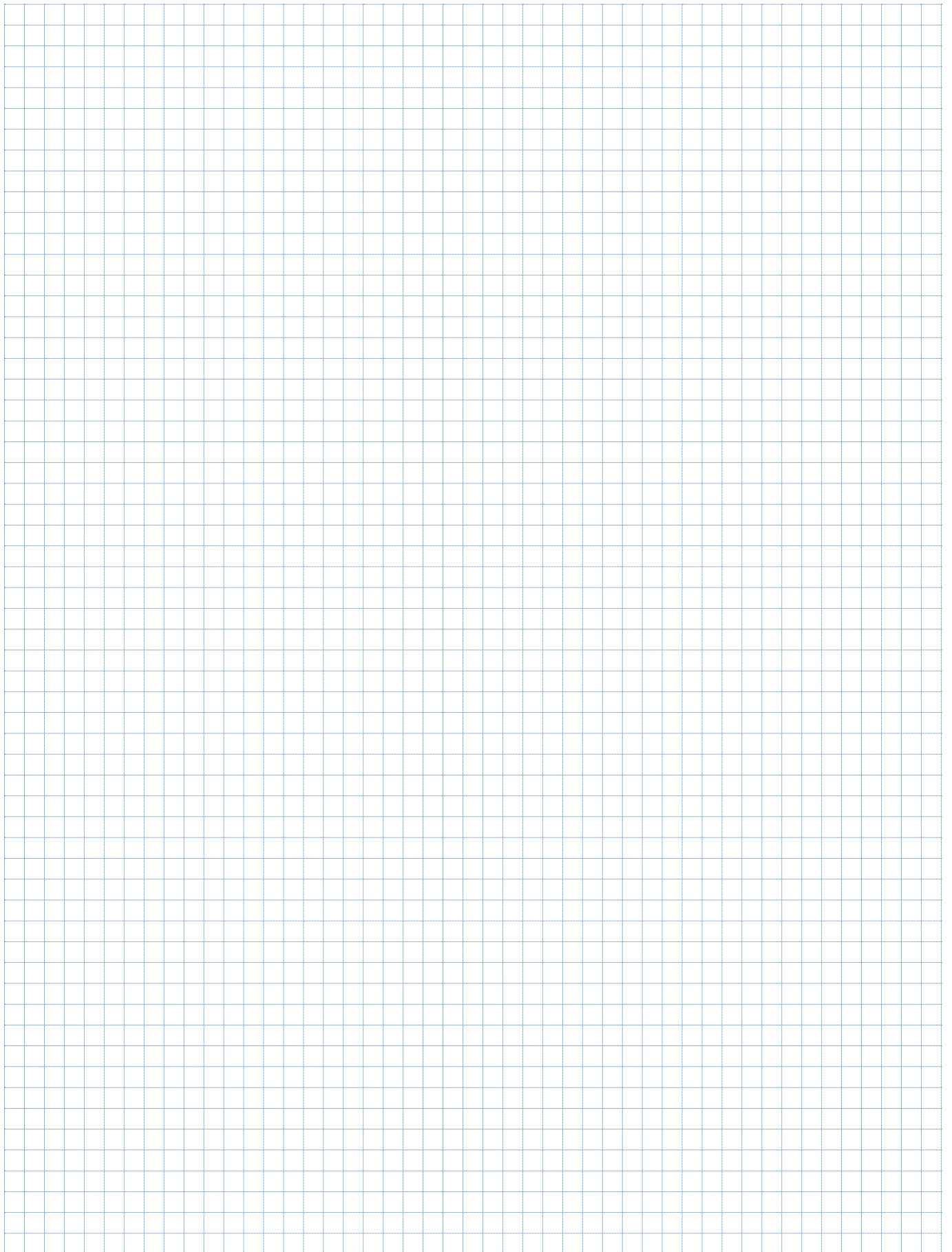
## PLUGS



NOMINAL SIZE			PART NUMBER	COLOR	MATERIAL
DNP	BG	ISO			
13	2	10	TPOF13	●	PVC

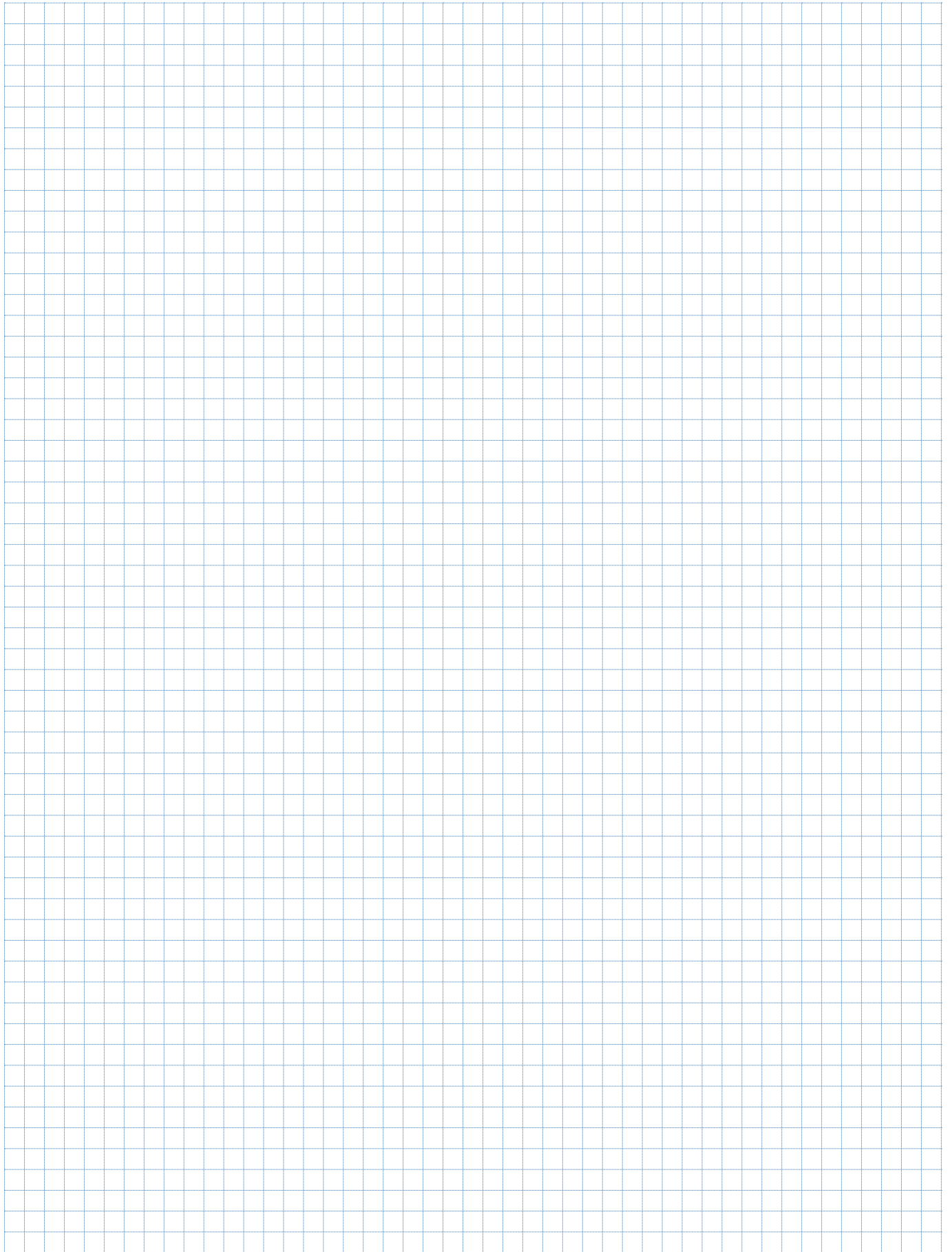
## THREADS





## NOTES





Technical data of this catalogue are indicative and we reserve the right to change above specifications without notice.

Technische Angaben, müssen als rein indikativ betrachtet werden, Änderungen behalten wir uns ohne Ankündigung vor.



CAT. MC 01 03/2024