

FLAT FACE/STAINLESS/BOP

VITE VALVOLA PIANA/ACCIAIO INOX

FLAT FACE SCREW COUPLINGS/STAINLESS STEEL

FLACHDICHTENDE SCHRAUBKUPPLUNGEN/
EDELSTAHL

COUPLEURS FACE PLANE À VISSER/ACIER INOX

Technical data

E

- Interchange: exclusive Dnp profile
- Approval: API 16D
- Occlusion: flat face
- Locking: screw
- Material: internals in steel, externals in stainless AISI 316
- Threads: BSP - NPT - SAE
- Standard seals: special compound
- Working temperature: -25 °C +200 °C
- Working pressure: 250 bar
- Connection under residual pressure: allowed (both male or female side)

PVTX BOP DN25 - ISO 19 (p.46)

*ASSEMBLY ISTRUCTIONS: SEE PVTX



FEMALE: GENERAL ASSEMBLY INSTRUCTIONS

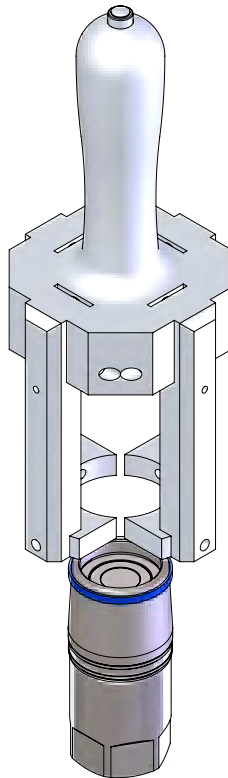
STEP 1:
INSERT THE
CONE



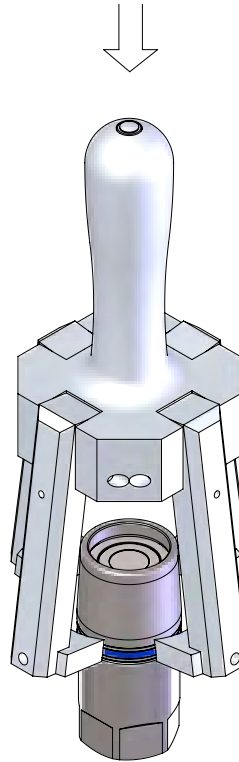
STEP 2:
INSERT THE
COLOR BAND



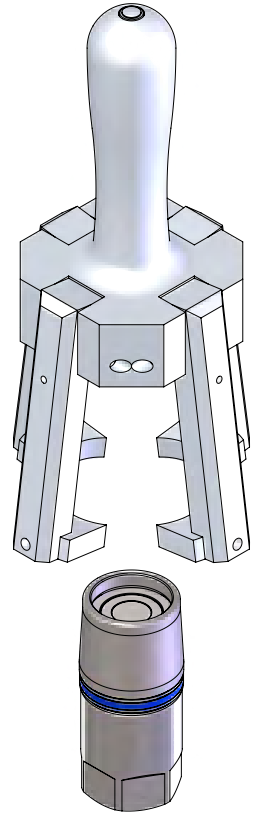
STEP 3:
PUSH THE BAND
INTO THE SEAT



STEP 4:
PUSH THE BUTTON AND PULL
OUT THE MANUAL TOOL

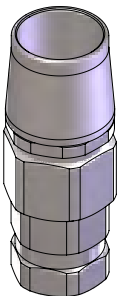


STEP 5:
RELEASE THE BUTTON AND REPEAT THE
SEQUENCE FROM STEP 1 ON A NEW
COUPLING

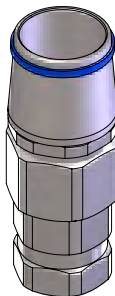


MALE: GENERAL ASSEMBLY INSTRUCTIONS

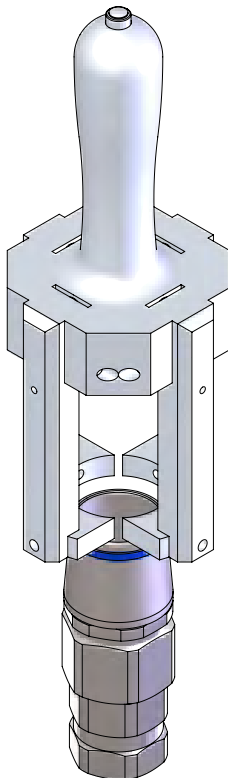
STEP 1:
INSERT THE
CONE



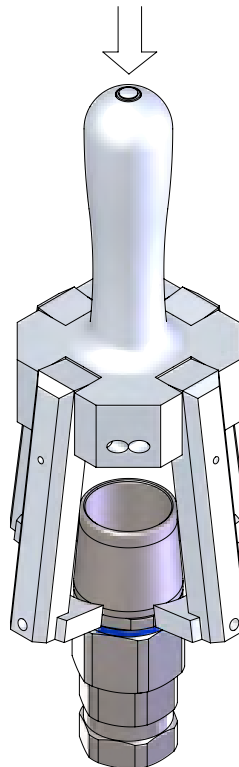
STEP 2:
INSERT THE
COLOR BAND



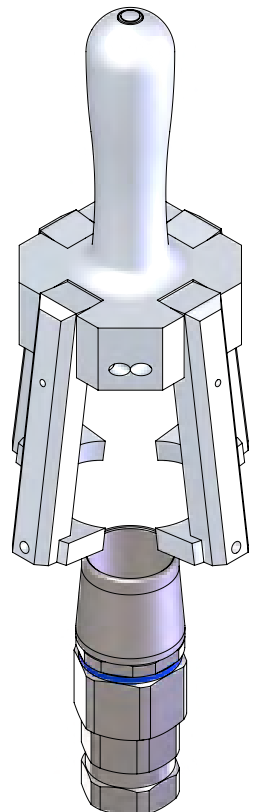
STEP 3:
PUSH THE BAND
INTO THE SEAT



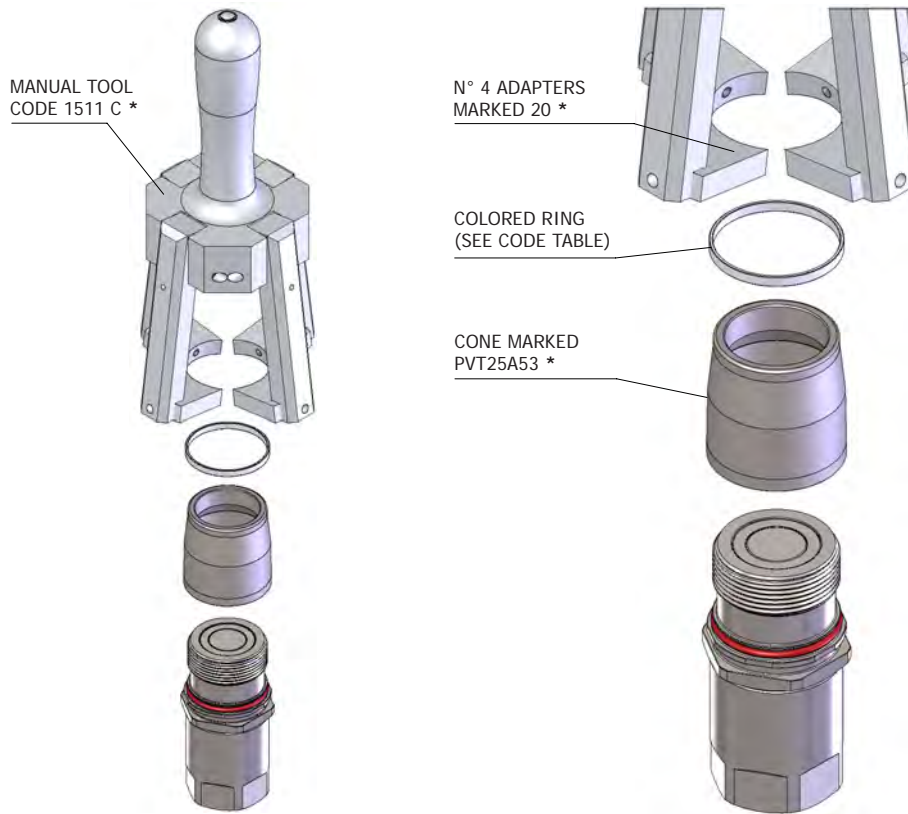
STEP 4:
PUSH THE BUTTON AND PULL
OUT THE MANUAL TOOL



STEP 5:
RELEASE THE BUTTON AND REPEAT THE
SEQUENCE FROM STEP 1 ON A NEW
COUPLING



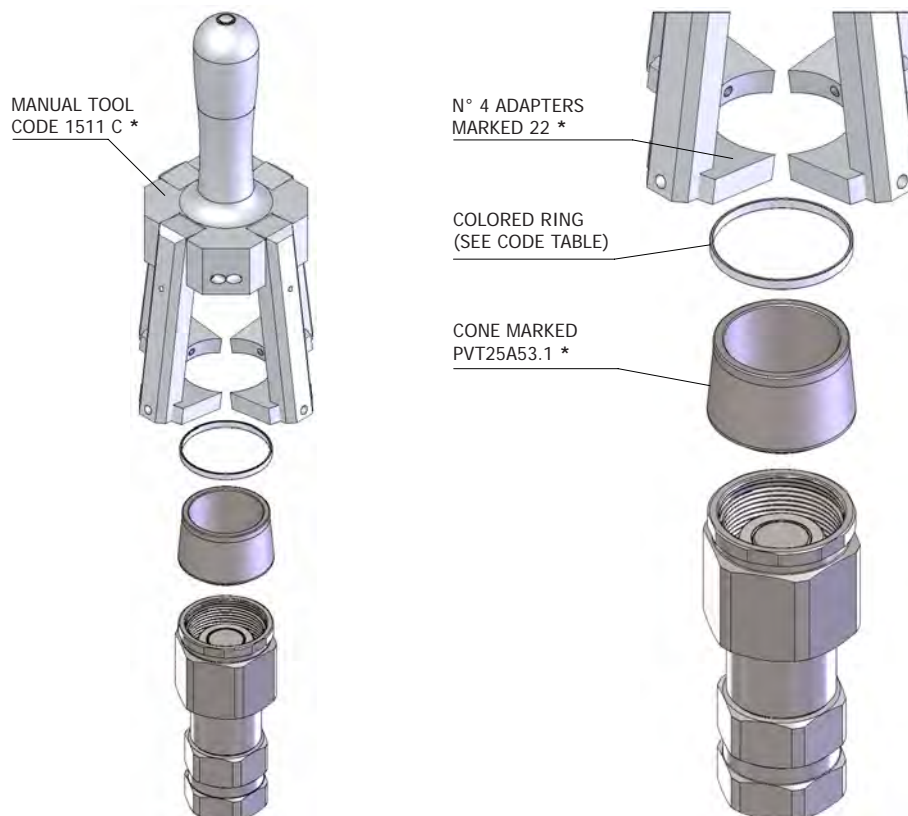
FEMALE: ASSEMBLY INSTRUCTIONS OF COLORED RINGS/PART NUMBERS



| PVTX DN25 - ISO 19 | | |
|--------------------|-------|----------|
| CODE | COLOR | MATERIAL |
| PST.019.905 | | TEE |
| PST.019.915 | | TEE |
| PST.019.925 | | TEE |
| PST.019.935 | | TEE |
| PST.019.945 | | TEE |
| PST.019.955 | | TEE |
| PST.019.965 | | TEE |
| PST.019.975 | | TEE |
| PST.019.985 | | TEE |
| PST.019.995 | | TEE |

* OPTIONAL

MALE: ASSEMBLY INSTRUCTIONS OF COLORED RINGS/PART NUMBERS



| PVTX DN25 - ISO 19 | | |
|--------------------|-------|----------|
| CODE | COLOR | MATERIAL |
| PST.022.905 | | TEE |
| PST.022.915 | | TEE |
| PST.022.925 | | TEE |
| PST.022.935 | | TEE |
| PST.022.945 | | TEE |
| PST.022.955 | | TEE |
| PST.022.965 | | TEE |
| PST.022.975 | | TEE |
| PST.022.985 | | TEE |
| PST.022.995 | | TEE |

* OPTIONAL