

## FLAT FACE/SCREW/FLANGED

VITE VALVOLA PIANA FLANGIATO

FLANGED FLAT FACE SCREW COUPLINGS

GEFLANSCHTE FLACHDICHTENDE  
SCHRAUBKUPPLUNGEN

COUPLEURS FACE PLANE À VISSER BRIDÉS

**PVTF DN20 - ISO 12.5** (p.33)

**PVTF DN22 - ISO 16** (p.34)

**PVTF DN25 - ISO 19** (p.35)

**PVTF DN30 - ISO 25** (p.36)

**PVTF DN35 - ISO 31.5** (p.37)

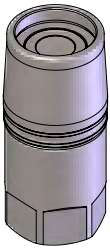
**PVTF DN39 - ISO 40** (p.38)

\*ASSEMBLY ISTRUCTIONS: SEE PVT4



## FEMALE: GENERAL ASSEMBLY INSTRUCTIONS

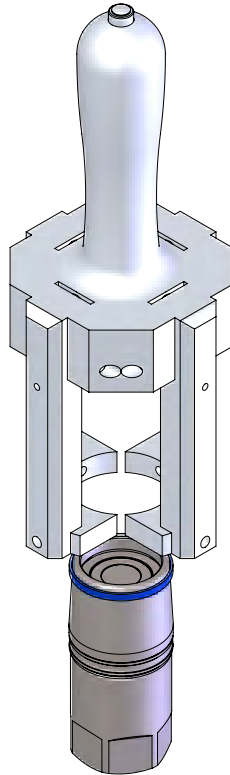
STEP 1:  
INSERT THE  
CONE



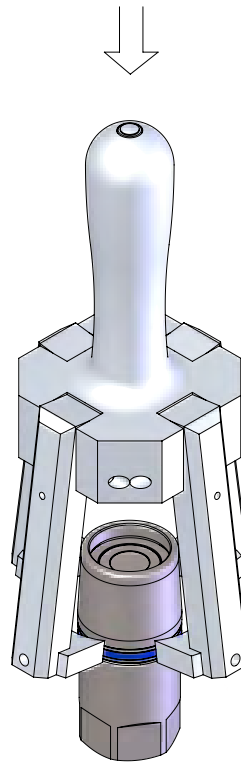
STEP 2:  
INSERT THE  
COLOR BAND



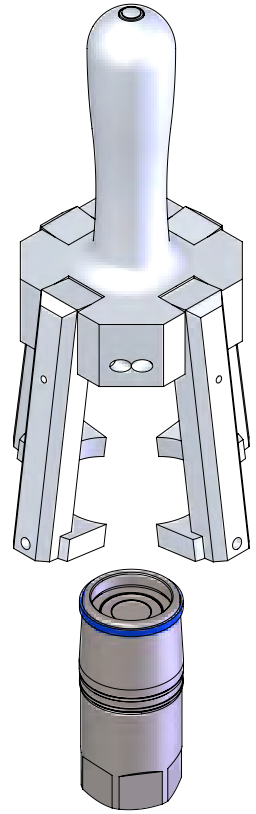
STEP 3:  
PUSH THE BAND  
INTO THE SEAT



STEP 4:  
PUSH THE BUTTON AND PULL  
OUT THE MANUAL TOOL

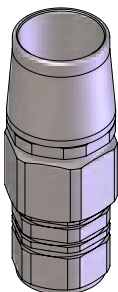


STEP 5:  
RELEASE THE BUTTON AND REPEAT THE  
SEQUENCE FROM STEP 1 ON A NEW  
COUPLING

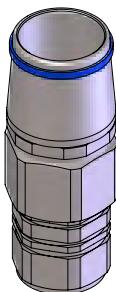


## MALE: GENERAL ASSEMBLY INSTRUCTIONS

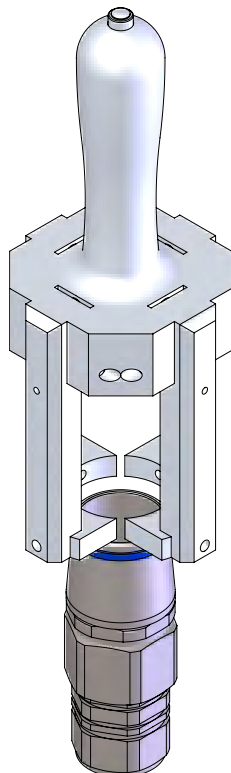
STEP 1:  
INSERT THE  
CONE



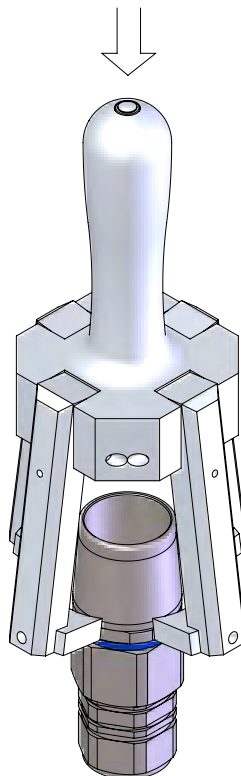
STEP 2:  
INSERT THE  
COLOR BAND



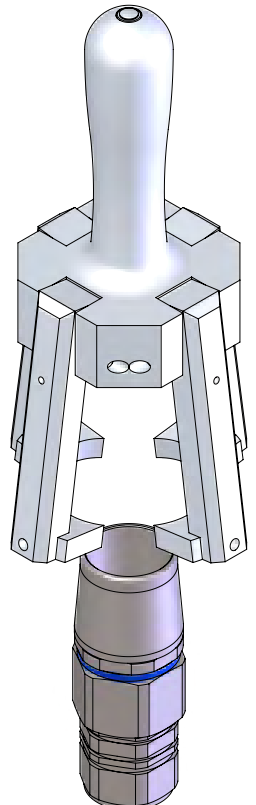
STEP 3:  
PUSH THE BAND  
INTO THE SEAT



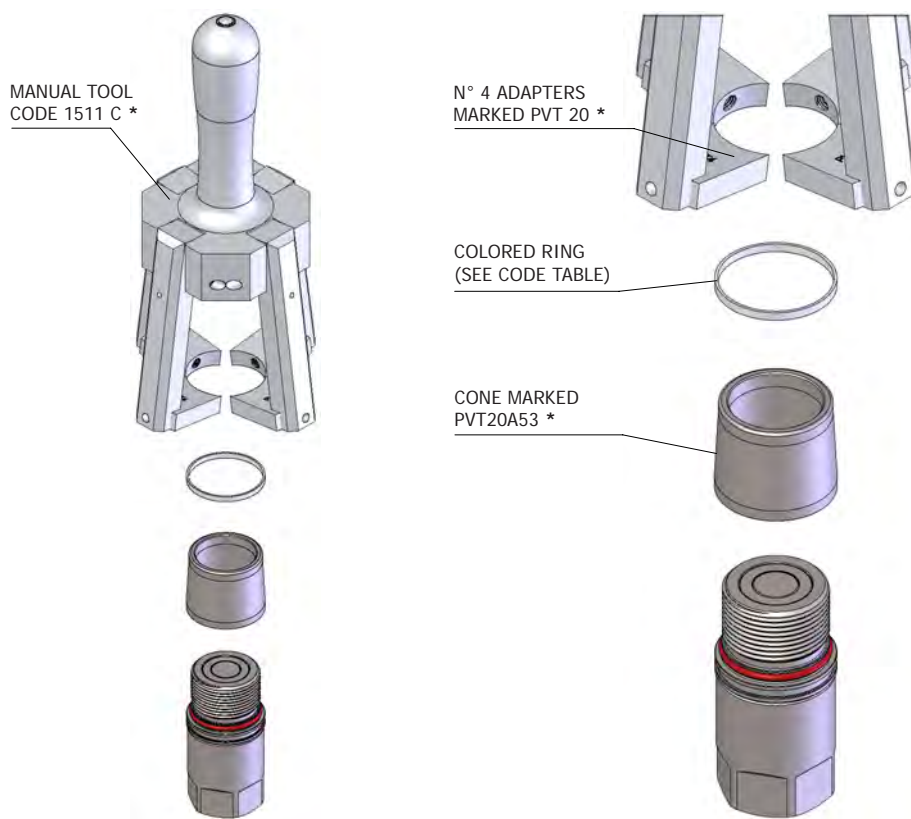
STEP 4:  
PUSH THE BUTTON AND PULL  
OUT THE MANUAL TOOL



STEP 5:  
RELEASE THE BUTTON AND REPEAT THE  
SEQUENCE FROM STEP 1 ON A NEW  
COUPLING



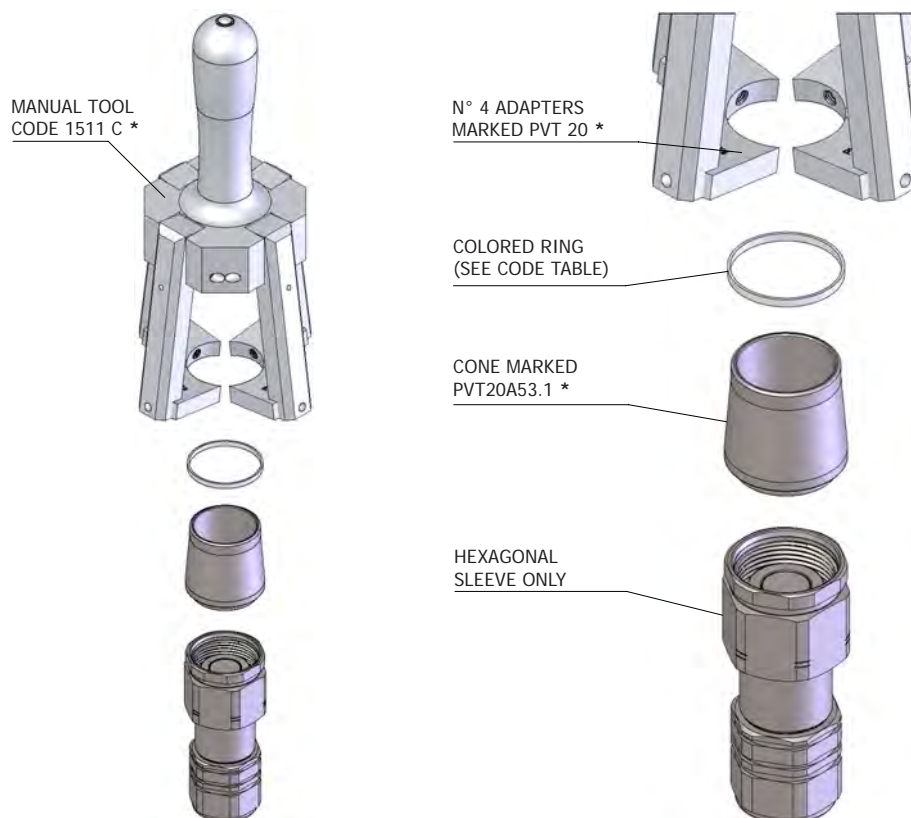
## FEMALE: ASSEMBLY INSTRUCTIONS OF COLORED RINGS/PART NUMBERS



PVT4 DN20 - ISO 12.5		
CODE	COLOR	MATERIAL
PVT.019.905		TEE
PVT.019.915		TEE
PVT.019.925		TEE
PVT.019.935		TEE
PVT.019.945		TEE
PVT.019.955		TEE
PVT.019.965		TEE
PVT.019.975		TEE
PVT.019.985		TEE
PVT.019.995		TEE

\* OPTIONAL

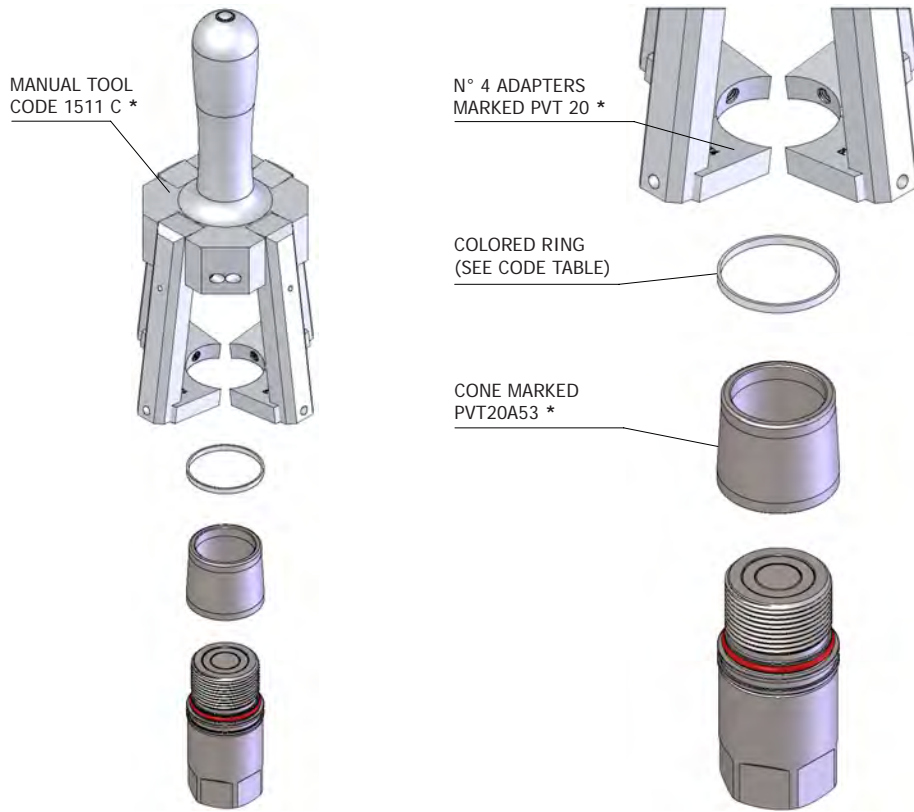
## MALE: ASSEMBLY INSTRUCTIONS OF COLORED RINGS/PART NUMBERS



PVT4 DN20 - ISO 12.5		
CODE	COLOR	MATERIAL
PVT.019.905		TEE
PVT.019.915		TEE
PVT.019.925		TEE
PVT.019.935		TEE
PVT.019.945		TEE
PVT.019.955		TEE
PVT.019.965		TEE
PVT.019.975		TEE
PVT.019.985		TEE
PVT.019.995		TEE

\* OPTIONAL

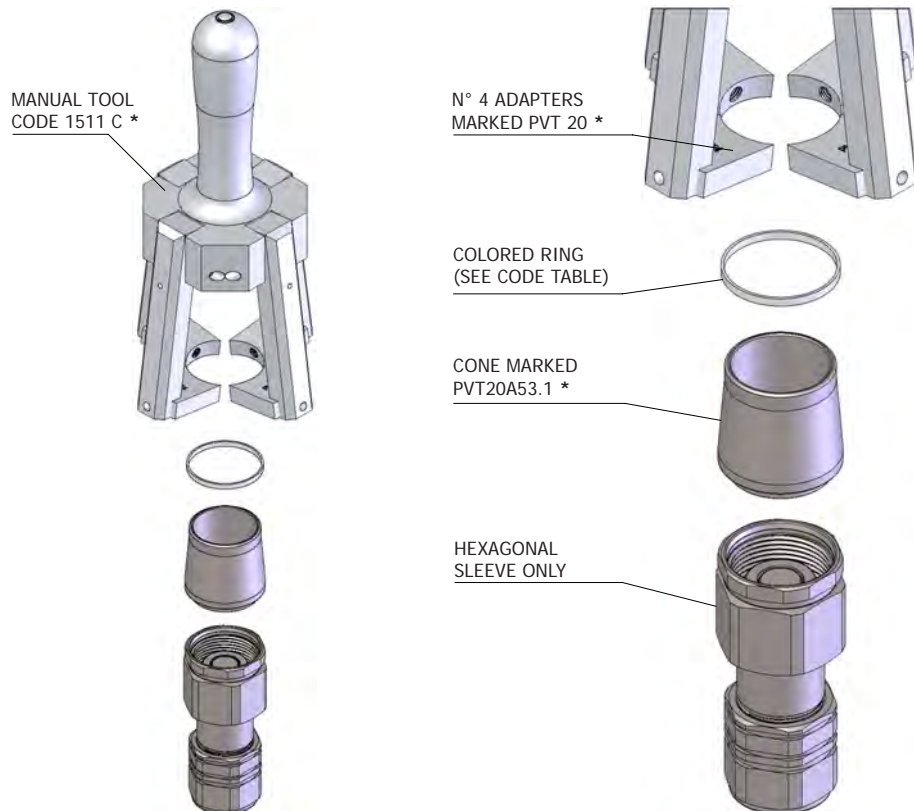
## FEMALE: ASSEMBLY INSTRUCTIONS OF COLORED RINGS/PART NUMBERS



PVT4 DN22 - ISO 16		
CODE	COLOR	MATERIAL
PVT.019.905		TEE
PVT.019.915		TEE
PVT.019.925		TEE
PVT.019.935		TEE
PVT.019.945		TEE
PVT.019.955		TEE
PVT.019.965		TEE
PVT.019.975		TEE
PVT.019.985		TEE
PVT.019.995		TEE

\* OPTIONAL

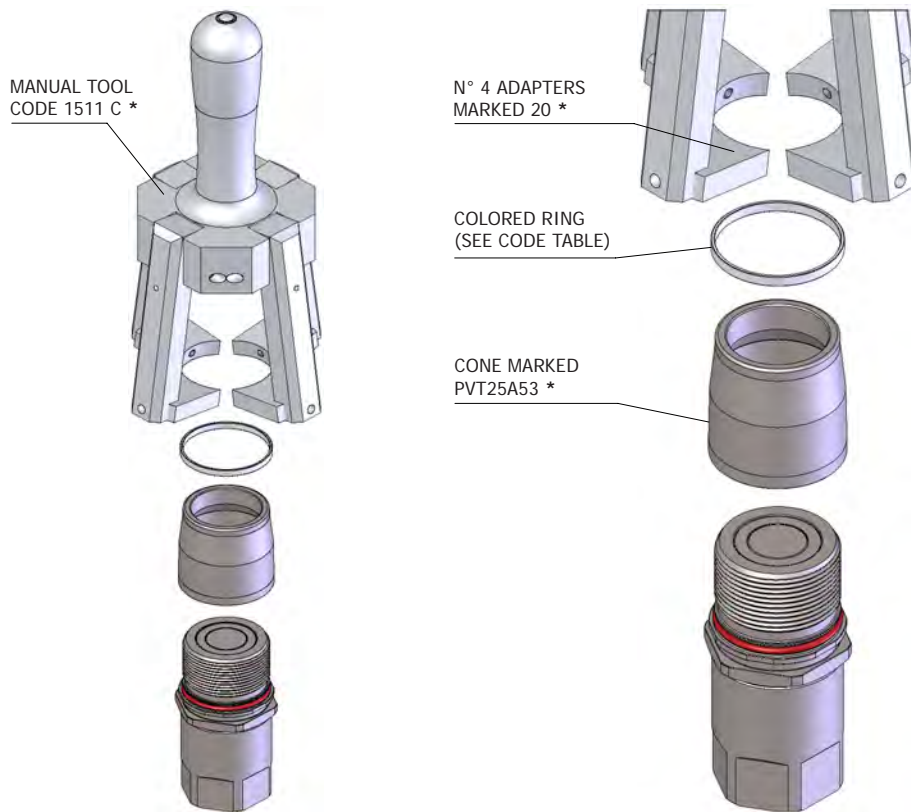
## MALE: ASSEMBLY INSTRUCTIONS OF COLORED RINGS/PART NUMBERS



PVT4 DN22 - ISO 16		
CODE	COLOR	MATERIAL
PVT.019.905		TEE
PVT.019.915		TEE
PVT.019.925		TEE
PVT.019.935		TEE
PVT.019.945		TEE
PVT.019.955		TEE
PVT.019.965		TEE
PVT.019.975		TEE
PVT.019.985		TEE
PVT.019.995		TEE

\* OPTIONAL

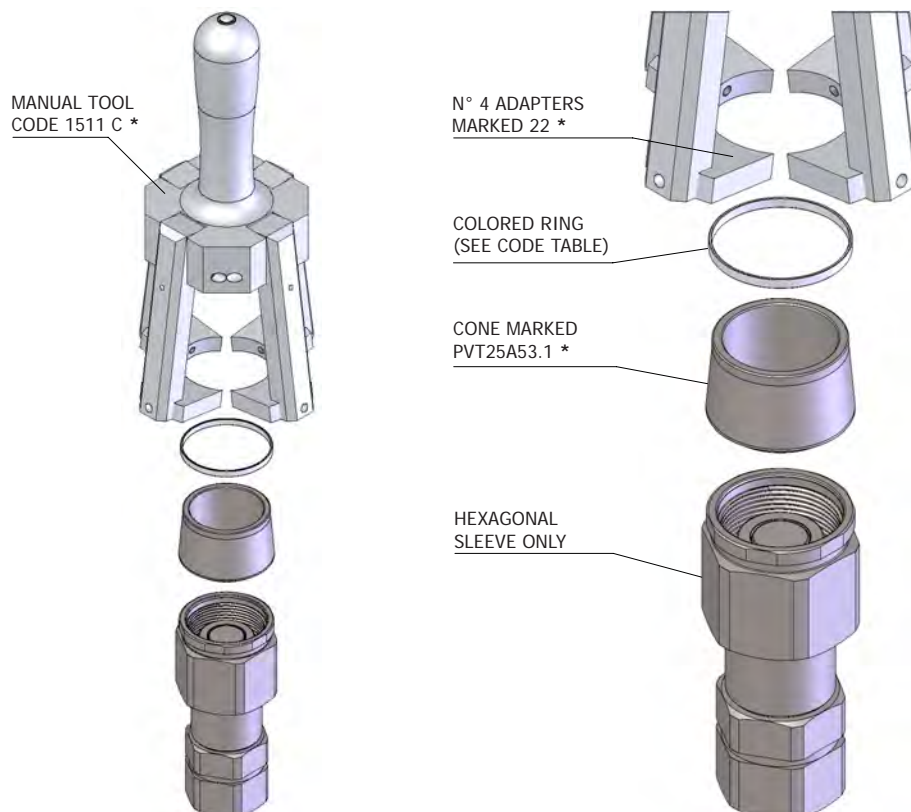
## FEMALE: ASSEMBLY INSTRUCTIONS OF COLORED RINGS AND PART NUMBERS



PVT4 DN25 - ISO 19		
CODE	COLOR	MATERIAL
PST.019.905		TEE
PST.019.915		TEE
PST.019.925		TEE
PST.019.935		TEE
PST.019.945		TEE
PST.019.955		TEE
PST.019.965		TEE
PST.019.975		TEE
PST.019.985		TEE
PST.019.995		TEE

\* OPTIONAL

## MALE: ASSEMBLY INSTRUCTIONS OF COLORED RINGS/PART NUMBERS

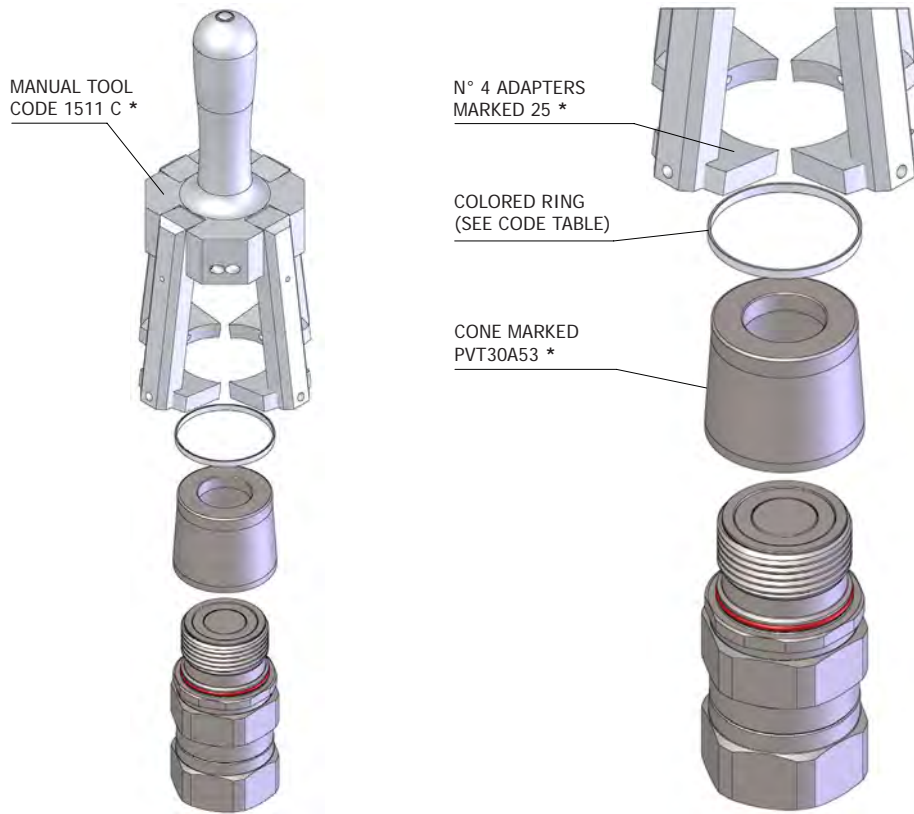


PVT4 DN25 - ISO 19		
CODE	COLOR	MATERIAL
PST.022.905		TEE
PST.022.915		TEE
PST.022.925		TEE
PST.022.935		TEE
PST.022.945		TEE
PST.022.955		TEE
PST.022.965		TEE
PST.022.975		TEE
PST.022.985		TEE
PST.022.995		TEE

\* OPTIONAL



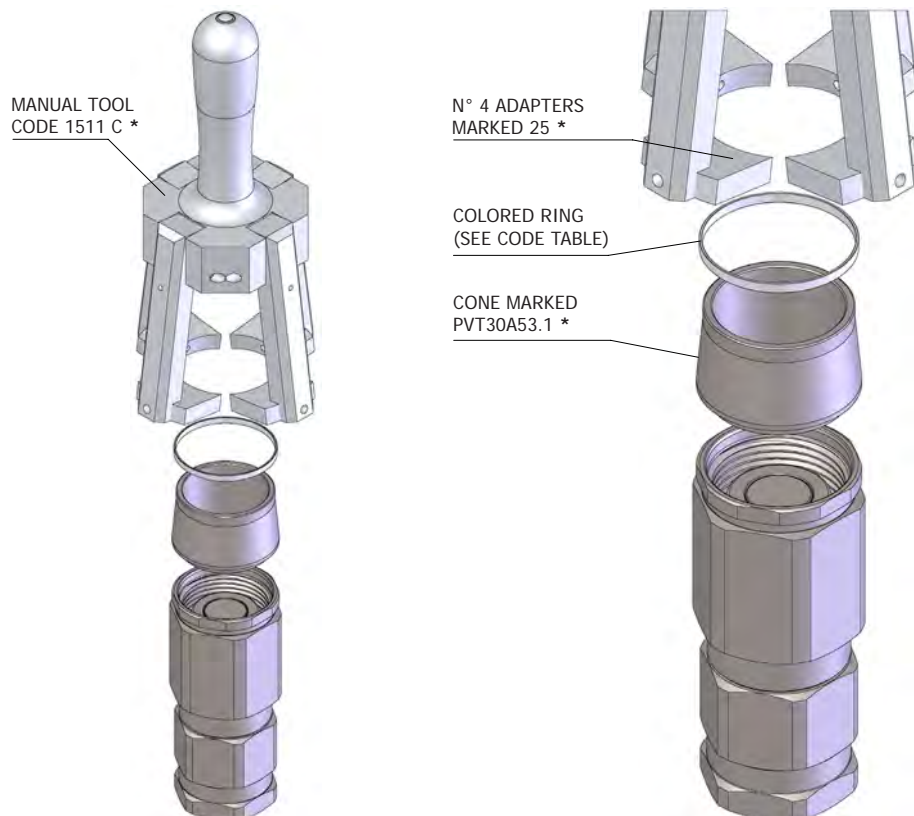
## FEMALE: ASSEMBLY INSTRUCTIONS OF COLORED RINGS/PART NUMBERS



PVT4 DN30 - ISO 25		
CODE	COLOR	MATERIAL
PST.025.905		TEE
PST.025.915		TEE
PST.025.925		TEE
PST.025.935		TEE
PST.025.945		TEE
PST.025.955		TEE
PST.025.965		TEE
PST.025.975		TEE
PST.025.985		TEE
PST.025.995		TEE

\* OPTIONAL

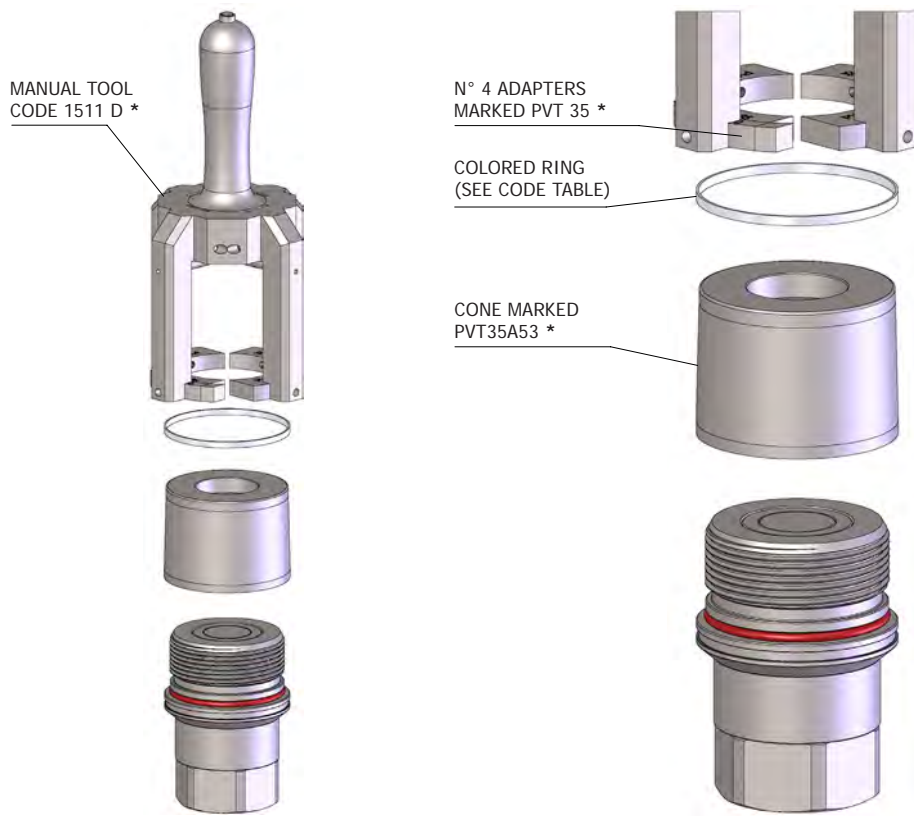
## MALE: ASSEMBLY INSTRUCTIONS OF COLORED RINGS/PART NUMBERS



PVT4 DN30 - ISO 25		
CODE	COLOR	MATERIAL
PST.025.905		TEE
PST.025.915		TEE
PST.025.925		TEE
PST.025.935		TEE
PST.025.945		TEE
PST.025.955		TEE
PST.025.965		TEE
PST.025.975		TEE
PST.025.985		TEE
PST.025.995		TEE

\* OPTIONAL

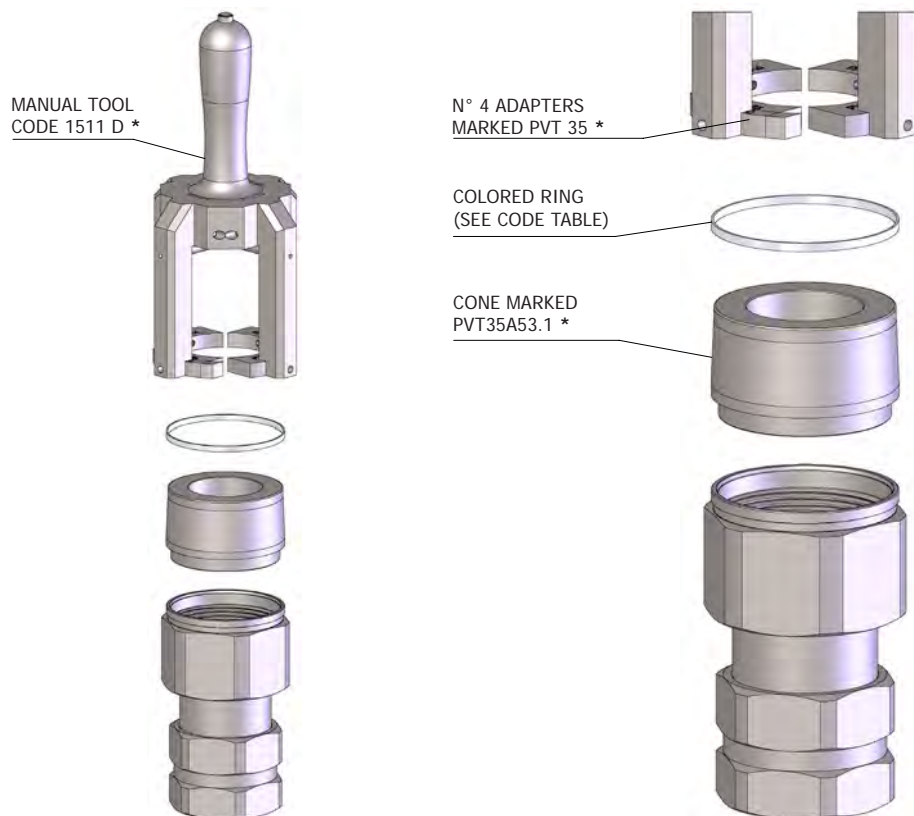
## FEMALE: ASSEMBLY INSTRUCTIONS OF COLORED RINGS/PART NUMBERS



PVT4 DN35 - ISO 31.5		
CODE	COLOR	MATERIAL
PVT.035.905		TEE
PVT.035.915		TEE
PVT.035.925		TEE
PVT.035.935		TEE
PVT.035.945		TEE
PVT.035.955		TEE
PVT.035.965		TEE
PVT.035.975		TEE
PVT.035.985		TEE
PVT.035.995		TEE

\* OPTIONAL

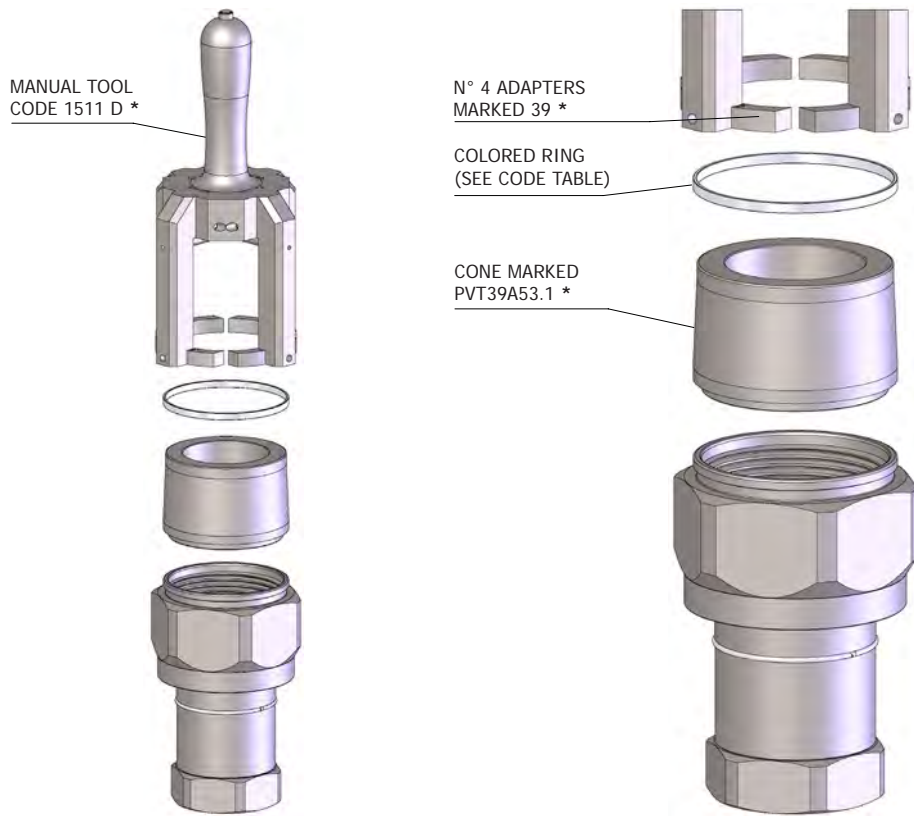
## MALE: ASSEMBLY INSTRUCTIONS OF COLORED RINGS/PART NUMBERS



PVT4 DN35 - ISO 31.5		
CODE	COLOR	MATERIAL
PVT.035.905		TEE
PVT.035.915		TEE
PVT.035.925		TEE
PVT.035.935		TEE
PVT.035.945		TEE
PVT.035.955		TEE
PVT.035.965		TEE
PVT.035.975		TEE
PVT.035.985		TEE
PVT.035.995		TEE

\* OPTIONAL

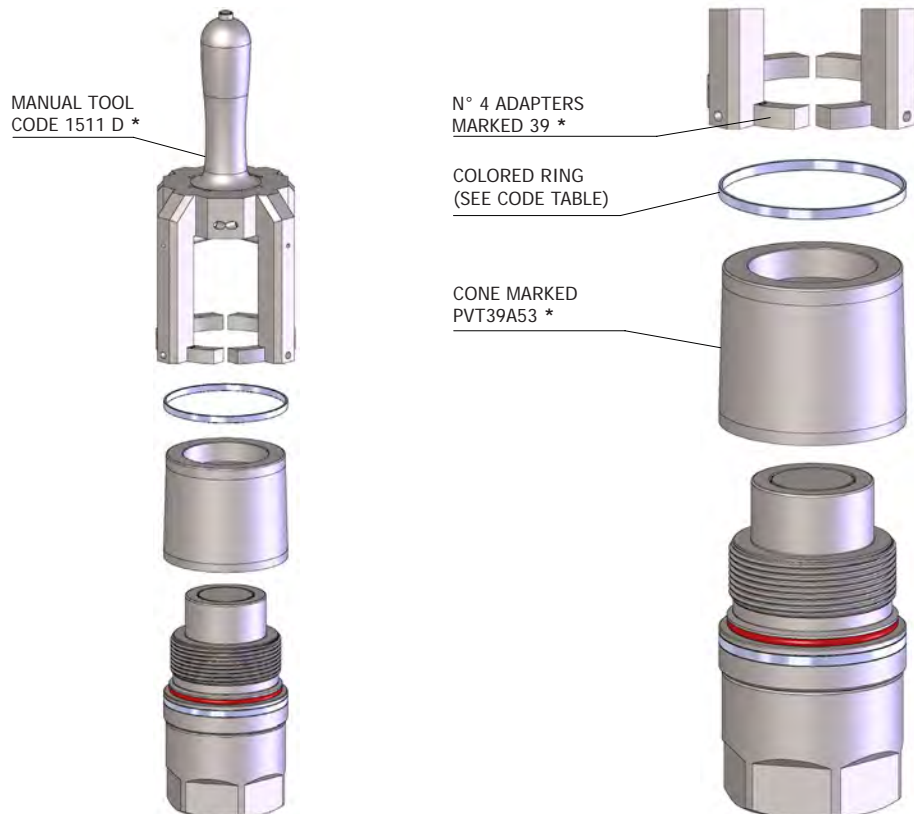
## FEMALE: ASSEMBLY INSTRUCTIONS OF COLORED RINGS/PART NUMBERS



PVT4 DN39 - ISO 40		
CODE	COLOR	MATERIAL
PST.039.905		TEE
PST.039.915		TEE
PST.039.925		TEE
PST.039.935		TEE
PST.039.945		TEE
PST.039.955		TEE
PST.039.965		TEE
PST.039.975		TEE
PST.039.985		TEE
PST.039.985		TEE

\* OPTIONAL

## MALE: ASSEMBLY INSTRUCTIONS OF COLORED RINGS/PART NUMBERS



PVT4 DN39 - ISO 40		
CODE	COLOR	MATERIAL
PST.039.905		TEE
PST.039.915		TEE
PST.039.925		TEE
PST.039.935		TEE
PST.039.945		TEE
PST.039.955		TEE
PST.039.965		TEE
PST.039.975		TEE
PST.039.985		TEE
PST.039.995		TEE

\* OPTIONAL