

FLAT FACE/VEP/STEEL

VITE VALVOLA PIANA/ACCIAIO

FLAT FACE SCREW COUPLINGS/STEEL

FLACHDICHTENDE SCHRAUBKUPPLUNGEN/STAHL

COUPLEURS FACE PLANE À VISSER/ACIER

PST4 DN06 - ISO 6.3 (p.22)

PST4 DN13 - ISO 10 (p.23)

PST4 DN20 - ISO 12.5 (p.24)

PST4 DN22 - ISO 16 (p.25)

PST4 DN25 - ISO 19 (p.26)

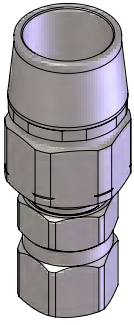
PST4 DN30 - ISO 25 (p.27)

PST4 DN39 - ISO 40 (p.28)

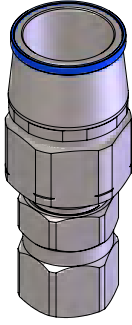


FEMALE: GENERAL ASSEMBLY INSTRUCTIONS

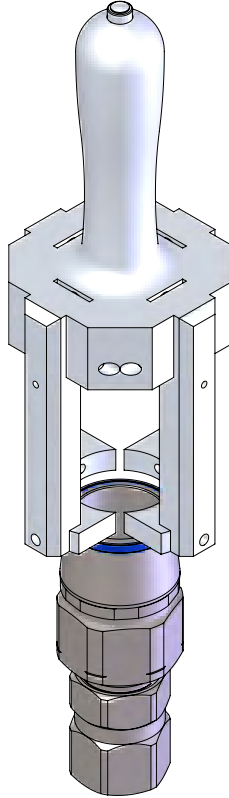
STEP 1:
INSERT THE
CONE



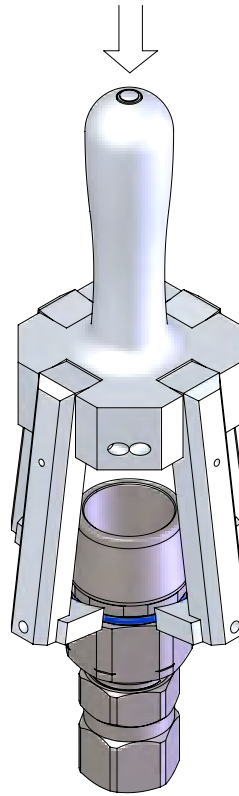
STEP 2:
INSERT THE
COLOR BAND



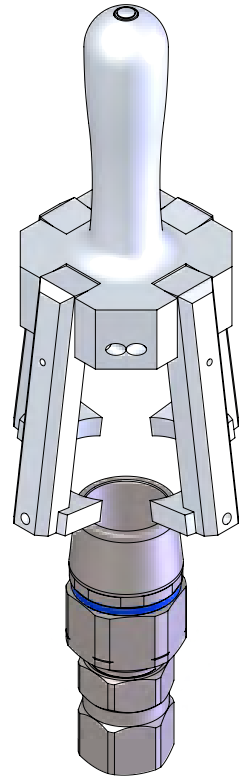
STEP 3:
PUSH THE BAND
INTO THE SEAT



STEP 4:
PUSH THE BUTTON AND PULL
OUT THE MANUAL TOOL

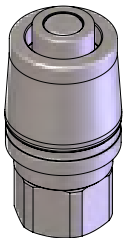


STEP 5:
RELEASE THE BUTTON AND REPEAT
THE SEQUENCE FROM STEP 1 ON
A NEW COUPLING

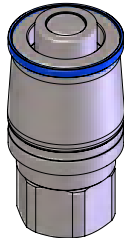


MALE: GENERAL ASSEMBLY INSTRUCTIONS

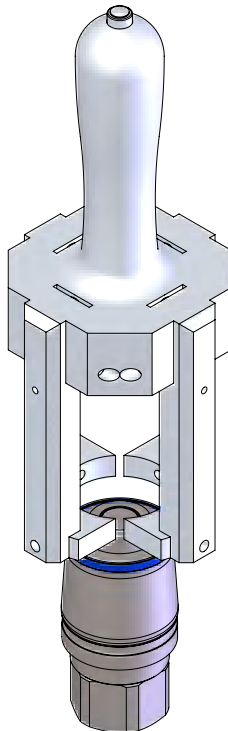
STEP 1:
INSERT THE
CONE



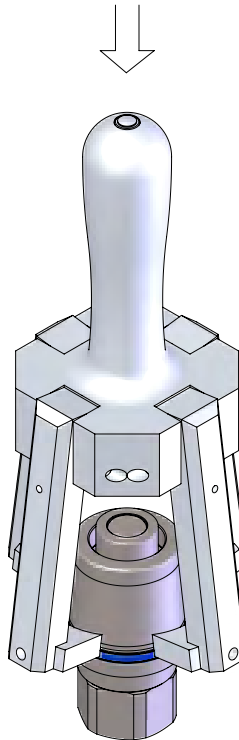
STEP 2:
INSERT THE
COLOR BAND



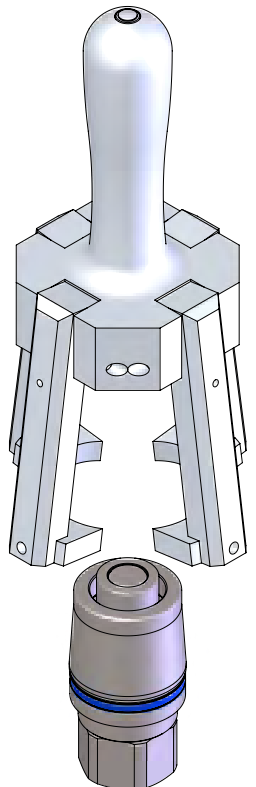
STEP 3:
PUSH THE BAND
INTO THE SEAT



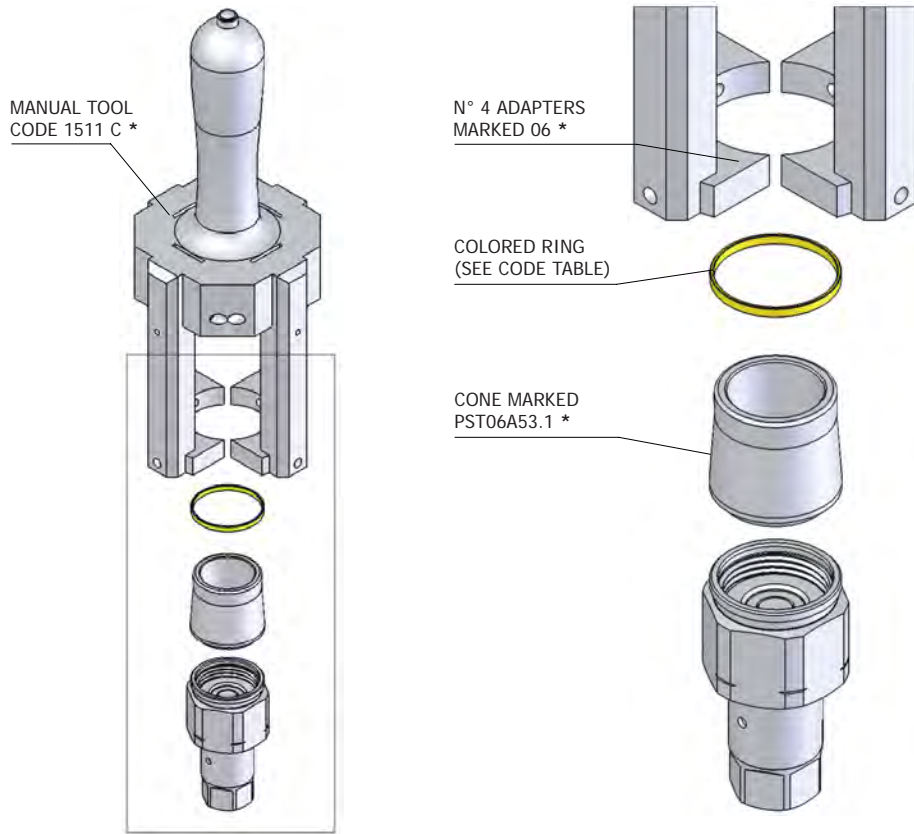
STEP 4:
PUSH THE BUTTON AND PULL
OUT THE MANUAL TOOL



STEP 5:
RELEASE THE BUTTON AND REPEAT
THE SEQUENCE FROM STEP 1 ON
A NEW COUPLING



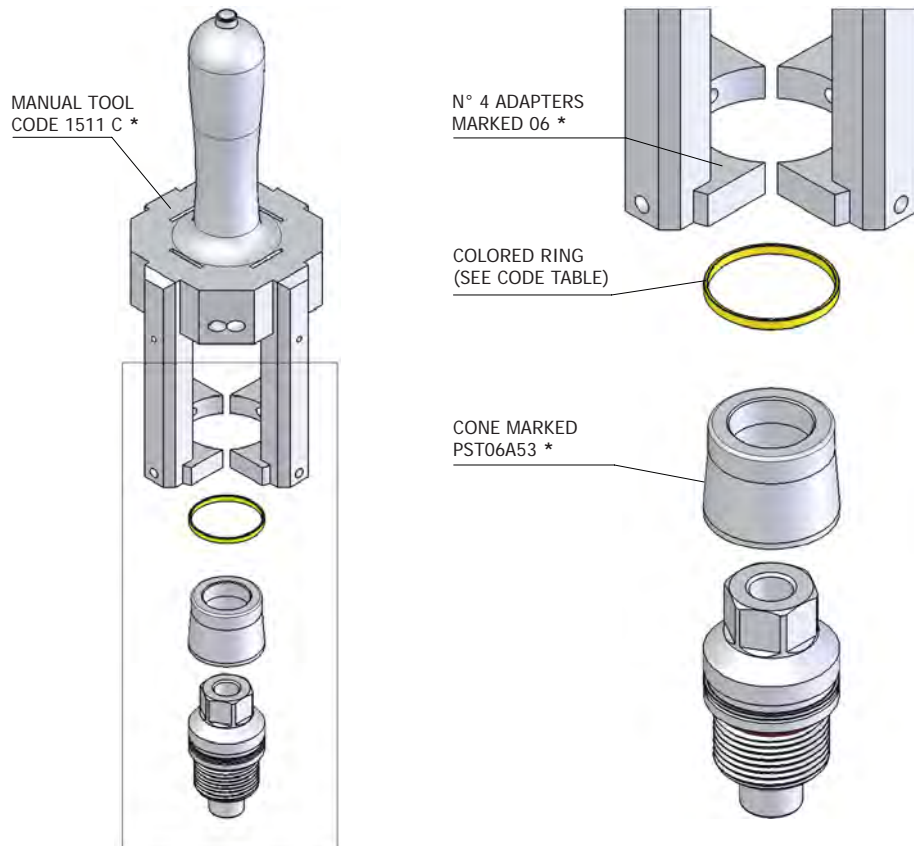
FEMALE: ASSEMBLY INSTRUCTIONS OF COLORED RINGS/PART NUMBERS



* OPTIONAL

PST4 DN06 - ISO 6.3		
CODE	COLOR	MATERIAL
PST.006.905		TEE
PST.006.915		TEE
PST.006.925		TEE
PST.006.935		TEE
PST.006.945		TEE
PST.006.955		TEE
PST.006.965		TEE
PST.006.975		TEE
PST.006.985		TEE
PST.006.995		TEE

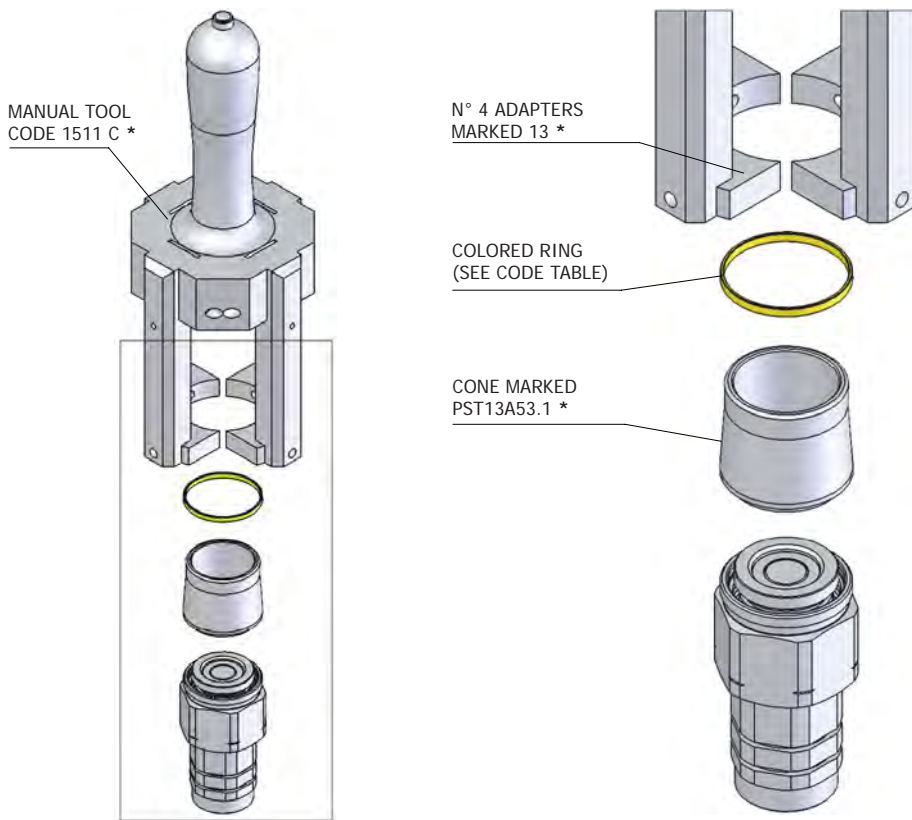
MALE: ASSEMBLY INSTRUCTIONS OF COLORED RINGS/PART NUMBERS



* OPTIONAL

PST4 DN06 - ISO 6.3		
CODE	COLOR	MATERIAL
PST.006.905		TEE
PST.006.915		TEE
PST.006.925		TEE
PST.006.935		TEE
PST.006.945		TEE
PST.006.955		TEE
PST.006.965		TEE
PST.006.975		TEE
PST.006.985		TEE
PST.006.995		TEE

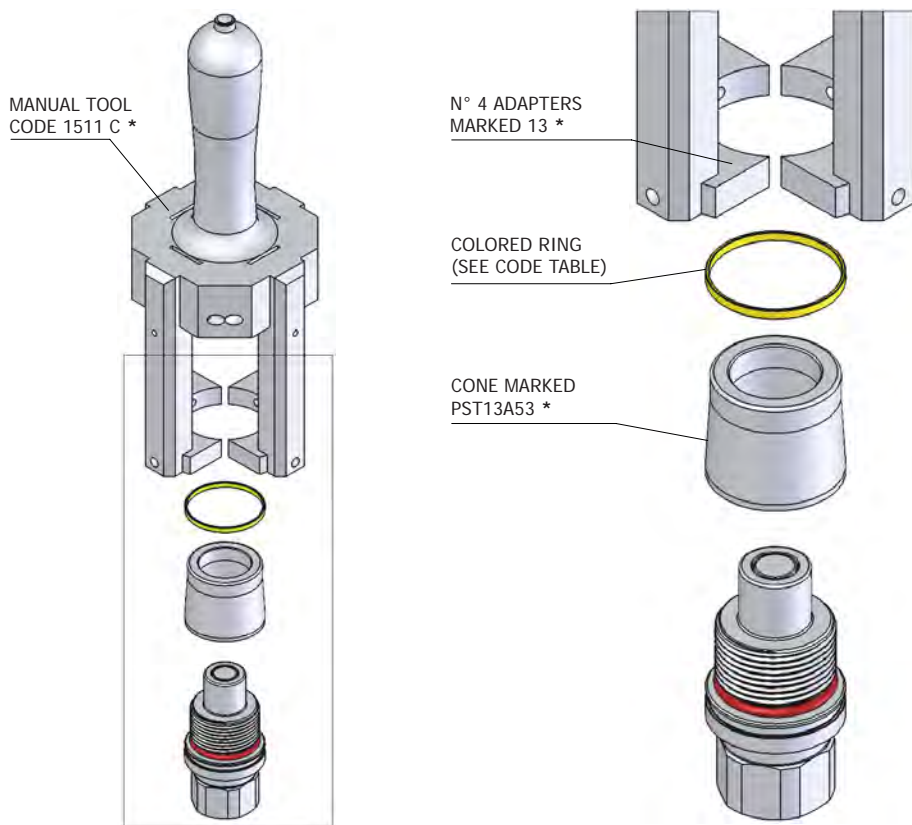
FEMALE: ASSEMBLY INSTRUCTIONS OF COLORED RINGS/PART NUMBERS



PST4 DN13 - ISO 10		
CODE	COLOR	MATERIAL
PST.013.905		TEE
PST.013.915		TEE
PST.013.925		TEE
PST.013.935		TEE
PST.013.945		TEE
PST.013.955		TEE
PST.013.965		TEE
PST.013.975		TEE
PST.013.985		TEE
PST.013.995		TEE

* OPTIONAL

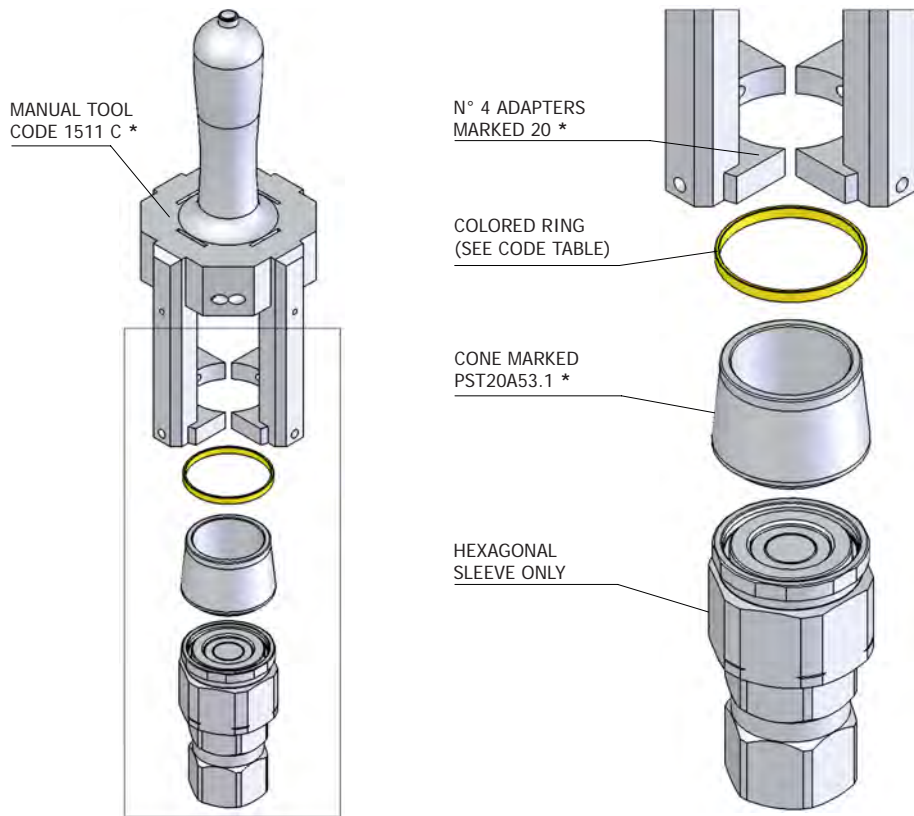
MALE: ASSEMBLY INSTRUCTIONS OF COLORED RINGS/PART NUMBERS



PST4 DN13 - ISO 10		
CODE	COLOR	MATERIAL
PST.013.905		TEE
PST.013.915		TEE
PST.013.925		TEE
PST.013.935		TEE
PST.013.945		TEE
PST.013.955		TEE
PST.013.965		TEE
PST.013.975		TEE
PST.013.985		TEE
PST.013.995		TEE

* OPTIONAL

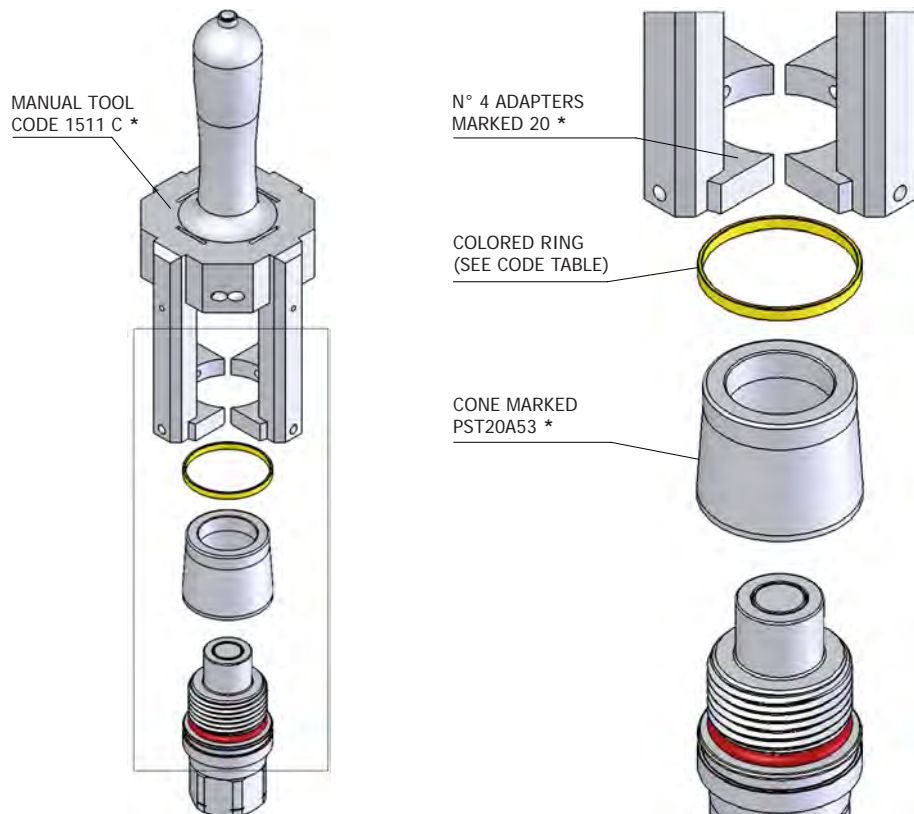
FEMALE: ASSEMBLY INSTRUCTIONS OF COLORED RINGS/PART NUMBERS



PST4 DN20 - ISO 12.5		
CODE	COLOR	MATERIAL
PST.019.905		TEE
PST.019.915		TEE
PST.019.925		TEE
PST.019.935		TEE
PST.019.945		TEE
PST.019.955		TEE
PST.019.965		TEE
PST.019.975		TEE
PST.019.985		TEE
PST.019.995		TEE

* OPTIONAL

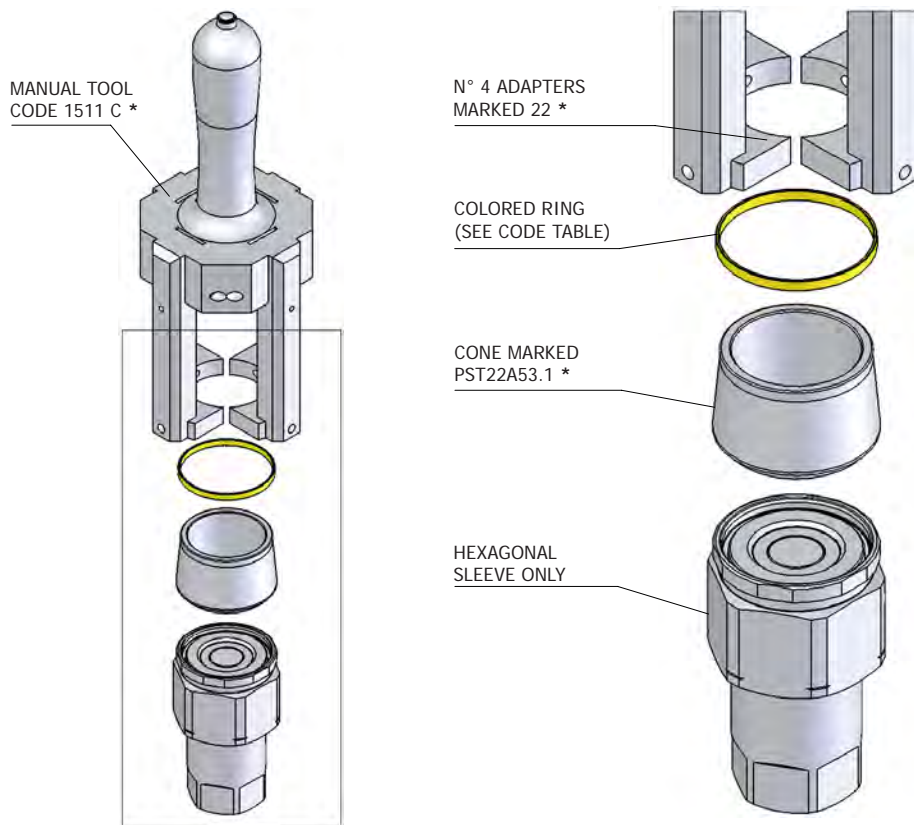
MALE: ASSEMBLY INSTRUCTIONS OF COLORED RINGS/PART NUMBERS



PST4 DN20 - ISO 12.5		
CODE	COLOR	MATERIAL
PST.019.905		TEE
PST.019.915		TEE
PST.019.925		TEE
PST.019.935		TEE
PST.019.945		TEE
PST.019.955		TEE
PST.019.965		TEE
PST.019.975		TEE
PST.019.985		TEE
PST.019.995		TEE

* OPTIONAL

FEMALE: ASSEMBLY INSTRUCTIONS OF COLORED RINGS/PART NUMBERS

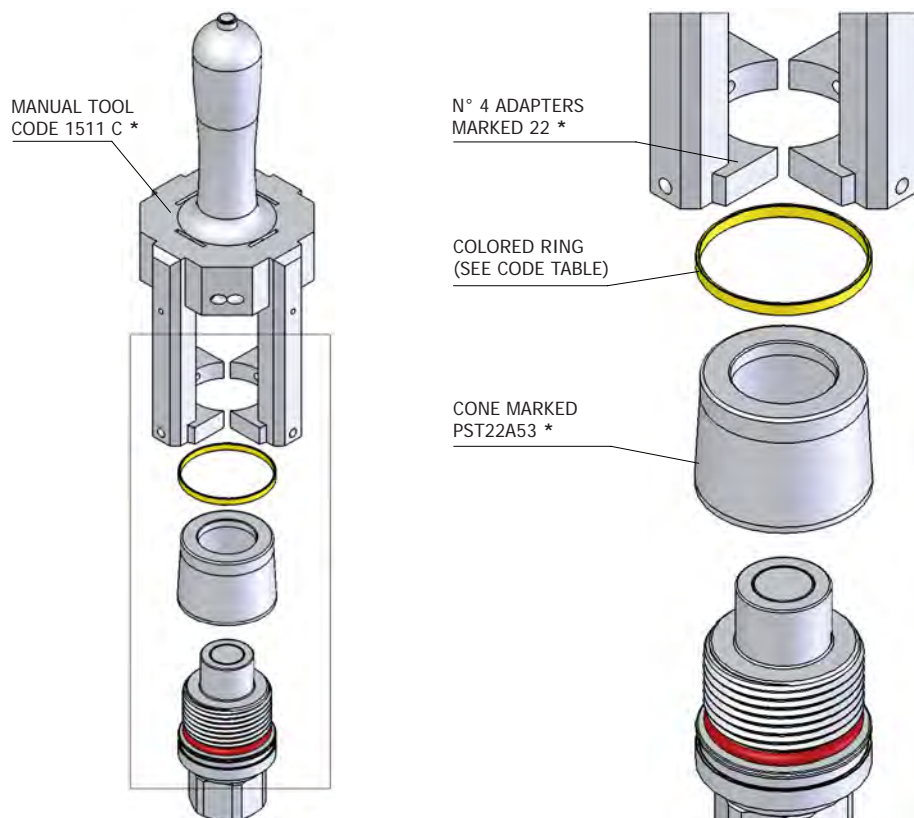


* OPTIONAL

PST4 DN22 - ISO 16

CODE	COLOR	MATERIAL
PST.022.905		TEE
PST.022.915		TEE
PST.022.925		TEE
PST.022.935		TEE
PST.022.945		TEE
PST.022.955		TEE
PST.022.965		TEE
PST.022.975		TEE
PST.022.985		TEE
PST.022.995		TEE

MALE: ASSEMBLY INSTRUCTIONS OF COLORED RINGS/PART NUMBERS

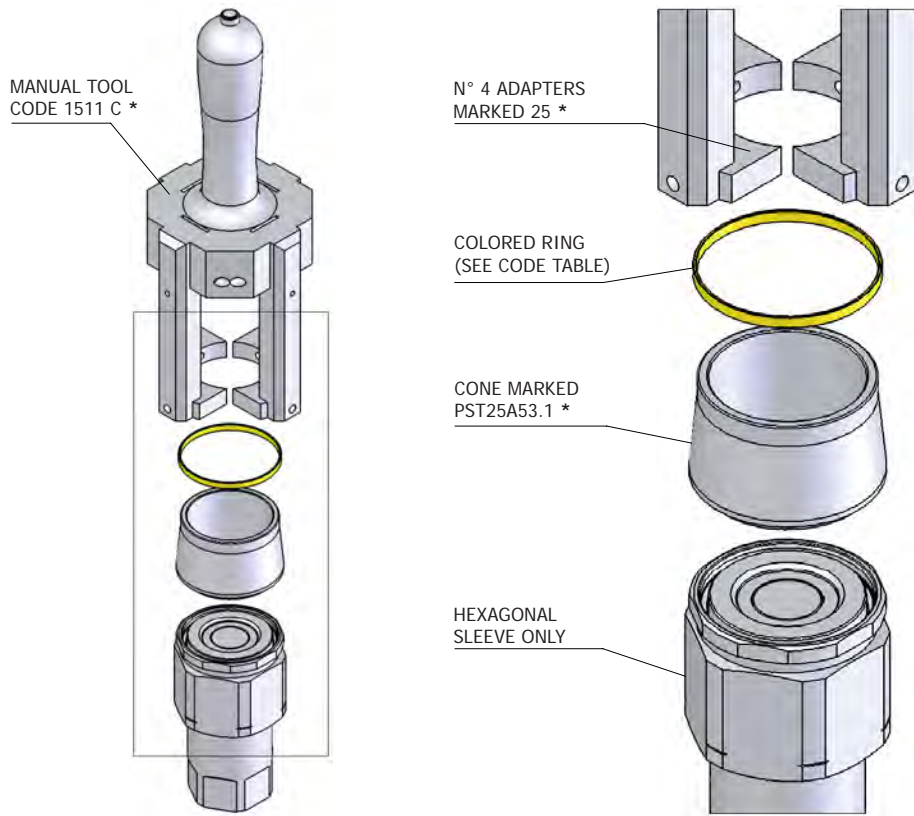


* OPTIONAL

PST4 DN22 - ISO 16

CODE	COLOR	MATERIAL
PST.022.905		TEE
PST.022.915		TEE
PST.022.925		TEE
PST.022.935		TEE
PST.022.945		TEE
PST.022.955		TEE
PST.022.965		TEE
PST.022.975		TEE
PST.022.985		TEE
PST.022.995		TEE

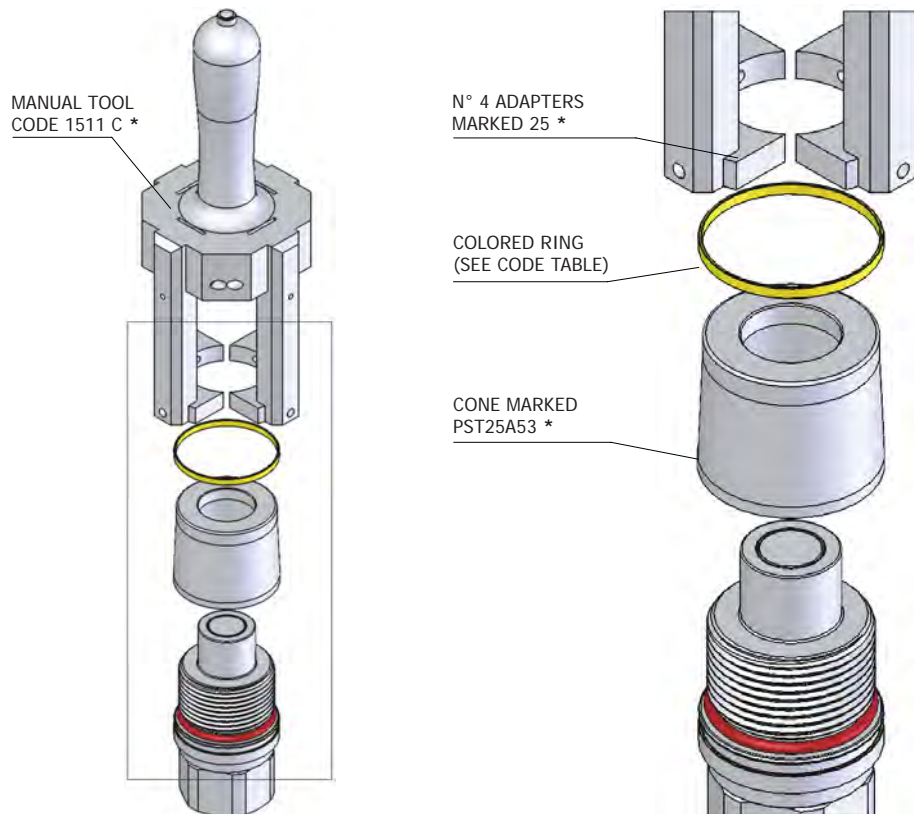
FEMALE: ASSEMBLY INSTRUCTIONS OF COLORED RINGS/PART NUMBERS



PST4 DN25 - ISO 19		
CODE	COLOR	MATERIAL
PST.025.905		TEE
PST.025.915		TEE
PST.025.925		TEE
PST.025.935		TEE
PST.025.945		TEE
PST.025.955		TEE
PST.025.965		TEE
PST.025.975		TEE
PST.025.985		TEE
PST.025.995		TEE

* OPTIONAL

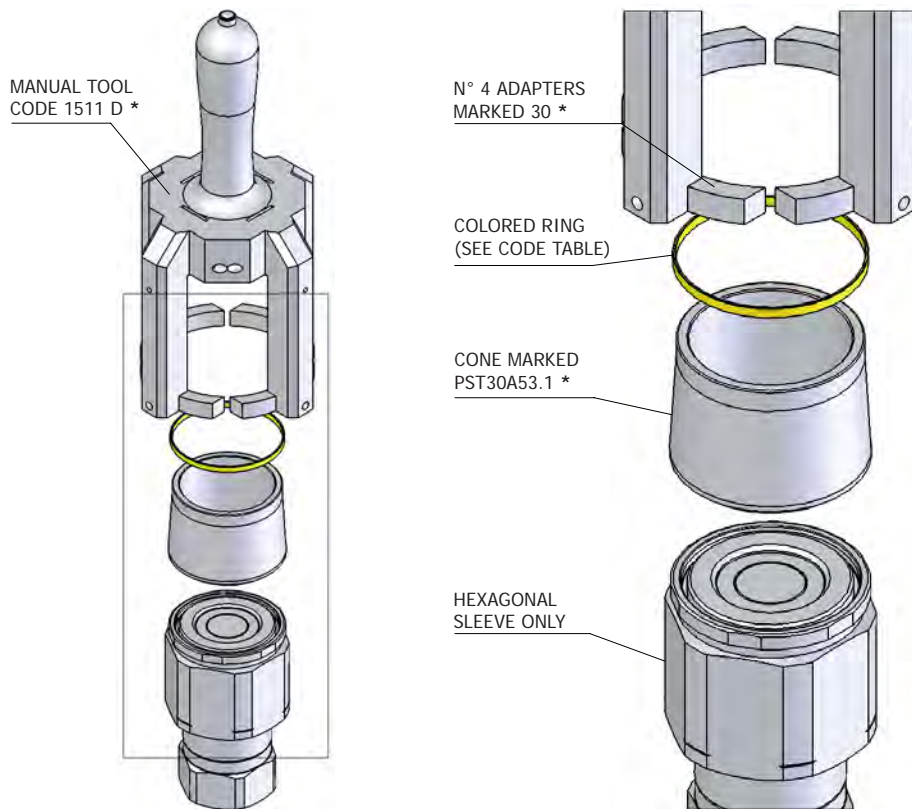
MALE: ASSEMBLY INSTRUCTIONS OF COLORED RINGS/PART NUMBERS



PST4 DN25 - ISO 19		
CODE	COLOR	MATERIAL
PST.025.905		TEE
PST.025.915		TEE
PST.025.925		TEE
PST.025.935		TEE
PST.025.945		TEE
PST.025.955		TEE
PST.025.965		TEE
PST.025.975		TEE
PST.025.985		TEE
PST.025.995		TEE

* OPTIONAL

FEMALE: ASSEMBLY INSTRUCTIONS OF COLORED RINGS/PART NUMBERS

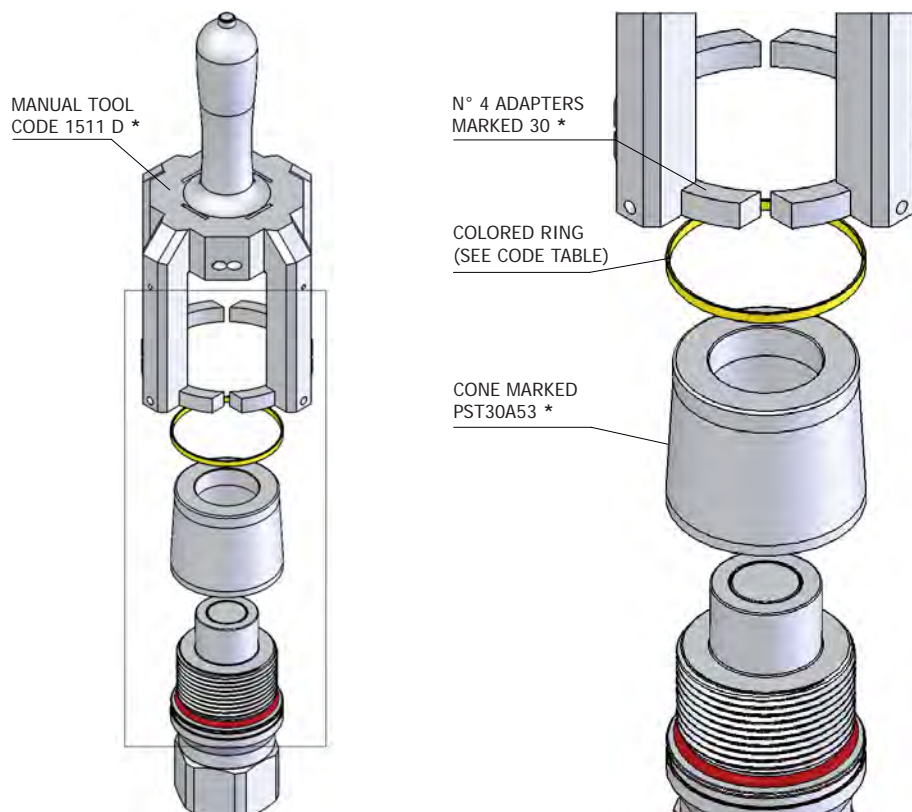


PST4 DN30 - ISO 25

CODE	COLOR	MATERIAL
PST.030.905		TEE
PST.030.915		TEE
PST.030.925		TEE
PST.030.935		TEE
PST.030.945		TEE
PST.030.955		TEE
PST.030.965		TEE
PST.030.975		TEE
PST.030.985		TEE
PST.030.995		TEE

* OPTIONAL

MALE: ASSEMBLY INSTRUCTIONS OF COLORED RINGS/PART NUMBERS

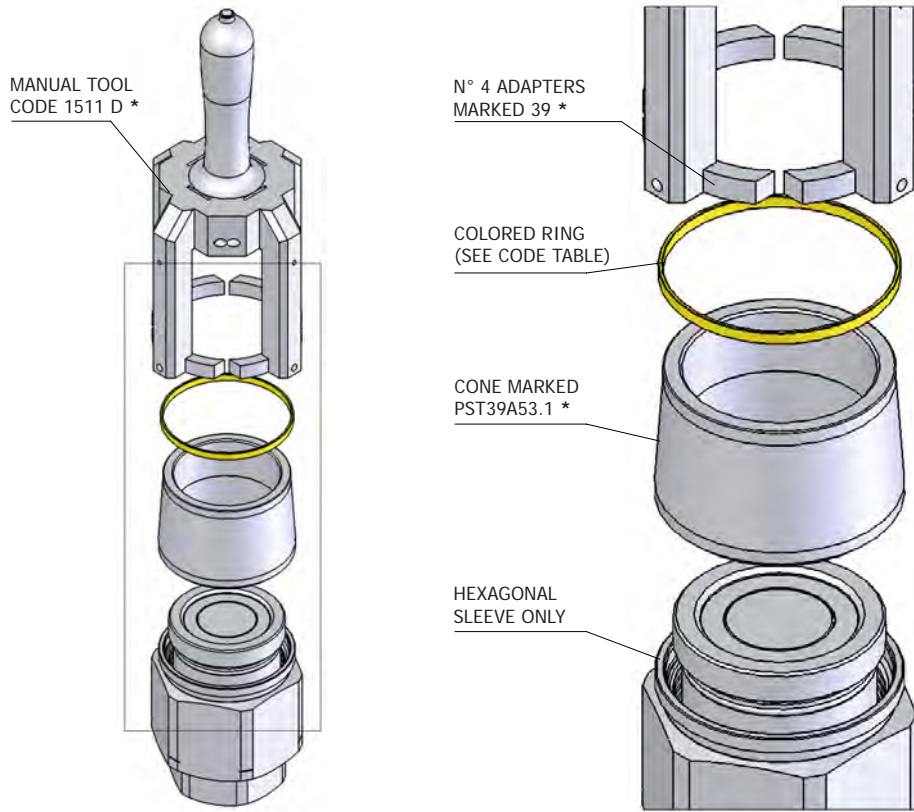


PST4 DN30 - ISO 25

CODE	COLOR	MATERIAL
PST.030.905		TEE
PST.030.915		TEE
PST.030.925		TEE
PST.030.935		TEE
PST.030.945		TEE
PST.030.955		TEE
PST.030.965		TEE
PST.030.975		TEE
PST.030.985		TEE
PST.030.995		TEE

* OPTIONAL

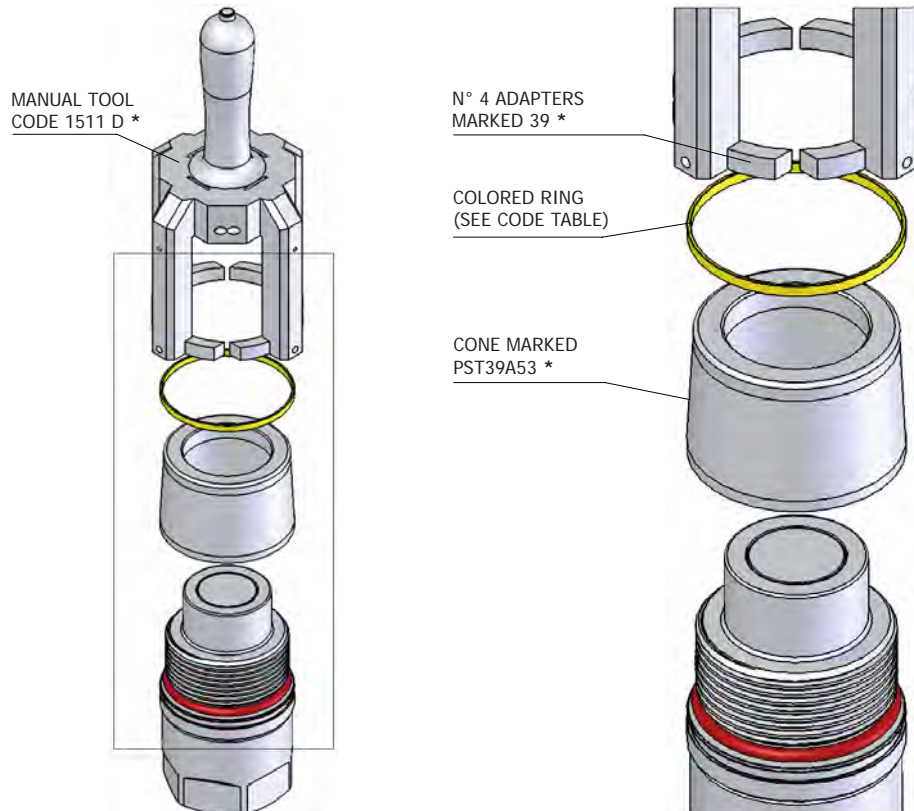
FEMALE: ASSEMBLY INSTRUCTIONS OF COLORED RINGS AND PART NUMBERS



PST4 DN39 - ISO 40		
CODE	COLOR	MATERIAL
PST.039.905		TEE
PST.039.915		TEE
PST.039.925		TEE
PST.039.935		TEE
PST.039.945		TEE
PST.039.955		TEE
PST.039.965		TEE
PST.039.975		TEE
PST.039.985		TEE
PST.039.995		TEE

* OPTIONAL

MALE: ASSEMBLY INSTRUCTIONS OF COLORED RINGS/PART NUMBERS



PST4 DN39 - ISO 40		
CODE	COLOR	MATERIAL
PST.039.905		TEE
PST.039.915		TEE
PST.039.925		TEE
PST.039.935		TEE
PST.039.945		TEE
PST.039.955		TEE
PST.039.965		TEE
PST.039.975		TEE
PST.039.985		TEE
PST.039.995		TEE

* OPTIONAL