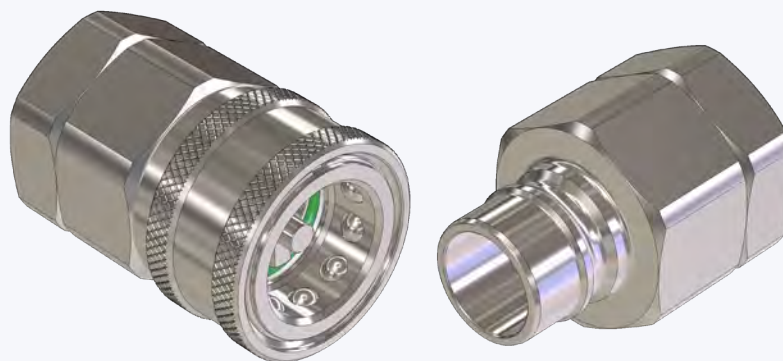


AMERICAN INTERCHANGE

VALVOLA/ACCIAIO INOX
 POPPET/STAINLESS STEEL
 VENTIL/EDELSTAHL
 CLAPET/ACIER INOX

Caratteristiche tecniche I

- Intercambiabilità: serie Parker/Snap-Tite H
- Occlusione: valvola
- Aggancio: sfere radiali
- Materiale: acciaio inox AISI 316
- Filettature: BSP - NPT
- Guarnizioni standard: FKM
- Temperatura d'esercizio: -25 °C +200 °C
- Guarnizioni opzionali: FFKM, EPDM o altro
- Pressioni di esercizio: 200-400 bar
- Connessione in pressione: non consentita



Technical data E

- Interchange: Parker/Snap-Tite H series
- Occlusion: poppet
- Locking: radial balls
- Material: stainless steel AISI 316
- Threads: BSP - NPT
- Standard seals: FKM
- Working temperature: -25 °C +200 °C
- Optional seals: FFKM, EPDM or more
- Working pressure: 200-400 bar
- Connection under pressure: not allowed

Nominal size	Max working pressure	Rated flow	Max flow rate	Min burst pressure			Fluid spillage			
				Male	Female	Coupled				
DNP	BG	ISO	mm	MPa	l/min	l/min	MPa	MPa	MPa	cc
06	1	6.3	6.4	40	12	24	180	165	143	2
10	2	10	8.5	35	23	46	120	210	180	3.2
13	3	12.5	10	25	45	90	84	78	77	4
20	4	19	16.7	14	106	212	47	43	78	14
25	5	25	22	20	189	380	71	76	75	20

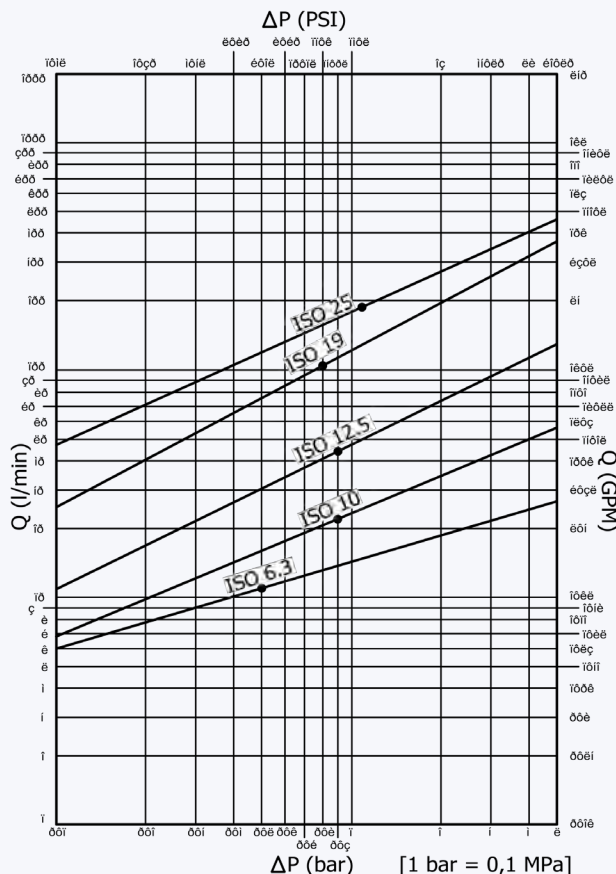
1 MPa = 145.04 psi • 1 l = 0.264 gal

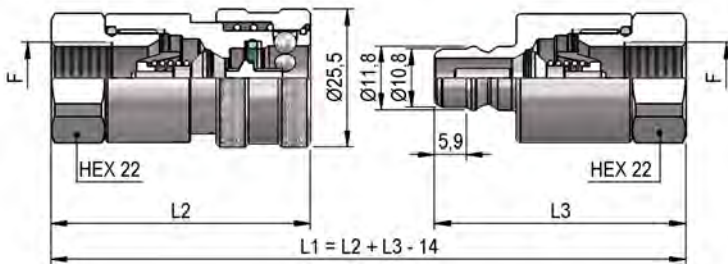
Technische Merkmale D

- Austauschbarkeit: Parker/Snap-Tite H Serie
- Verschluss: ventil
- Kupplung: Radial Kugeln
- Werkstoff: rostfreiem Stahl AISI 316
- Gewinde: BSP - NPT
- Standard-Dichtungen: FKM
- Betriebstemperatur: -25 °C +200 °C
- Dichtungen nach Wahl: FFKM, EPDM, usw.
- Betriebsdruck: 200-400 bar
- Kuppeln unter Druck: nicht möglich

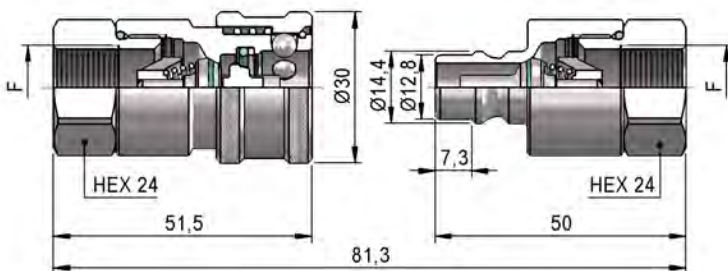
Caracteristiques techniques F

- Intercambiabilità: série Parker/Snap-Tite H
- Obturation: clapet
- Accrochage: billes radiales
- Matériel: acier inoxydable AISI 316
- Taraudage: BSP - NPT
- Joints standard: FKM
- Température de service: -25 °C +200 °C
- Joints facultatifs: FFKM, EPDM, ect.
- Pression de service: 200-400 bar
- Connexion sous pression: pas possible

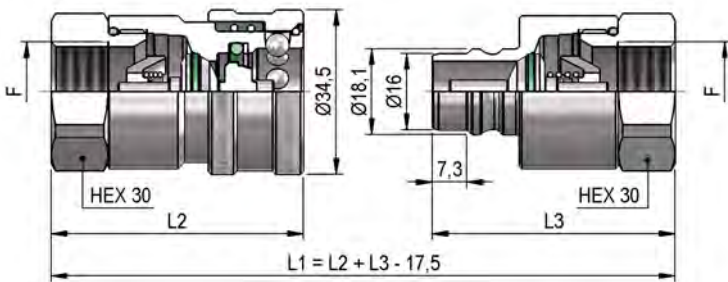


PNVX DN06 - BG 1 - ISO 6.3


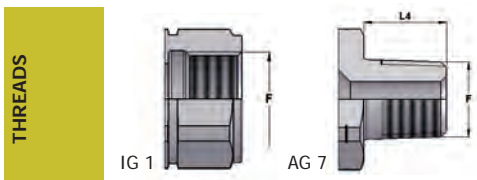
THREADS	L2	L3	L4	F	STANDARD	FEMMINA - FEMALE - MUFFE - FEMELLE			MASCHIO - MALE - STECKER - MALE		
						COD. F	Weight (g)	Packaging (pcs.)	COD. M	Weight (g)	Packaging (pcs.)
IG 1	48	46.5		BSP 1/4"	DIN 3852-2-X	PNVX.0606.002	90	168	PNVX.0606.003	64	224
	48	46.5		NPT 1/4"	ANSI B1.20.3	PNVX.0606.012	90	168	PNVX.0606.013	64	224
AG 7	59	57.5	14	NPT 1/4"	ANSI B1.20.3	PNVX.0606.022	100	168	PNVX.0606.023	73	224

PNVX DN10 - BG 2 - ISO 10


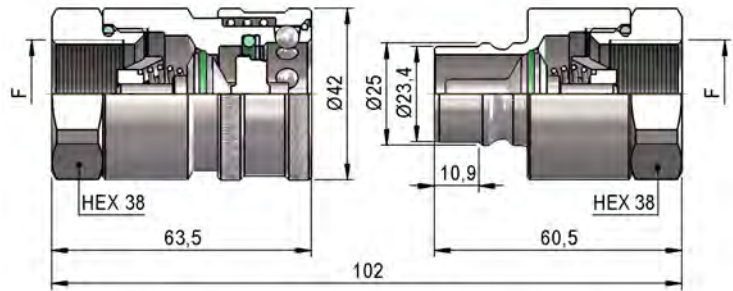
F	STANDARD	FEMMINA - FEMALE - MUFFE - FEMELLE			MASCHIO - MALE - STECKER - MALE		
		COD. F	Weight (g)	Packaging (pcs.)	COD. M	Weight (g)	Packaging (pcs.)
BSP 3/8"	DIN 3852-2-X	PNVX.1010.002	153	120	PNVX.1010.003	104	168
NPT 3/8"	ANSI B1.20.3	PNVX.1010.012	155	120	PNVX.1010.013	106	168

PNVX DN13 - BG 3 - ISO 12.5


THREADS	L2	L3	L4	F	STANDARD	FEMMINA - FEMALE - MUFFE - FEMELLE			MASCHIO - MALE - STECKER - MALE		
						COD. F	Weight (g)	Packaging (pcs.)	COD. M	Weight (g)	Packaging (pcs.)
IG 1	53	51		BSP 1/2"	DIN 3852-2-X	PNVX.1313.002	214	45	PNVX.1313.003	136	55
	53	51		NPT 1/2"	ANSI B1.20.3	PNVX.1313.012	215	45	PNVX.1313.013	137	55
AG 7	70	68	19	NPT 1/2"	ANSI B1.20.3	PNVX.1313.022	257	45	PNVX.1313.023	188	55

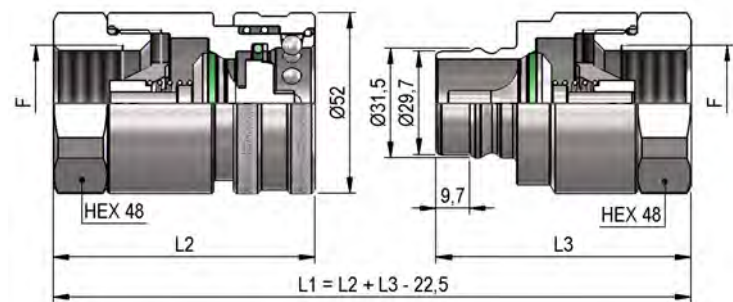


PNVX DN20 - BG 4 - ISO 19



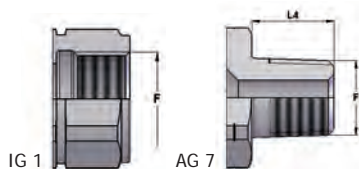
F	STANDARD	FEMMINA - FEMALE - MUFFE - FEMELLE			MASCHIO - MALE - STECKER - MALE		
		COD. F	Weight (g)	Packaging (pcs.)	COD. M	Weight (g)	Packaging (pcs.)
BSP 3/4"	DIN 3852-2-X	PNVX.2019.002	386	30	PNVX.2019.003	278	30
NPT 3/4"	ANSI B1.20.3	PNVX.2019.012	392	30	PNVX.2019.013	284	30

PNVX DN25 - BG 5 - ISO 25



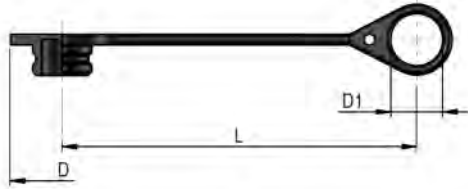
THREADS	L2	L3	L4	F	STANDARD	FEMMINA - FEMALE - MUFFE - FEMELLE			MASCHIO - MALE - STECKER - MALE		
						COD. F	Weight (g)	Packaging (pcs.)	COD. M	Weight (g)	Packaging (pcs.)
IG 1	75.2	73.3		BSP 1"	DIN 3852-2-X	PNVX.2525.002	713	20	PNVX.2525.003	522	20
				NPT 1"	ANSI B1.20.3	PNVX.2525.012	723	20	PNVX.2525.013	532	20
AG 7	97.2	95.3	24	NPT 1"	ANSI B1.20.3	PNVX.2525.022	827	20	PNVX.2525.023	639	20

THREADS

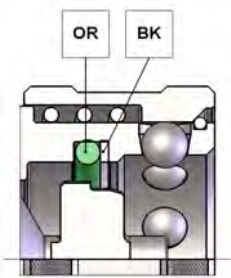


PLASTIC CAPS

NOMINAL SIZE			FEMALE DUST PLUG					MALE DUST CAP					COLOR	MATERIAL
DNP	BG	ISO	COD. F	Dimensions			Weight (g)	COD. M	Dimensions			Weight (g)		
				D	L	D1			D	L	D1			
06	1	6.3	SPNV.06042	25	115	15	6	SPNV.06043	25	115	15	7	●	PVC
10	2	10	SPNV.10042	30	120	18	7	SPNV.10043	30	120	18	10	●	PVC
13	3	12.5	SPNV.13042	35	120	22	9	SPNV.13043	35	120	22	12	●	PVC
20	4	19	SPNV.20042	44	155	22	15	SPNV.20043	44	155	22	20	●	PVC
25	5	25	SPNV.25042	51	165	36	23	SPNV.25043	51	165	36	26	●	PVC



SPARE PARTS



NOMINAL SIZE			FEMALE GASKET	
DNP	BG	ISO	OR (KFM)	BK (PTFE)
06	1	6.3	PBV.004.120 V	PBV.004.130
10	2	10	PLK.013.120 V	PNV.010.130
13	3	12.5	PVS.006.120 V	PNV.013.130
20	4	19	PBV.013.120 V	PBV.013.130
25	5	25	PLT.325.031 V	PNV.025.130