

ISO 16028/STAINLESS STEEL

VALVOLA PIANA/ACCIAIO INOX

FLAT FACE/STAINLESS STEEL

FLACHDICHTEND/EDELSTAHL

CLAPET PLAT/ACIER INOX

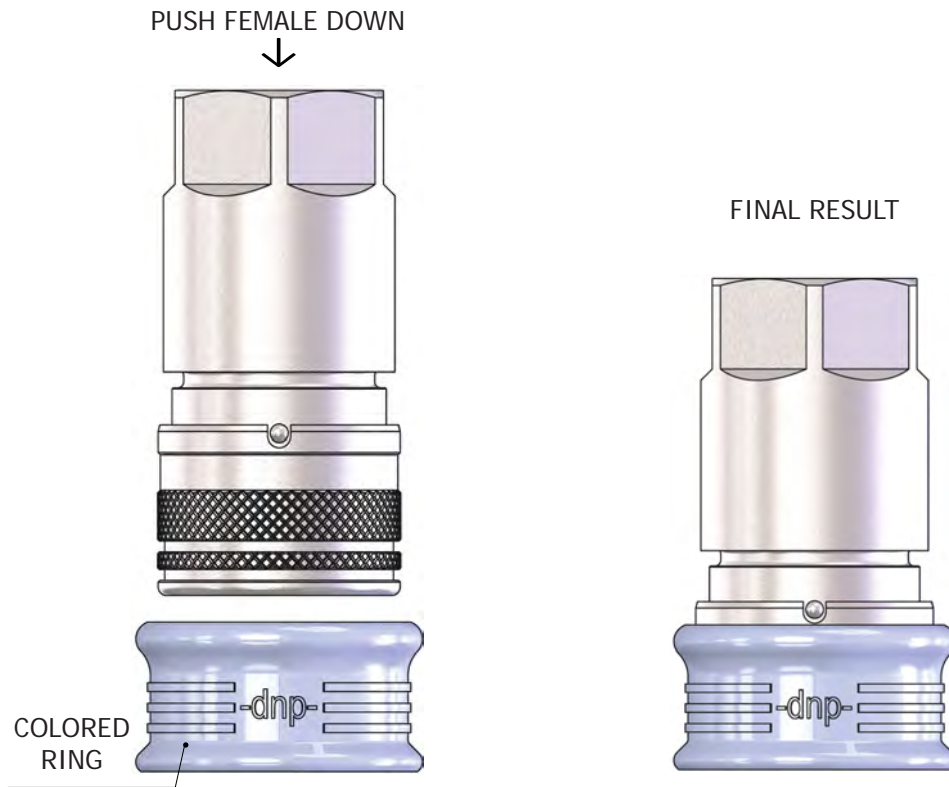
Technical data

E

- Standard: ISO 16028 (DN06→DN30)
- Occlusion: flat face
- Locking: radial balls
- Material: stainless steel AISI 316
- Threads: BSP - NPT - SAE
- Standard seals: FKM
- Working temperature: -25 °C +200 °C
- Optional seals: EPDM, FFKM or more
- Working pressure: 100-300 bar
- Connection under residual pressure: not allowed



FEMALE: ASSEMBLY INSTRUCTIONS OF COLORED RINGS/PART NUMBERS



PLTX DN06 - ISO 6.3		
CODE	COLOR	MATERIAL
PLT.006.802	●	TPEE
PLT.006.812	●	TPEE
PLT.006.822	●	TPEE
PLT.006.832	●	TPEE
PLT.006.842	●	TPEE
PLT.006.852	○	TPEE
PLT.006.862	●	TPEE
PLT.006.872	●	TPEE
PLT.006.882	●	TPEE
PLT.006.892	●	TPEE

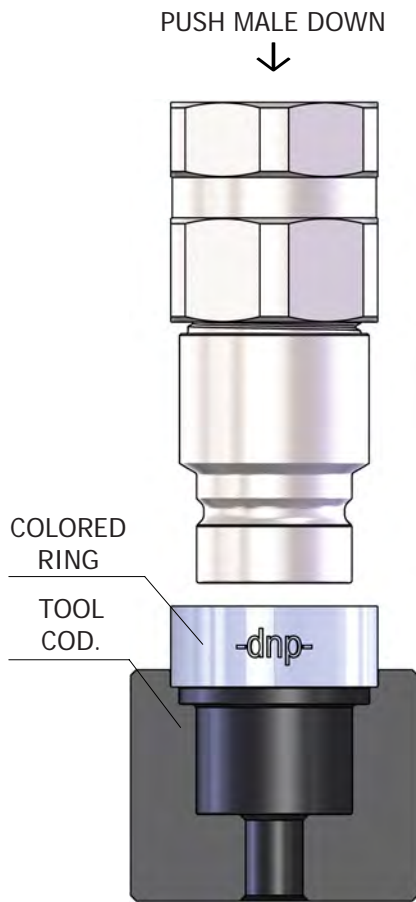
PLTX DN13 - ISO 10		
CODE	COLOR	MATERIAL
PLT.013.802	●	TPEE
PLT.013.812	●	TPEE
PLT.013.822	●	TPEE
PLT.013.832	●	TPEE
PLT.013.842	●	TPEE
PLT.013.852	○	TPEE
PLT.013.862	●	TPEE
PLT.013.872	●	TPEE
PLT.013.882	●	TPEE
PLT.013.892	●	TPEE

PLTX DN20 - ISO 12.5		
CODE	COLOR	MATERIAL
PLT.019.802	●	TPEE
PLT.019.812	●	TPEE
PLT.019.822	●	TPEE
PLT.019.832	●	TPEE
PLT.019.842	●	TPEE
PLT.019.852	○	TPEE
PLT.019.862	●	TPEE
PLT.019.872	●	TPEE
PLT.019.882	●	TPEE
PLT.019.892	●	TPEE

PLTX DN22 - ISO 16		
CODE	COLOR	MATERIAL
PLT.022.802	●	TPEE
PLT.022.812	●	TPEE
PLT.022.822	●	TPEE
PLT.022.832	●	TPEE
PLT.022.842	●	TPEE
PLT.022.852	○	TPEE
PLT.022.862	●	TPEE
PLT.022.872	●	TPEE
PLT.022.882	●	TPEE
PLT.022.892	●	TPEE

PLTX DN25 - ISO 19		
CODE	COLOR	MATERIAL
PLT.025.802	●	TPEE
PLT.025.812	●	TPEE
PLT.025.822	●	TPEE
PLT.025.832	●	TPEE
PLT.025.842	●	TPEE
PLT.025.852	○	TPEE
PLT.025.862	●	TPEE
PLT.025.872	●	TPEE
PLT.025.882	●	TPEE
PLT.025.892	●	TPEE

PLTX DN30 - ISO 25		
CODE	COLOR	MATERIAL
PLT.030.802	●	TPEE
PLT.030.812	●	TPEE
PLT.030.822	●	TPEE
PLT.030.832	●	TPEE
PLT.030.842	●	TPEE
PLT.030.852	○	TPEE
PLT.030.862	●	TPEE
PLT.030.872	●	TPEE
PLT.030.882	●	TPEE
PLT.030.892	●	TPEE

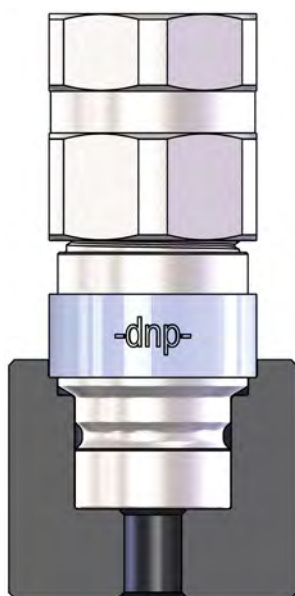
MALE: ASSEMBLY INSTRUCTIONS OF COLORED RINGS/PART NUMBERS


TOOL COD.		
PLT.006.8X3		
PLTX DN06 - ISO 6.3		
CODE	COLOR	MATERIAL
PLT.006.803	●	PP
PLT.006.813	●	PP
PLT.006.823	●	PP
PLT.006.833	●	PP
PLT.006.843	●	PP
PLT.006.853	○	PP
PLT.006.863	●	PP
PLT.006.873	●	PP
PLT.006.883	●	PP
PLT.006.893	●	PP

TOOL COD.		
PLT.013.8X3		
PLTX DN13 - ISO 10		
CODE	COLOR	MATERIAL
PLT.013.803	●	PP
PLT.013.813	●	PP
PLT.013.823	●	PP
PLT.013.833	●	PP
PLT.013.843	●	PP
PLT.013.853	○	PP
PLT.013.863	●	PP
PLT.013.873	●	PP
PLT.013.883	●	PP
PLT.013.893	●	PP

TOOL COD.		
PLT.019.8X3		
PLTX DN20 - ISO 12.5		
CODE	COLOR	MATERIAL
PLT.019.803	●	PP
PLT.019.813	●	PP
PLT.019.823	●	PP
PLT.019.833	●	PP
PLT.019.843	●	PP
PLT.019.853	○	PP
PLT.019.863	●	PP
PLT.019.873	●	PP
PLT.019.883	●	PP
PLT.019.893	●	PP

TOOL COD.		
PLT.022.8X3		
PLTX DN22 - ISO 16		
CODE	COLOR	MATERIAL
PLT.022.803	●	PP
PLT.022.813	●	PP
PLT.022.823	●	PP
PLT.022.833	●	PP
PLT.022.843	●	PP
PLT.022.853	○	PP
PLT.022.863	●	PP
PLT.022.873	●	PP
PLT.022.883	●	PP
PLT.022.893	●	PP


FINAL RESULT

TOOL COD.		
PLT.025.8X3		
PLTX DN25 - ISO 19		
CODE	COLOR	MATERIAL
PLT.025.803	●	PP
PLT.025.813	●	PP
PLT.025.823	●	PP
PLT.025.833	●	PP
PLT.025.843	●	PP
PLT.025.853	○	PP
PLT.025.863	●	PP
PLT.025.873	●	PP
PLT.025.883	●	PP
PLT.025.893	●	PP

TOOL COD.		
PLT.031.8X3		
PLTX DN30 - ISO 25		
CODE	COLOR	MATERIAL
PLT.031.803	●	PP
PLT.031.813	●	PP
PLT.031.823	●	PP
PLT.031.833	●	PP
PLT.031.843	●	PP
PLT.031.853	○	PP
PLT.031.863	●	PP
PLT.031.873	●	PP
PLT.031.883	●	PP
PLT.031.893	●	PP