

FLAT FACE/71 SERIES/STAINLESS

VALVOLA PIANA/ACCIAIO INOX
 FLAT FACE/ STAINLESS STEEL
 FLACHDICHTEND/ EDELSTAHL
 CLAPET PLAT/ ACIER INOX

Caratteristiche tecniche I

- Intercambiabilità: Parker/Snap-Tite 71
- Occlusione: faccia piana
- Aggancio: sfere radiali
- Materiale: acciaio inox AISI 316
- Filettature: BSP - NPT
- Guarnizioni standard: FKM
- Temperatura d'esercizio: -25 °C +200 °C
- Guarnizioni opzionali: FFKM, EPDM o altro.
- Pressioni di esercizio: 350 bar
- Connessione in pressione residua: non consentita

Technical data E

- Interchange: Parker/Snap-Tite 71
- Occlusion: flat face
- Locking: radial balls
- Material: stainless steel AISI 316
- Threads: BSP - NPT
- Standard seals: FKM
- Working temperature: -25 °C +200 °C
- Optional seals: FFKM, EPDM or more.
- Working pressure: 350 bar
- Connection under residual pressure: not allowed

Technische Merkmale D

- Austauschbarkeit: Parker/Snap-Tite 71
- Verschluss: flachdichtend
- Kupplung: Radial Kugeln
- Werkstoff: rostfreiem Stahl AISI 316
- Gewinde: BSP - NPT
- Standard-Dichtungen: FKM
- Betriebstemperatur: -25 °C +200 °C
- Dichtungen nach Wahl: FFKM, EPDM, usw.
- Betriebsdruck: 350 bar
- Kuppeln unter Restdruck: nicht möglich

Caracteristiques techniques F

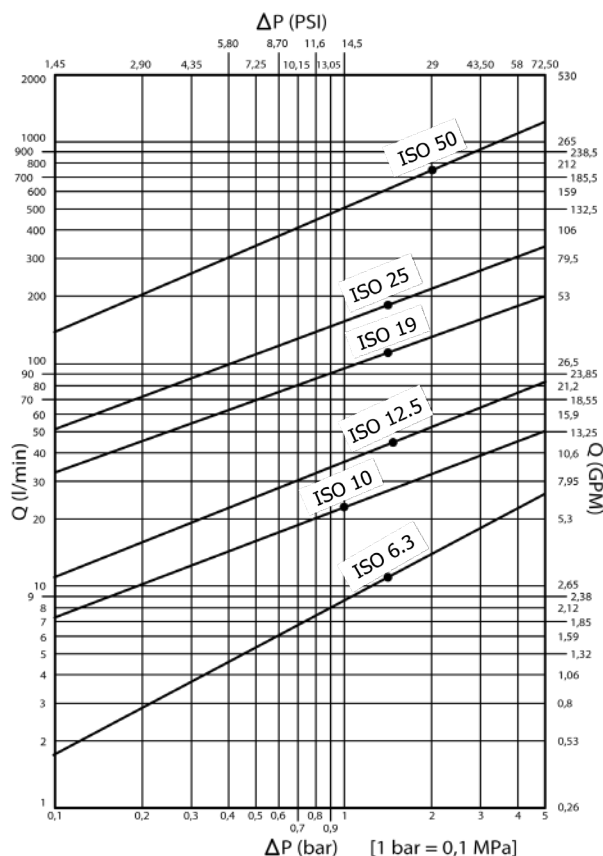
- Intercangeabilité: Parker/Snap-Tite 71
- Obturation: clapet plat
- Accrochage: billes radiales
- Matériel: acier inox AISI 316
- Taraudage: BSP - NPT
- Joints standard: FKM
- Température de service: -25 °C +200 °C
- Joints facultatifs: FFKM, EPDM, ect.
- Pression de service: 350 bar
- Connexion sous pression résiduelle: pas possible



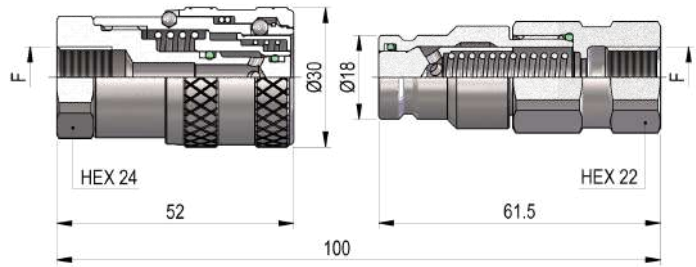
Nominal size				Max working pressure	Rated flow	Max flow rate	Min burst pressure			Fluid spillage
DNP	BG	ISO	mm	MPa	l/min	l/min	MPa	MPa	MPa	
06	1	6.3	5.3	35	12	20	197	170	215	0.010
10	2	10	10.4	35	23	45	140	130	200	0.020
13	3	12.5	13	35	45	60	110	130	200	0.030
20	4	19	17	35	106	150	110	128	170	0.060
25	5	25	21.8	35	189	240	100	115	145	0.100
50	8	50	38	20	757	1000	65	65	80	0.150

1 MPa = 145.04 psi • 1 l = 0.264 gal

* Dynamic pressure. For static pressure multiply by two

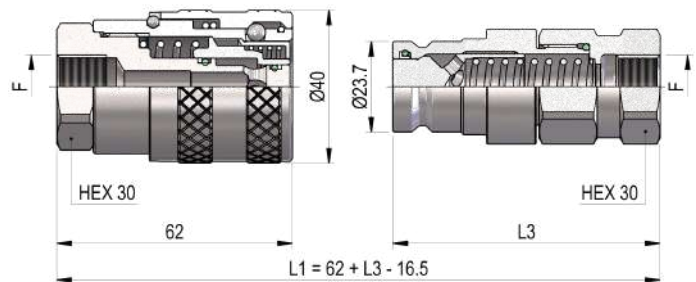


PLSX DN06 - BG 1 - ISO 6.3



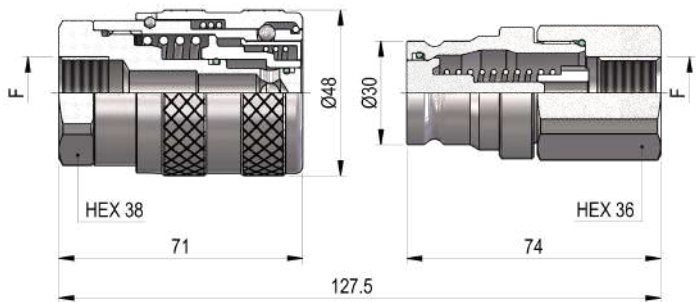
F	STANDARD	FEMMINA - FEMALE - MUFFE - FEMELLE			MASCHIO - MALE - STECKER - MALE		
		COD. F	Weight (g)	Packaging (pcs.)	COD. M	Weight (g)	Packaging (pcs.)
BSP 1/4"	DIN 3852-2-X	PLSX.0606.112	179	93	PLSX.0606.113	122	120
NPT 1/4"	ANSI B1.20.3	PLSX.0606.012	180	93	PLSX.0606.013	123	120

PLSX DN10 - BG 2 - ISO 10

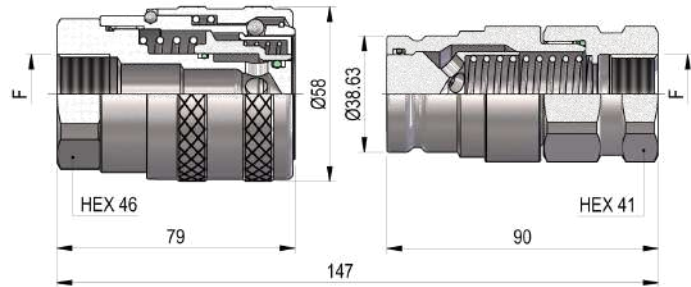


L3	F	STANDARD	FEMMINA - FEMALE - MUFFE - FEMELLE			MASCHIO - MALE - STECKER - MALE		
			COD. F	Weight (g)	Packaging (pcs.)	COD. M	Weight (g)	Packaging (pcs.)
70	BSP 3/8"	DIN 3852-2-X	PLSX.1010.112	390	35	PLSX.1010.113	217	60
70	NPT 3/8"	ANSI B1.20.3	PLSX.1010.012	390	35	PLSX.1010.013	220	60
69.5	BSP 1/2"	DIN 3852-2-X	PLSX.1013.112	369	35	PLSX.1013.113	201	60
73.5	NPT 1/2"	ANSI B1.20.3	PLSX.1013.012	371	35	PLSX.1013.013	216	60

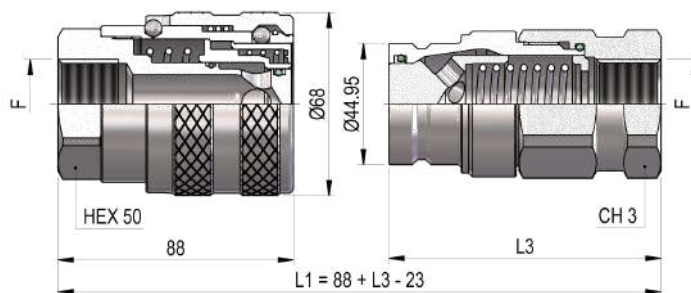
PLSX DN13 - BG 3 - ISO 12.5



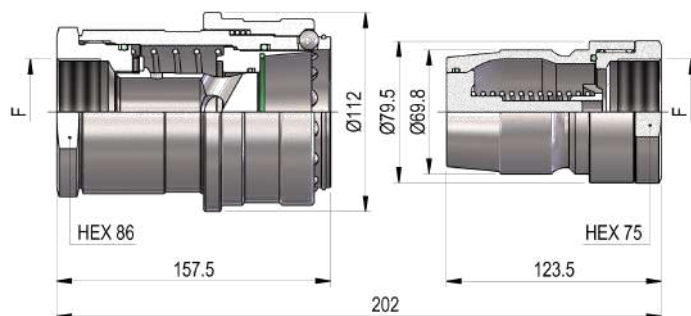
F	STANDARD	FEMMINA - FEMALE - MUFFE - FEMELLE			MASCHIO - MALE - STECKER - MALE		
		COD. F	Weight (g)	Packaging (pcs.)	COD. M	Weight (g)	Packaging (pcs.)
BSP 1/2"	DIN 3852-2-X	PLSX.1313.112	631	23	PLSX.1313.113	383	35
NPT 1/2"	ANSI B1.20.3	PLSX.1313.012	634	23	PLSX.1313.013	385	35

PLSX DN20 - BG 4 - ISO 19


F	STANDARD	FEMMINA - FEMALE - MUFFE - FEMELLE			MASCHIO - MALE - STECKER - MALE		
		COD. F	Weight (g)	Packaging (pcs)	COD. M	Weight (g)	Packaging (pcs)
BSP 3/4"	DIN 3852-2-X	PLSX.2019.112	954	15	PLSX.2019.113	560	28
NPT 3/4"	ANSI B1.20.3	PLSX.2019.012	960	15	PLSX.2019.013	567	28

PLSX DN25 - BG 5 - ISO 25


CH3	L3	F	STANDARD	FEMMINA - FEMALE - MUFFE - FEMELLE			MASCHIO - MALE - STECKER - MALE		
				COD. F	Weight (g)	Packaging (pcs)	COD. M	Weight (g)	Packaging (pcs)
50	101.5	BSP 1"	DIN 3852-2-X	PLSX.2525.112	1420	11	PLSX.2525.113	979	20
50	101.5	NPT 1"	ANSI B1.20.3	PLSX.2525.012	1440	11	PLSX.2525.013	990	20
55	101.5	BSP 1 1/4"	DIN 3852-2-X	PLSX.2531.112	1321	11	PLSX.2531.113	1059	20
55	103.5	NPT 1 1/4"	ANSI B1.20.3	PLSX.2531.012	1336	11	PLSX.2531.013	1096	20

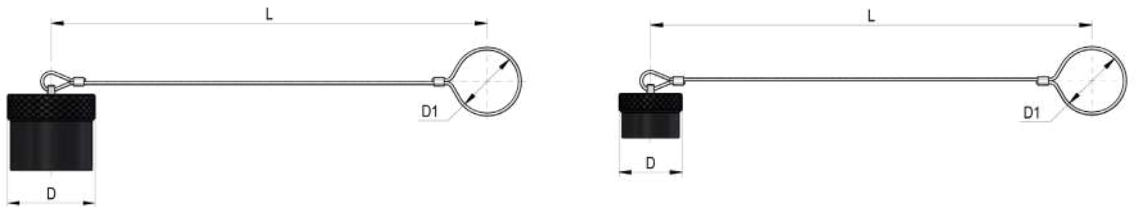
PLSX DN50 - BG 8 - ISO 50


F	STANDARD	FEMMINA - FEMALE - MUFFE - FEMELLE			MASCHIO - MALE - STECKER - MALE		
		COD. F	Weight (g)	Packaging (pcs)	COD. M	Weight (g)	Packaging (pcs)
BSP 1 1/2"	DIN 3852-2-X	PLSX.5039.112	5600	4	PLSX.5939.113	2030	8
NPT 1 1/2"	ANSI B1.20.3	PLSX.5039.012	5620	4	PLSX.5039.013	2044	8
BSP 2"	DIN 3852-2-X	PLSX.5051.112	5360	4	PLSX.5051.113	1800	8
NPT 2"	ANSI B1.20.3	PLSX.5051.012	5370	4	PLSX.5051.013	1810	8

PLASTIC CAPS

NOMINAL SIZE		FEMALE DUST PLUG				MALE DUST CAP				COLOR	MATERIAL			
DNP	BG	ISO	COD. F	Dimensions			Weight	COD. M	Dimensions			Weight		
				D	L	D1	(g)		D	L	D1	(g)		
06	1	6.3	SPLS.06002*	38	260	26	35	SPLS.06003*	28	260	26	25	●	PVC
10	2	10	SPLS.10002*	50	315	35	57	SPLS.10003*	32	315	35	30	●	PVC
13	3	12.5	SPLS.13002*	59	300	42	78	SPLS.13003*	42	300	42	43	●	PVC
20	4	19	SPLS.20002*	70	430	55	108	SPLS.20003*	50	430	55	58	●	PVC
25	5	25	SPLS.25002	79	390	60	130	SPLS.25003	56	390	60	68	●	PVC
50	8	50	SPLS.50002	120	315	100	230	SPLS.50003	85	360	80	220	●	PVC

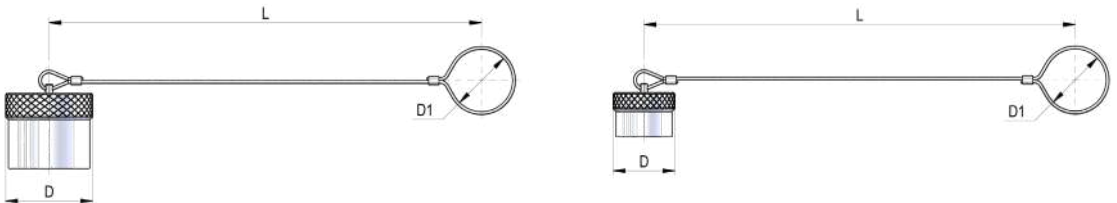
*REALIZZATI SU RICHIESTA DEL CLIENTE
 *AVAILABLE ON REQUEST
 *AUF ANFRAGE LIEFERBAR
 *DISPONIBLES SUR DEMANDE



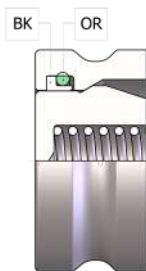
METAL CAPS

NOMINAL SIZE		FEMALE DUST PLUG				MALE DUST CAP				MATERIAL			
DNP	BG	ISO	COD. F	Dimensions			Weight	COD. M	Dimensions			Weight	
				D	L	D1	(g)		D	L	D1	(g)	
06	1	6.3	SPLS.06202*	38	260	26	35	SPLS.06203*	28	260	26	28	Aluminum
10	2	10	SPLS.10202*	50	315	35	106	SPLS.10203*	32	315	35	43	Aluminum
13	3	12.5	SPLS.13202*	59	300	42	116	SPLS.13203*	42	300	42	66	Aluminum
20	4	19	SPLS.20202*	70	430	55	190	SPLS.20203*	50	430	55	92	Aluminum
25	5	25	SPLS.25202*	79	390	60	205	SPLS.25203*	56	390	60	118	Aluminum

*REALIZZATI SU RICHIESTA DEL CLIENTE
 *AVAILABLE ON REQUEST
 *AUF ANFRAGE LIEFERBAR
 *DISPONIBLES SUR DEMANDE

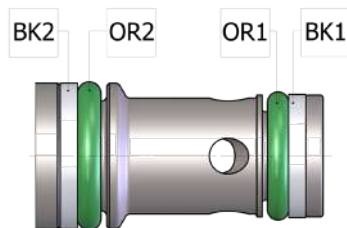


SPARE PARTS



NOMINAL SIZE		MALE GASKET		
DNP	BG	ISO	OR (NBR*)	BK (PTFE)
06	1	6.3	PLT.304.030 V	PLS.006.130
10	2	10	PLS.010.120 V	PLS.010.130
13	3	12.5	PLT.025.120 V	PLS.013.130
20	4	19	PVT.019.122 V	PLS.019.130
25	5	25	PLS.025.120 V	PLS.025.130
50	8	50	PVT.030.121 V	PLS.050.130

*AL CODICE DELLA GUARNIZIONE IN NBR AGGIUNGERE 'E' PER EPDM O 'V' PER VITON
 *TO THE NBR GASKET CODE ADD 'E' FOR EPDM OR 'V' FOR VITON
 *ZU DER ARTIKELNR. DER NBR DICHTUNG GEBEN SIE 'E' FUER EPDM ODER 'V' FUER VITON AN
 *AU CODE DU JOINT EN NBR JOINDRE 'E' POUR EPDM OU 'V' POUR VITON



NOMINAL SIZE		FEMALE GASKET		FEMALE GASKET		
DNP	BG	ISO	OR1 (NBR*)	BK1 (PTFE)	OR2 (NBR*)	BK2 (PTFE)
06	1	6.3	PLS.006.210 V	PLS.006.132	PLS.006.121 V	PLS.006.131
10	2	10	PLS.010.210 V	PLS.010.132	PVS.306.030 V	PLT.013.131 N
13	3	12.5	PBV.004.120 V	PLS.013.132	PBV.006.120 V	PLS.013.131
20	4	19	VVT.013.120 V	PLS.019.132	PLK.025.121 V	PLS.019.131
25	5	25	PLS.025.210 V	PLS.025.132	PVT.019.122 V	PLS.025.131

*AL CODICE DELLA GUARNIZIONE IN NBR AGGIUNGERE 'E' PER EPDM O 'V' PER VITON
 *TO THE NBR GASKET CODE ADD 'E' FOR EPDM OR 'V' FOR VITON
 *ZU DER ARTIKELNR. DER NBR DICHTUNG GEBEN SIE 'E' FUER EPDM ODER 'V' FUER VITON AN
 *AU CODE DU JOINT EN NBR JOINDRE 'E' POUR EPDM OU 'V' POUR VITON